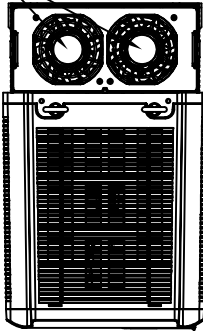
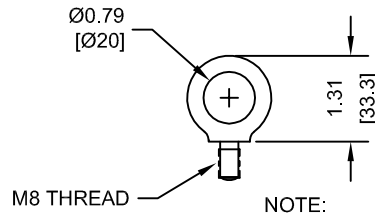


(2) EXTERNAL COOLING FANS

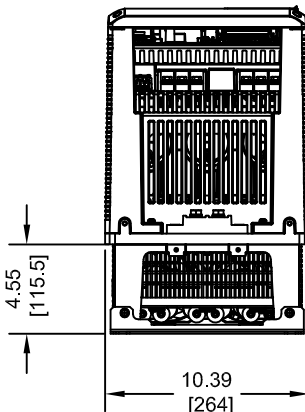
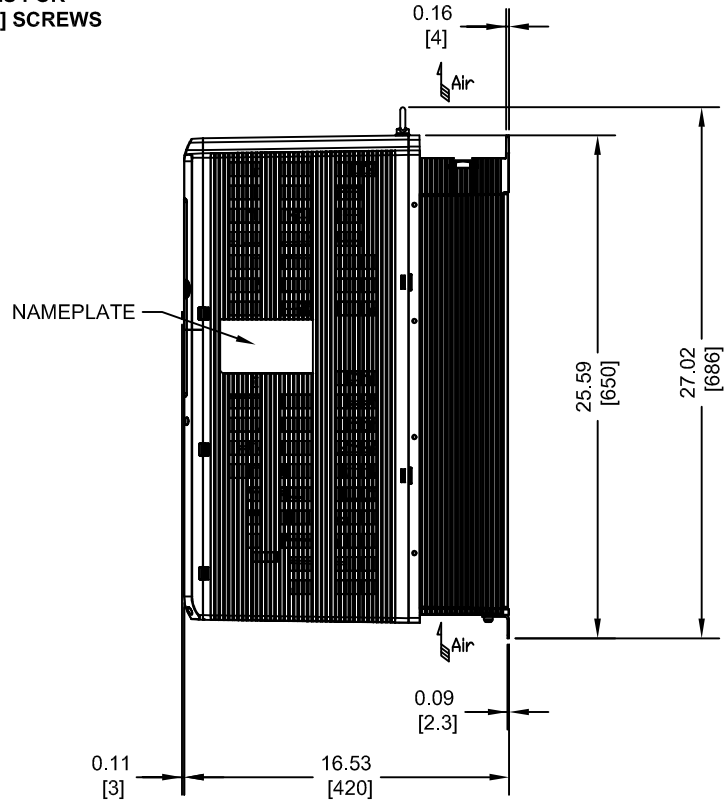
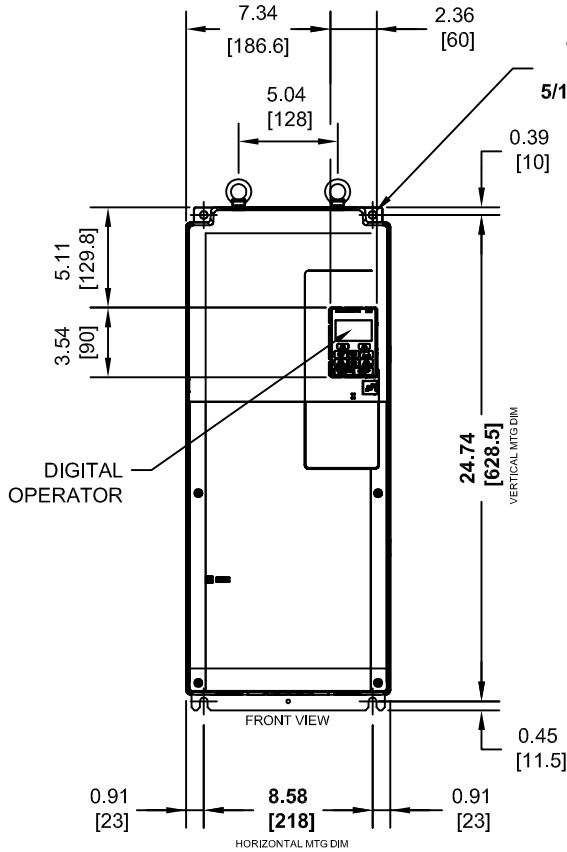


LIFTING AND EYEBOLT DETAILS



NOTE:
SPREADER BAR REQUIRED TO AVOID DAMAGE DURING LIFTING

(4)-MOUNTING HOLES FOR 5/16" [M8] SCREWS



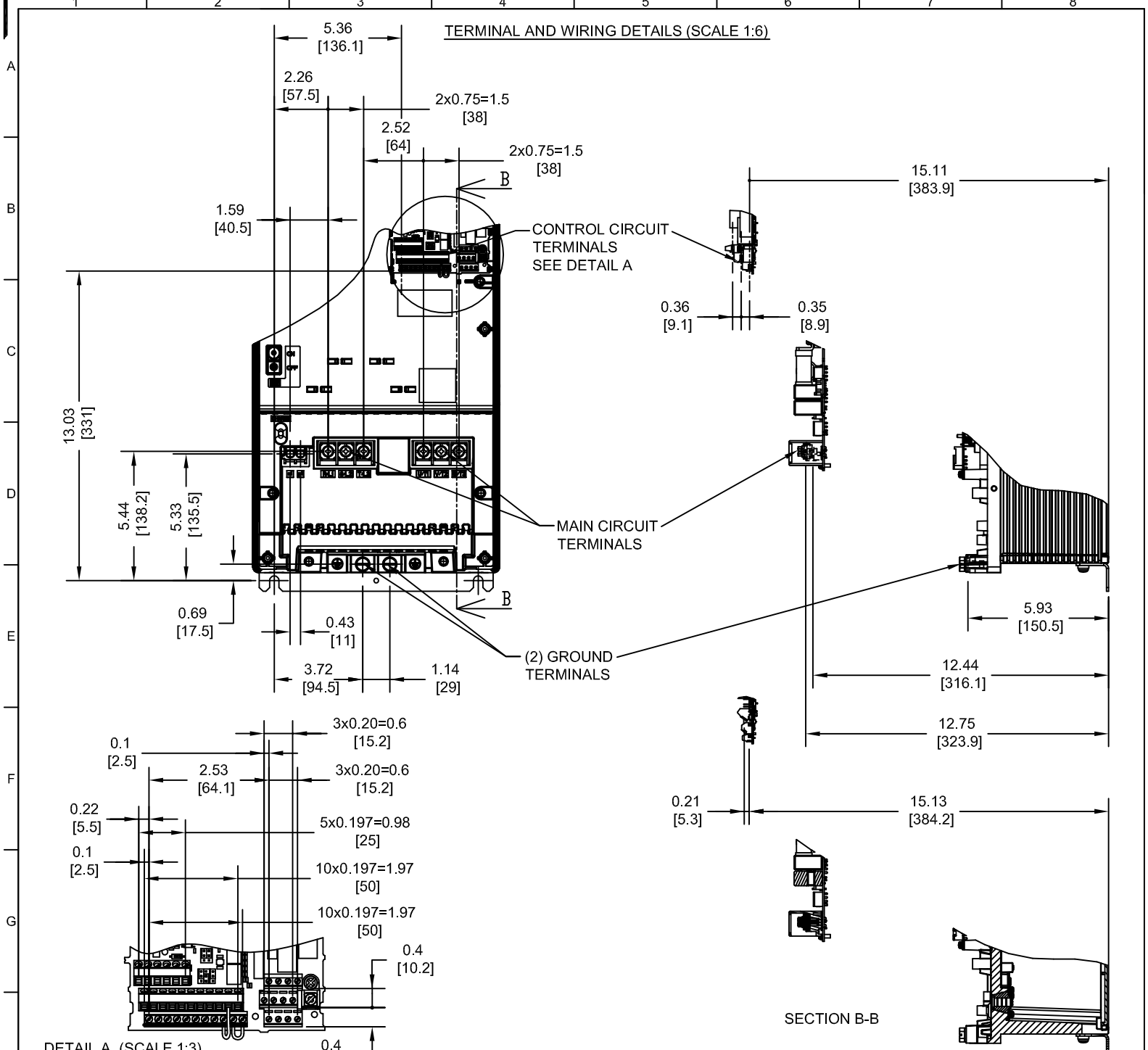
MODEL # CIMR-UW	VOLTAGE 3-PHASE (VAC)	OUTPUT CURRENT (A)	WEIGHT LBS (Kg)	HEAT LOSS (W) (Fc=4kHz)		
				INT	EXT	TOT
2□0042□□□	200/240	42	70 (32)	168	854	1022
2□0054□□□		54	70 (32)	195	1037	1232
2□0068□□□		68	77 (35)	225	1295	1520
2□0081□□□		81	77 (35)	238	1420	1658
4□0040□□□	380/500	40	70 (32)	174	877	1051
4□0052□□□		52	70 (32)	209	1109	1318
4□0065□□□		65	77 (35)	240	1369	1609
4□0077□□□		77	77 (35)	251	1479	1730

NOTES:
□ DENOTES A-Z
□□ DENOTES AAA-ZZZ

INT=INTERNAL COMPONENTS
EXT=EXTERNAL HEATSINK
TOT=TOTAL

FOR ADDITIONAL DETAILS AND SPECIFICATIONS, CONSULT MANUAL

TOLERANCES / REFERENCES:		YASKAWA	DRAWN: J. MATTAS	DATE 9-22-16	TITLE: U1000 iQpump DIMENSION DRAWING FRAME SIZE 2 IP00 ENCLOSURE		
			CHECKED: J. PIOTROWSKI	DATE 9-29-16	2□0042 - 2□0081, 4□0040 - 4□0077		
		THIS DOCUMENT AND INFORMATION CONTAINED IN IT ARE CONFIDENTIAL, AND CANNOT BE COPIED OR DISCLOSED IN WHOLE OR IN PART WITHOUT THE EXPRESS WRITTEN CONSENT OF YASKAWA AMERICA, INC.	TECH: J. BORJA	DATE 10-3-16	SIZE A	REVISION R00	PAGE 1 of 3
UNITS: IN[mm]	SCALE: 1:10		APPROVED: J. CAIRO	DATE 10-20-16	DRAWING #: DD.UW1K.FR2.IP00		
		ORIGINAL DESIGN: -	DATE -				



DETAIL A (SCALE 1:3)
CONTROL CIRCUIT TERMINALS

TERMINAL AND WIRE SPECIFICATIONS FOR
MAIN CIRCUIT AND GROUND

MODEL # CIMR-UW	TERMINAL SYMBOL	TERMINAL SCREW	CLAMPING TORQUE lb.in.(N.m.)	WIRE RANGE AWG(mm ²)
2□0042	R/L1, S/L2, T/L3	M6	35.4 TO 53.1 (4 TO 6)	10 TO 4 (6 TO 25)
2□0054	U/T1, V/T2, W/T3			
2□0068	p1, n1	M4	8.9 TO 12.4 (1 TO 1.4)	14 TO 12 (2.5 TO 4)
2□0081				
4□0040	⊕	M8	78.1 TO 95.5 (8.8 TO 10.8)	10 TO 4 (6 TO 25)
4□0052				
4□0065				
4□0077				

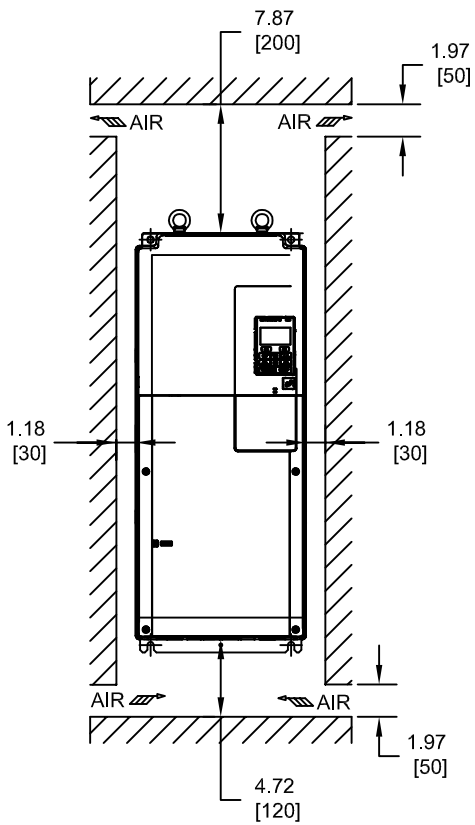
NOTE: REFER TO APPLICABLE CODES FOR PROPER WIRE TYPE AND SIZE

FOR ADDITIONAL DETAILS AND SPECIFICATIONS, CONSULT MANUAL

TOLERANCES / REFERENCES:		YASKAWA	DRAWN: J. MATTAS	DATE 9-22-16	TITLE: U1000 iQpump DIMENSION DRAWING FRAME SIZE 2 IP00 ENCLOSURE	
			CHECKED: J. PIOTROWSKI	DATE 9-29-16	2□0042 - 2□0081, 4□0040 - 4□0077	
		TECH: J. BORJA		DATE 10-3-16	SIZE A	REVISION R00
		APPROVED: J. CAIRO		DATE 10-20-16	PAGE 2 of 3	
UNITS: IN[mm]	SCALE: BY VIEW	ORIGINAL DESIGN: -		DATE -	DRAWING #: DD.UW1K.FR2.IP00	

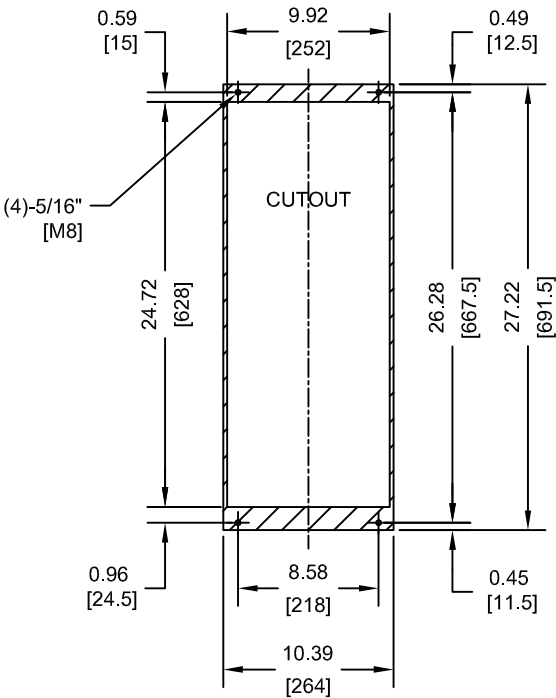
THIS DOCUMENT AND INFORMATION CONTAINED
IN IT ARE CONFIDENTIAL, AND CANNOT BE
COPIED OR DISCLOSED IN WHOLE OR IN PART
WITHOUT THE EXPRESS WRITTEN CONSENT
OF YASKAWA AMERICA, INC.

MINIMUM INSTALLATION CLEARANCES (SCALE 1:12)



NOTE:
FOR SIDE-BY-SIDE MOUNTING
CONSULT MANUAL

PANEL CUTOUT FOR EXTERNAL HEATSINK
MOUNTING CONFIGURATION (SCALE 1:12)



- NOTES:
- EXTERNAL HEATSINK CONFIGURATION REQUIRES MOUNTING KIT
 - EXPOSED HEATSINK RECOMMENDED CLEARANCE D=5.12"

FOR ADDITIONAL DETAILS AND SPECIFICATIONS, CONSULT MANUAL

TOLERANCES / REFERENCES:		YASKAWA	DRAWN: J. MATTAS	DATE: 9-22-16	TITLE: U1000 iQpump DIMENSION DRAWING	
			CHECKED: J. PIOTROWSKI	DATE: 9-29-16	FRAME SIZE 2	
		TECH: J. BORJA		DATE: 10-3-16	IP00 ENCLOSURE	
		APPROVED: J. CAIRO		DATE: 10-20-16	2□0042 - 2□0081, 4□0040 - 4□0077	
UNITS: IN[mm]	SCALE: BY VIEW	ORIGINAL DESIGN: -		DATE: -	SIZE: A	REVISION: R00
				PAGE: 3 of 3		DRAWING #: DD.UW1K.FR2.IP00