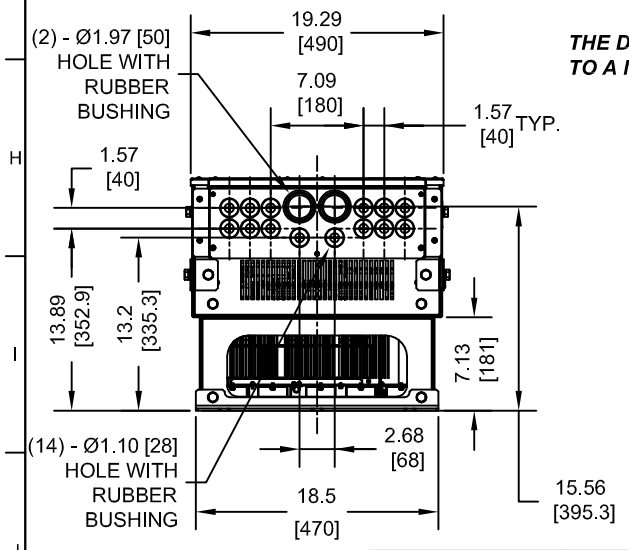
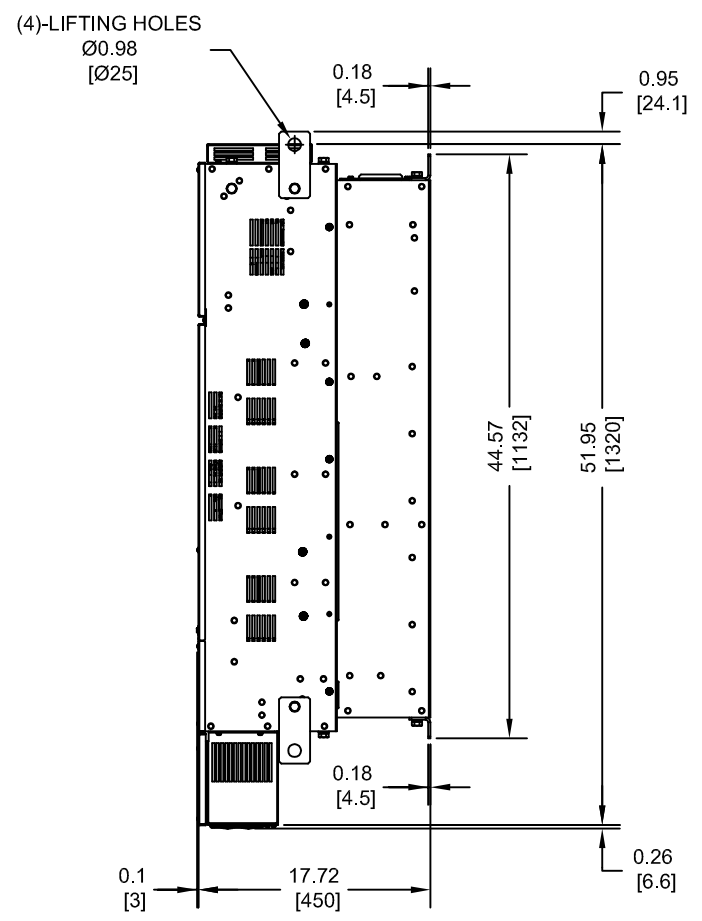
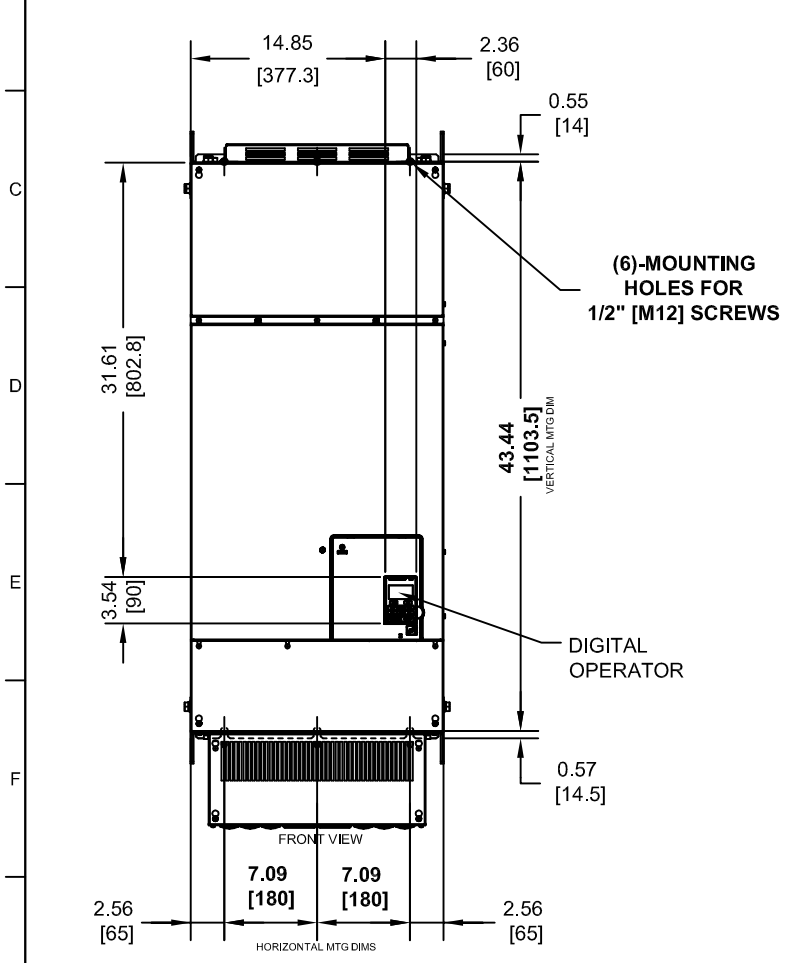


LIFTING NOTES:
 1. SPREADER BAR REQUIRED TO AVOID DAMAGE DURING LIFTING.
 2. FOUR (4) LIFTING BRACKETS NEEDED ON TOP SIDE FOR VERTICAL LIFTING. REFER TO MANUAL FOR DETAILS.



THE DIMENSIONS SHOWN ARE FOR AN IP00 OPEN TYPE DRIVE THAT HAS BEEN CONVERTED TO A NEMA TYPE 1 DRIVE BY ADDING THE PARTS FROM NEMA 1 KIT PART NUMBER EZZ022745E

MODEL # CIMR-UW	VOLTAGE 3-PHASE (VAC)	OUTPUT CURRENT (A)	WEIGHT LBS (Kg)	HEAT LOSS (W) (Fc=4kHz)		
				INT	EXT	TOT
2□0248□□□	200/240	248	398 (180)	578	3785	4363
4□0216□□□	380/500	216	398 (180)	587	3720	4307
4□0240□□□		240	398 (180)	600	3897	4497

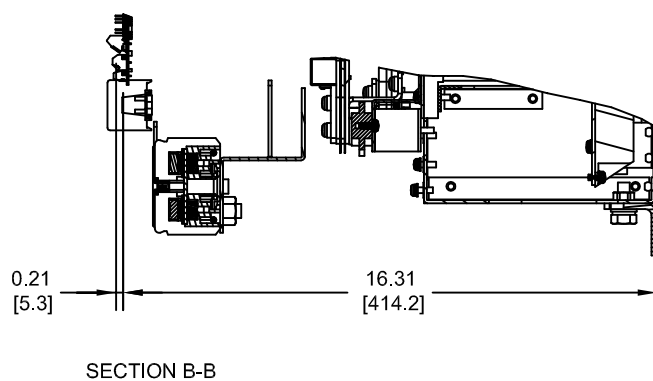
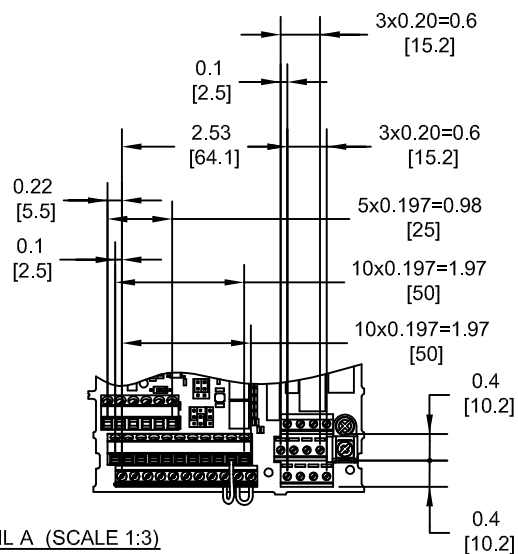
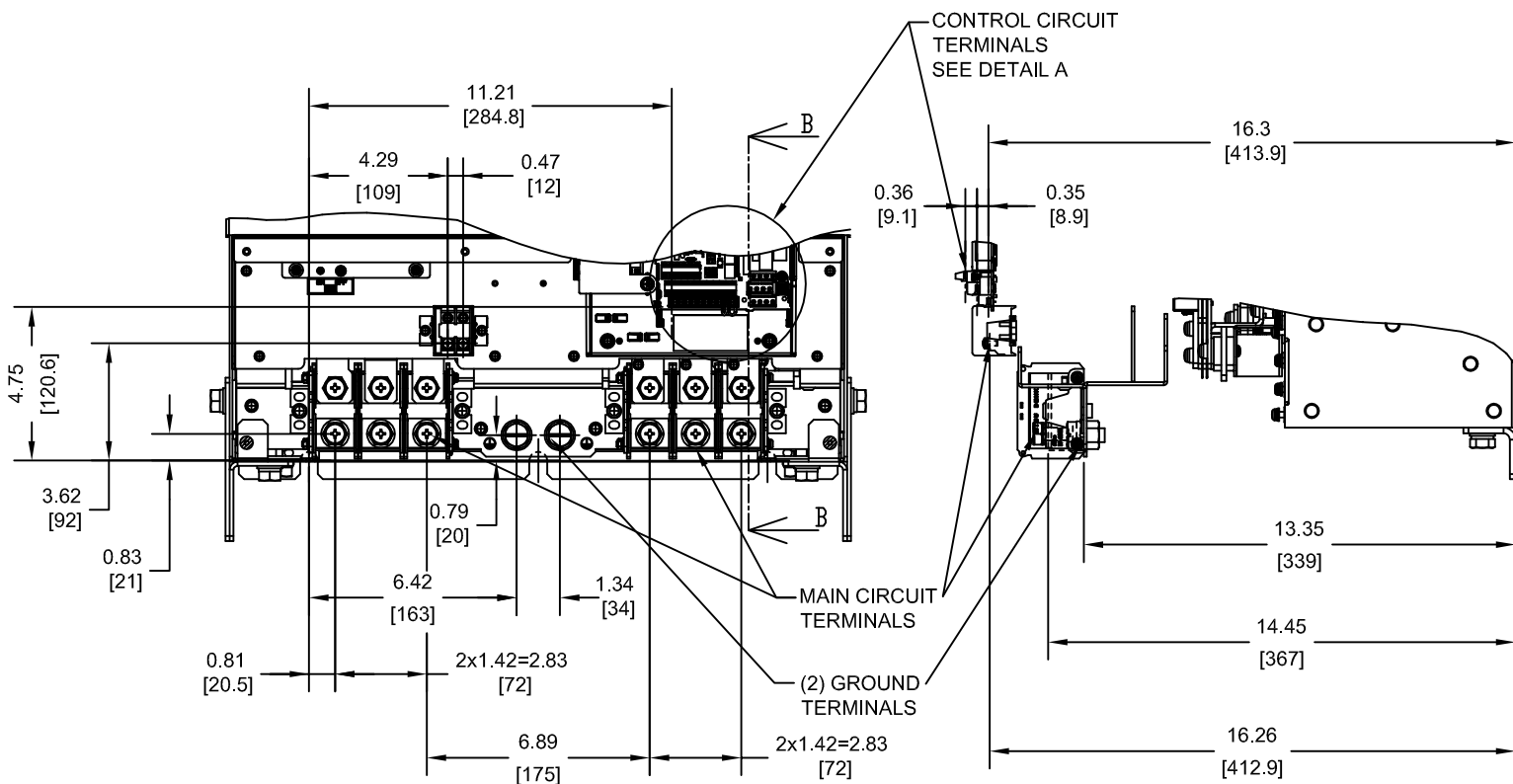
NOTES:
 □ DENOTES A-Z
 □□ DENOTES AAA-ZZZ

INT=INTERNAL COMPONENTS
 EXT=EXTERNAL HEATSINK
 TOT=TOTAL

FOR ADDITIONAL DETAILS AND SPECIFICATIONS, CONSULT MANUAL

TOLERANCES / REFERENCES:		YASKAWA	DRAWN: J. MATTAS	DATE 9-26-16	TITLE: U1000 iQpump DIMENSION DRAWING			
UNITS: IN[mm]	SCALE: 1:15		CHECKED: J. PIOTROWSKI	DATE 9-29-16	FRAME SIZE 4.5			
		THIS DOCUMENT AND INFORMATION CONTAINED IN IT ARE CONFIDENTIAL, AND CANNOT BE COPIED OR DISCLOSED IN WHOLE OR IN PART WITHOUT THE EXPRESS WRITTEN CONSENT OF YASKAWA AMERICA, INC.		TECH: J. BORJA	DATE 10-3-16	NEMA TYPE 1 ENCLOSURE		
				APPROVED: J. CAIRO	DATE 10-20-16	SIZE A	REVISION R00	PAGE 1 of 3
				ORIGINAL DESIGN: -	DATE -	DRAWING #: DD.UW1K.FR4.5.N1		

TERMINAL AND WIRING DETAILS (SCALE 1:6)



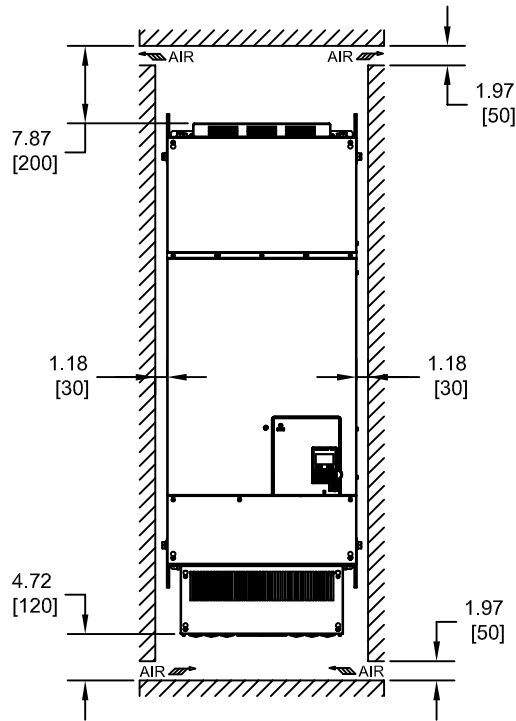
TERMINAL AND WIRE SPECIFICATIONS FOR MAIN CIRCUIT AND GROUND

MODEL # CIMR-UW	TERMINAL SYMBOL	TERMINAL SCREW	CLAMPING TORQUE lb.in.(N.m.)	WIRE RANGE AWG(mm ²)
2□0248 4□0216 4□0240	R/L1, S/L2, T/L3	M10	133 TO 177 (15 TO 20)	10 TO 4/0 (6 TO 95)
	U/T1, V/T2, W/T3			
	p1, n1	M4	10.6 TO 17.7 (1.2 TO 2.0)	14 TO 12 (2.5 TO 4)
	⊕	M12	278 TO 347 (31.4 TO 39.2)	4 TO 4/0 (25 TO 95)

NOTE: REFER TO APPLICABLE CODES FOR PROPER WIRE TYPE AND SIZE

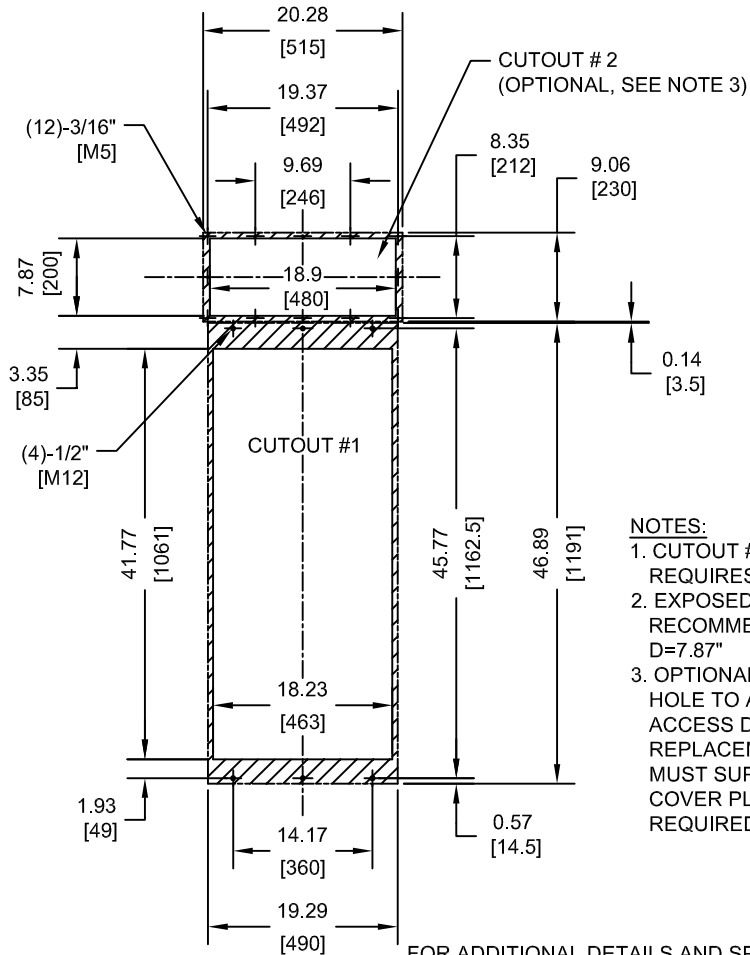
TOLERANCES / REFERENCES:		YASKAWA	DRAWN: J. MATTAS	DATE 9-26-16	TITLE: U1000 iQpump DIMENSION DRAWING FRAME SIZE 4.5 NEMA TYPE 1 ENCLOSURE		
			CHECKED: J. PIOTROWSKI	DATE 9-29-16	2□0248, 4□0216 AND 4□0240		
		THIS DOCUMENT AND INFORMATION CONTAINED IN IT ARE CONFIDENTIAL, AND CANNOT BE COPIED OR DISCLOSED IN WHOLE OR IN PART WITHOUT THE EXPRESS WRITTEN CONSENT OF YASKAWA AMERICA, INC.	TECH: J. BORJA	DATE 10-3-16	SIZE A	REVISION R00	PAGE 2 of 3
UNITS: IN[mm]	SCALE: BY VIEW		APPROVED: J. CAIRO	DATE 10-20-16	DRAWING #: DD.UW1K.FR4.5.N1		
		ORIGINAL DESIGN:	DATE				

MINIMUM INSTALLATION CLEARANCES (SCALE 1:20)



NOTE:
FOR SIDE-BY-SIDE MOUNTING
CONSULT MANUAL

PANEL CUTOUT FOR EXTERNAL HEATSINK
MOUNTING CONFIGURATION (SCALE 1:20)



NOTES:

1. CUTOUT #1: EXTERNAL HEATSINK, REQUIRES MOUNTING KIT
2. EXPOSED HEATSINK RECOMMENDED CLEARANCE D=7.87"
3. OPTIONAL CUTOUT #2 IS AN ACCESS HOLE TO ALLOW FOR FRONT ACCESS DURING HEATSINK COOLING FAN REPLACEMENT. THE PANEL BUILDER MUST SUPPLY THE APPROPRIATE COVER PLATE AND HARDWARE REQUIRED TO CLOSE THIS OPENING.

FOR ADDITIONAL DETAILS AND SPECIFICATIONS, CONSULT MANUAL

TOLERANCES / REFERENCES:		YASKAWA	DRAWN: J. MATTAS	DATE 9-26-16	TITLE: U1000 iQpump DIMENSION DRAWING		
			CHECKED: J. PIOTROWSKI	DATE 9-29-16	FRAME SIZE 4.5		
		TECH: J. BORJA		DATE 10-3-16	NEMA TYPE 1 ENCLOSURE		
		APPROVED: J. CAIRO		DATE 10-20-16	SIZE A	REVISION R00	PAGE 3 of 3
UNITS: IN[mm]	SCALE: BY VIEW	ORIGINAL DESIGN: -		DATE -	DRAWING #: DD.UW1K.FR4.5.N1		

THIS DOCUMENT AND INFORMATION CONTAINED
IN IT ARE CONFIDENTIAL, AND CANNOT BE
COPIED OR DISCLOSED IN WHOLE OR IN PART
WITHOUT THE EXPRESS WRITTEN CONSENT
OF YASKAWA AMERICA, INC.