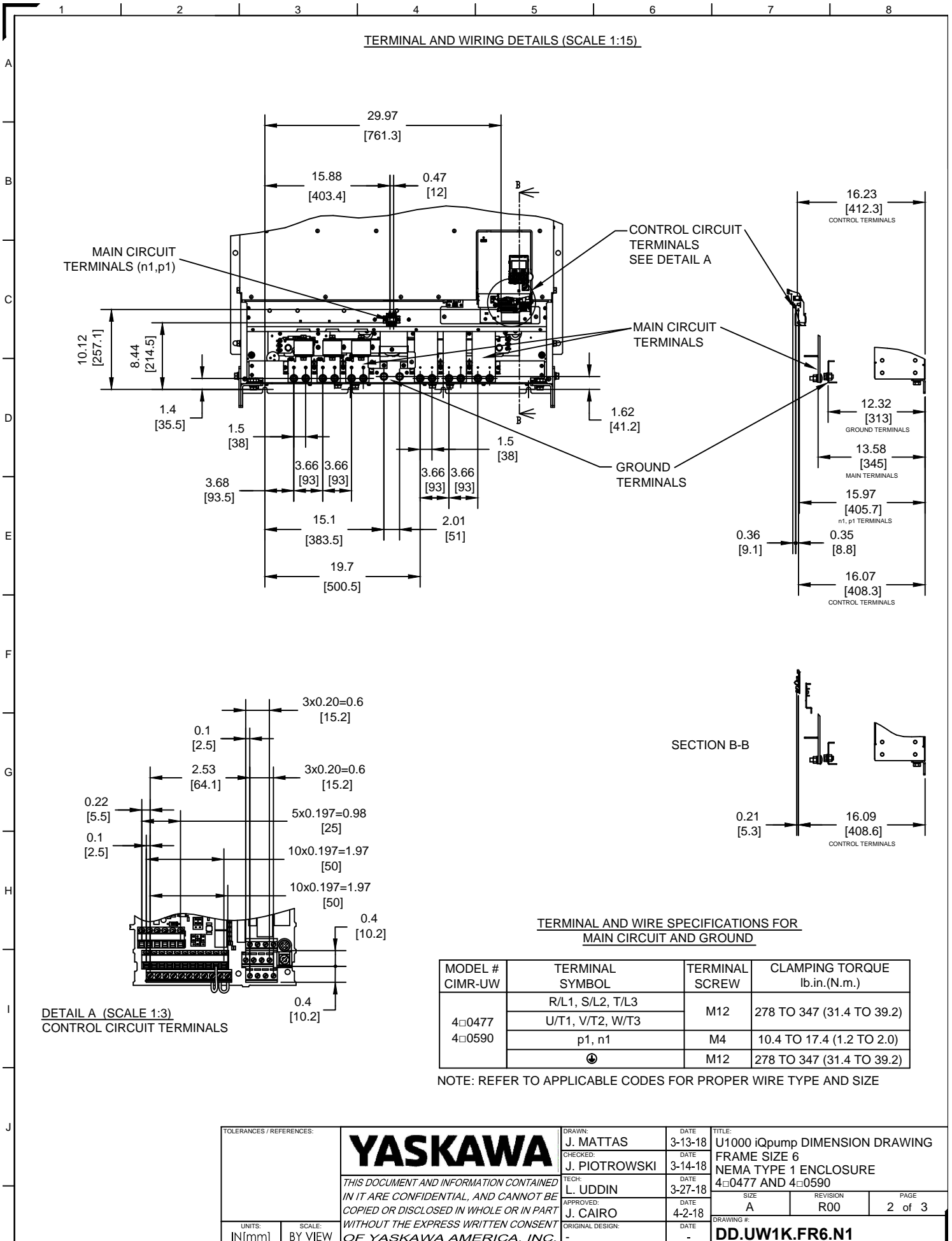


TERMINAL AND WIRING DETAILS (SCALE 1:15)



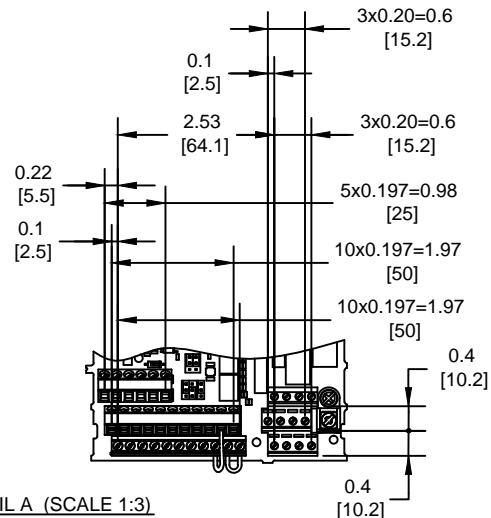
MAIN CIRCUIT TERMINALS (n1,p1)

CONTROL CIRCUIT TERMINALS SEE DETAIL A

MAIN CIRCUIT TERMINALS

GROUND TERMINALS

SECTION B-B



DETAIL A (SCALE 1:3)
CONTROL CIRCUIT TERMINALS

TERMINAL AND WIRE SPECIFICATIONS FOR MAIN CIRCUIT AND GROUND

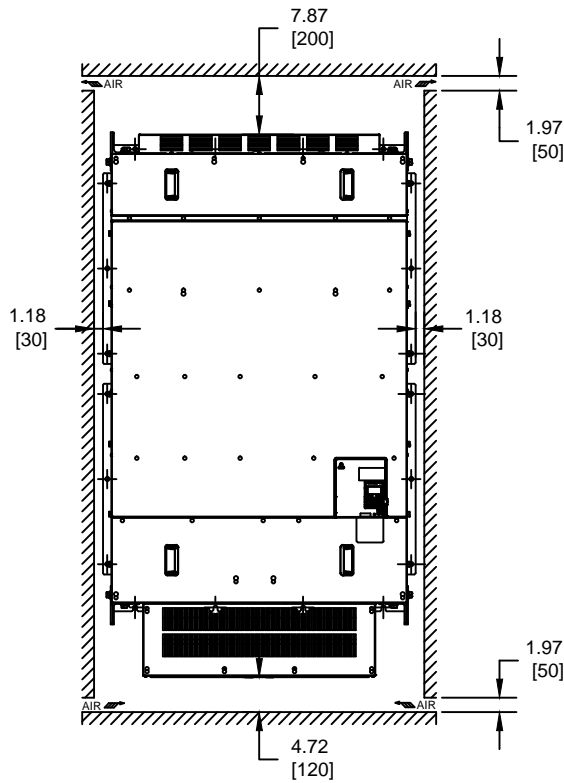
MODEL # CIMR-UW	TERMINAL SYMBOL	TERMINAL SCREW	CLAMPING TORQUE lb.in.(N.m.)
4□0477	R/L1, S/L2, T/L3	M12	278 TO 347 (31.4 TO 39.2)
	U/T1, V/T2, W/T3		
4□0590	p1, n1	M4	10.4 TO 17.4 (1.2 TO 2.0)
	⊕	M12	278 TO 347 (31.4 TO 39.2)

NOTE: REFER TO APPLICABLE CODES FOR PROPER WIRE TYPE AND SIZE

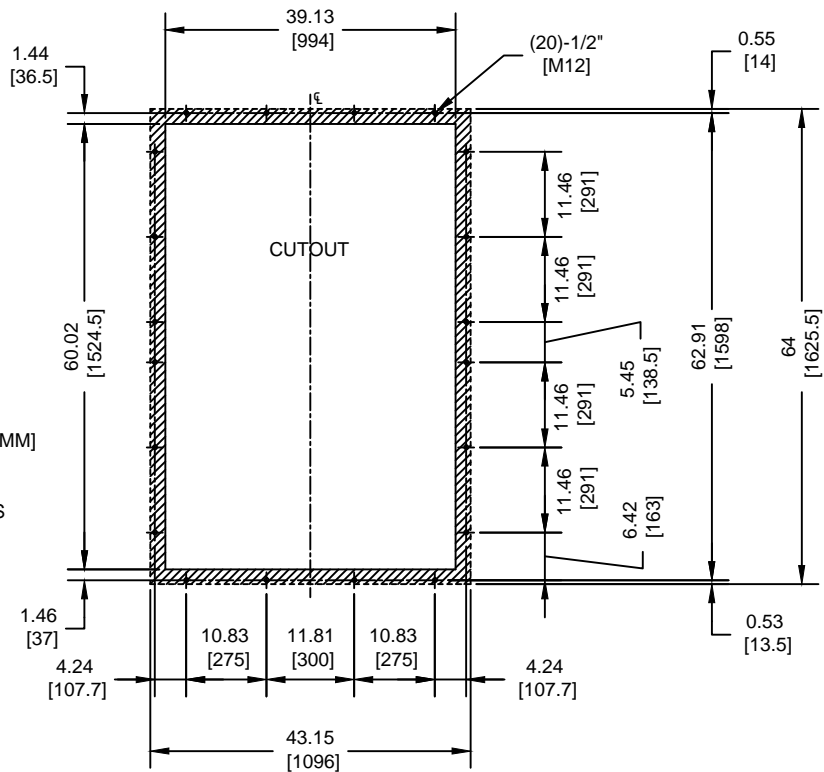
TOLERANCES / REFERENCES:		YASKAWA	DRAWN: J. MATTAS	DATE: 3-13-18	TITLE: U1000 iQpump DIMENSION DRAWING		
			CHECKED: J. PIOTROWSKI	DATE: 3-14-18	FRAME SIZE 6		
		TECH: L. UDDIN		DATE: 3-27-18	NEMA TYPE 1 ENCLOSURE		
		APPROVED: J. CAIRO		DATE: 4-2-18	4□0477 AND 4□0590		
UNITS: IN [mm]	SCALE: BY VIEW	ORIGINAL DESIGN: -	DATE: -	SIZE: A	REVISION: R00	PAGE: 2 of 3	
				DRAWING #: DD.UW1K.FR6.N1			

THIS DOCUMENT AND INFORMATION CONTAINED IN IT ARE CONFIDENTIAL, AND CANNOT BE COPIED OR DISCLOSED IN WHOLE OR IN PART WITHOUT THE EXPRESS WRITTEN CONSENT OF YASKAWA AMERICA, INC.

MINIMUM INSTALLATION CLEARANCES (SCALE 1:25)



PANEL CUTOUT FOR EXTERNAL HEATSINK MOUNTING CONFIGURATION (SCALE 1:25)



NOTES:

1. CUTOUT TOLERANCE: ± 0.02 " [± 0.5 MM]
2. EXPOSED HEATSINK RECOMMENDED CLEARANCE $D=7.09$ " MINUS PANEL THICKNESS

FOR ADDITIONAL DETAILS AND SPECIFICATIONS, CONSULT MANUAL

TOLERANCES / REFERENCES:		YASKAWA	DRAWN:	J. MATTAS	DATE:	3-13-18	TITLE:		
			CHECKED:	J. PIOTROWSKI	DATE:	3-14-18	U1000 iQpump DIMENSION DRAWING		
		TECH:		L. UDDIN	DATE:	3-27-18	FRAME SIZE 6		
		APPROVED:		J. CAIRO	DATE:	4-2-18	NEMA TYPE 1 ENCLOSURE		
		ORIGINAL DESIGN:		-	DATE:	-	SIZE:	REVISION:	PAGE:
UNITS:	SCALE:					DRAWING #:			
IN[mm]	BY VIEW					A		R00	3 of 3
							DD.UW1K.FR6.N1		

THIS DOCUMENT AND INFORMATION CONTAINED IN IT ARE CONFIDENTIAL, AND CANNOT BE COPIED OR DISCLOSED IN WHOLE OR IN PART WITHOUT THE EXPRESS WRITTEN CONSENT OF YASKAWA AMERICA, INC.