

TOLERANCES / REFERENCES:

**YASKAWA**

THIS DOCUMENT AND INFORMATION CONTAINED IN IT ARE CONFIDENTIAL, AND CANNOT BE COPIED OR DISCLOSED IN WHOLE OR IN PART WITHOUT THE EXPRESS WRITTEN CONSENT OF YASKAWA AMERICA, INC.

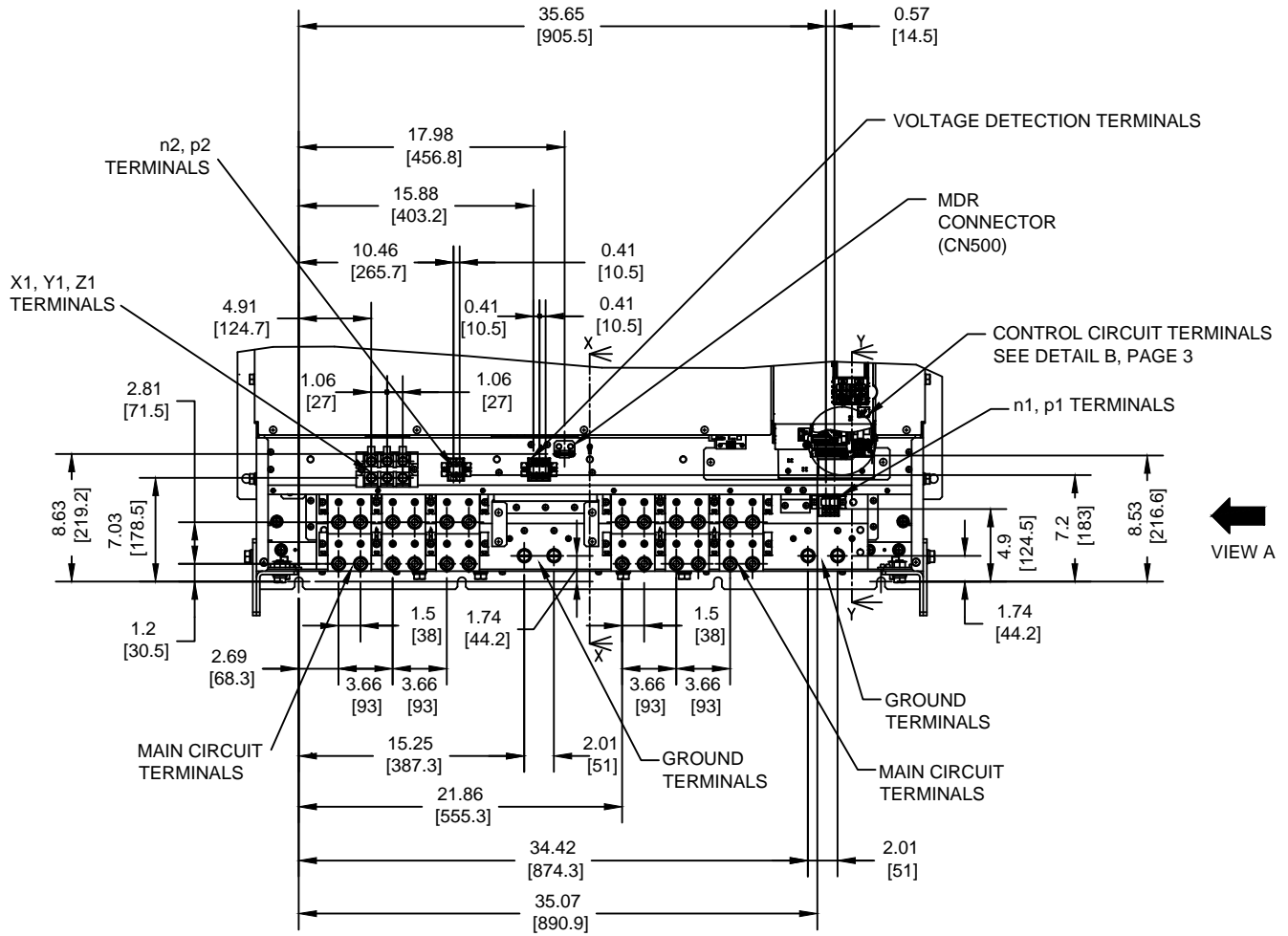
DRAWN: J. MATTAS	DATE 3-13-18
CHECKED: J. PIOTROWSKI	DATE 3-14-18
TECH: L. UDDIN	DATE 3-27-18
APPROVED: J. CAIRO	DATE 4-2-18
ORIGINAL DESIGN: -	DATE -

TITLE: U1000 iQpump DIMENSION DRAWING FRAME SIZE 7 IP00 ENCLOSURE 4□0720, 4□0900 AND 4□0930		
SIZE A	REVISION R00	PAGE 1 of 4
DRAWING #: <b>DD.UW1K.FR7.IP00</b>		

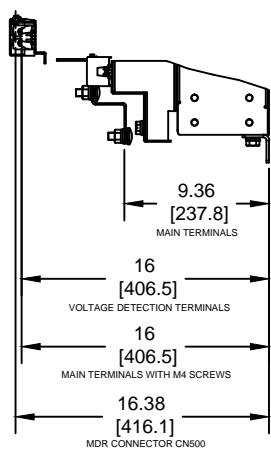
UNITS:  
IN[mm]

SCALE:  
1:25

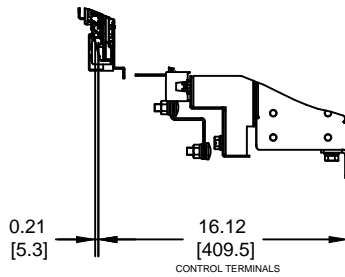
TERMINAL AND WIRING DETAILS (SCALE 1:12)



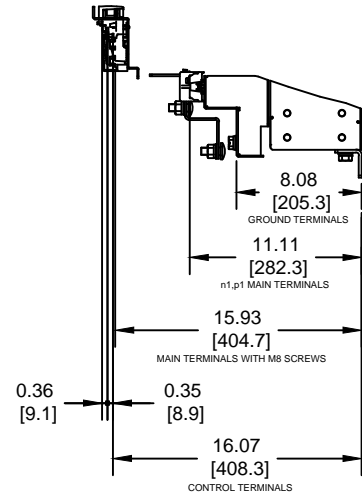
VIEW A ←



SECTION X-X



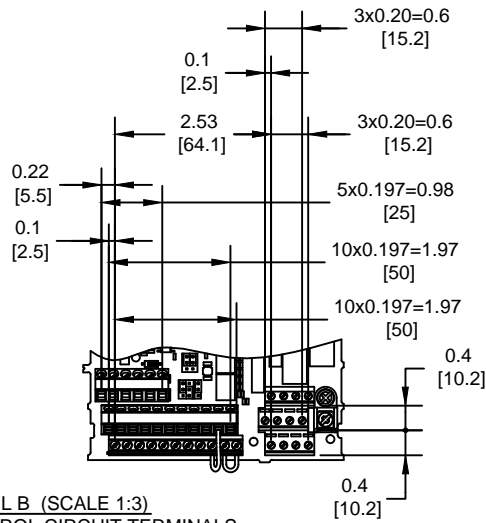
SECTION Y-Y



VIEW A

TOLERANCES / REFERENCES:		<b>YASKAWA</b>	DRAWN:	J. MATTAS	DATE:	3-13-18	TITLE:		
UNITS: IN[mm]			SCALE: BY VIEW	CHECKED:	J. PIOTROWSKI	DATE:	3-14-18	U1000 iQpump DIMENSION DRAWING	
		THIS DOCUMENT AND INFORMATION CONTAINED IN IT ARE CONFIDENTIAL, AND CANNOT BE COPIED OR DISCLOSED IN WHOLE OR IN PART WITHOUT THE EXPRESS WRITTEN CONSENT OF YASKAWA AMERICA, INC.	TECH:	L. UDDIN	DATE:	3-27-18	FRAME SIZE 7		
			APPROVED:	J. CAIRO	DATE:	4-2-18	IP00 ENCLOSURE		
			ORIGINAL DESIGN:	-	DATE:	-	SIZE:	REVISION:	PAGE:
							A	R00	2 of 4
						DRAWING #: DD.UW1K.FR7.IP00			

TERMINAL AND WIRING DETAILS (CONTINUED)



DETAIL B (SCALE 1:3)  
CONTROL CIRCUIT TERMINALS

TERMINAL AND WIRE SPECIFICATIONS FOR  
MAIN CIRCUIT AND GROUND

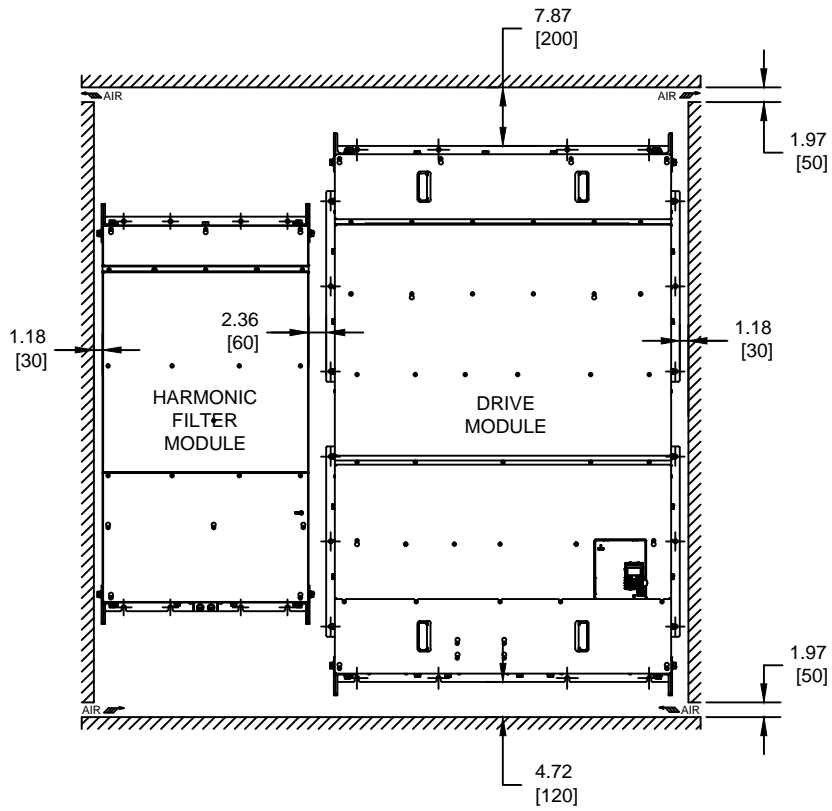
MODEL # CIMR-UW	TERMINAL SYMBOL	TERMINAL SCREW	CLAMPING TORQUE lb.in.(N.m.)
4□0720 4□0900 4□0930	X, Y, Z	M12	278 TO 347 (31.4 TO 39.2)
	U/T1, V/T2, W/T3		
	Ⓢ		
	X1, Y1, Z1	M8	47.8 TO 53.0 (5.4 TO 6.0)
	r1, s1, t1	M4	10.4 TO 17.4 (1.2 TO 2.0)
	p1, n1	M5	17.4 TO 21.7 (2.0 TO 2.5)
	p2, n2	M4	10.4 TO 17.4 (1.2 TO 2.0)

NOTE: REFER TO APPLICABLE CODES FOR PROPER WIRE TYPE AND SIZE

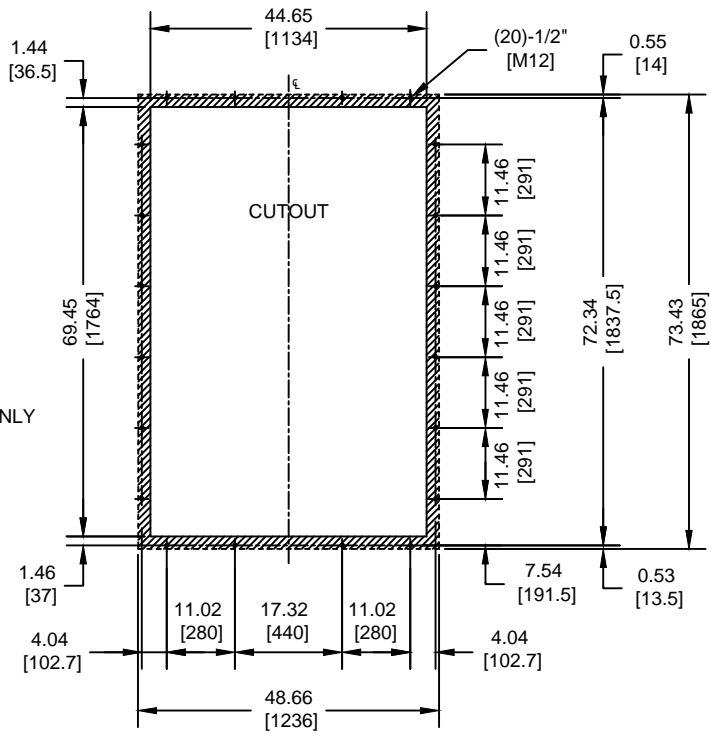
FOR ADDITIONAL DETAILS AND SPECIFICATIONS, CONSULT MANUAL

TOLERANCES / REFERENCES:		<b>YASKAWA</b>	DRAWN: J. MATTAS	DATE 3-13-18	TITLE: U1000 iQpump DIMENSION DRAWING FRAME SIZE 7 IP00 ENCLOSURE 4□0720, 4□0900 AND 4□0930
			CHECKED: J. PIOTROWSKI	DATE 3-14-18	
		THIS DOCUMENT AND INFORMATION CONTAINED IN IT ARE CONFIDENTIAL, AND CANNOT BE COPIED OR DISCLOSED IN WHOLE OR IN PART WITHOUT THE EXPRESS WRITTEN CONSENT OF YASKAWA AMERICA, INC.	TECH: L. UDDIN	DATE 3-27-18	SIZE A
			APPROVED: J. CAIRO	DATE 4-2-18	
UNITS: IN[mm]	SCALE: BY VIEW	ORIGINAL DESIGN: -	DATE -	PAGE 3 of 4	
				DRAWING #: <b>DD.UW1K.FR7.IP00</b>	

MINIMUM INSTALLATION CLEARANCES (SCALE 1:25)



PANEL CUTOUT FOR EXTERNAL HEATSINK MOUNTING CONFIGURATION (SCALE 1:30)



NOTES:

1. CUTOUT DETAIL IS FOR DRIVE MODULE ONLY
2. CUTOUT TOLERANCE:  $\pm 0.02$ " [ $\pm 0.5$ MM]
3. EXPOSED HEATSINK RECOMMENDED CLEARANCE  $D=6.69$ " MINUS PANEL THICKNESS

FOR ADDITIONAL DETAILS AND SPECIFICATIONS, CONSULT MANUAL

TOLERANCES / REFERENCES:		<b>YASKAWA</b>	DRAWN: J. MATTAS	DATE 3-13-18	TITLE: U1000 iQpump DIMENSION DRAWING		
			CHECKED: J. PIOTROWSKI	DATE 3-14-18	FRAME SIZE 7		
		TECH: L. UDDIN		DATE 3-27-18	IP00 ENCLOSURE		
		APPROVED: J. CAIRO		DATE 4-2-18	4□0720, 4□0900 AND 4□0930		
UNITS: IN[mm]	SCALE: BY VIEW	ORIGINAL DESIGN: -		DATE -	SIZE A	REVISION R00	PAGE 4 of 4
					DRAWING #: <b>DD.UW1K.FR7.IP00</b>		
THIS DOCUMENT AND INFORMATION CONTAINED IN IT ARE CONFIDENTIAL, AND CANNOT BE COPIED OR DISCLOSED IN WHOLE OR IN PART WITHOUT THE EXPRESS WRITTEN CONSENT OF YASKAWA AMERICA, INC.							