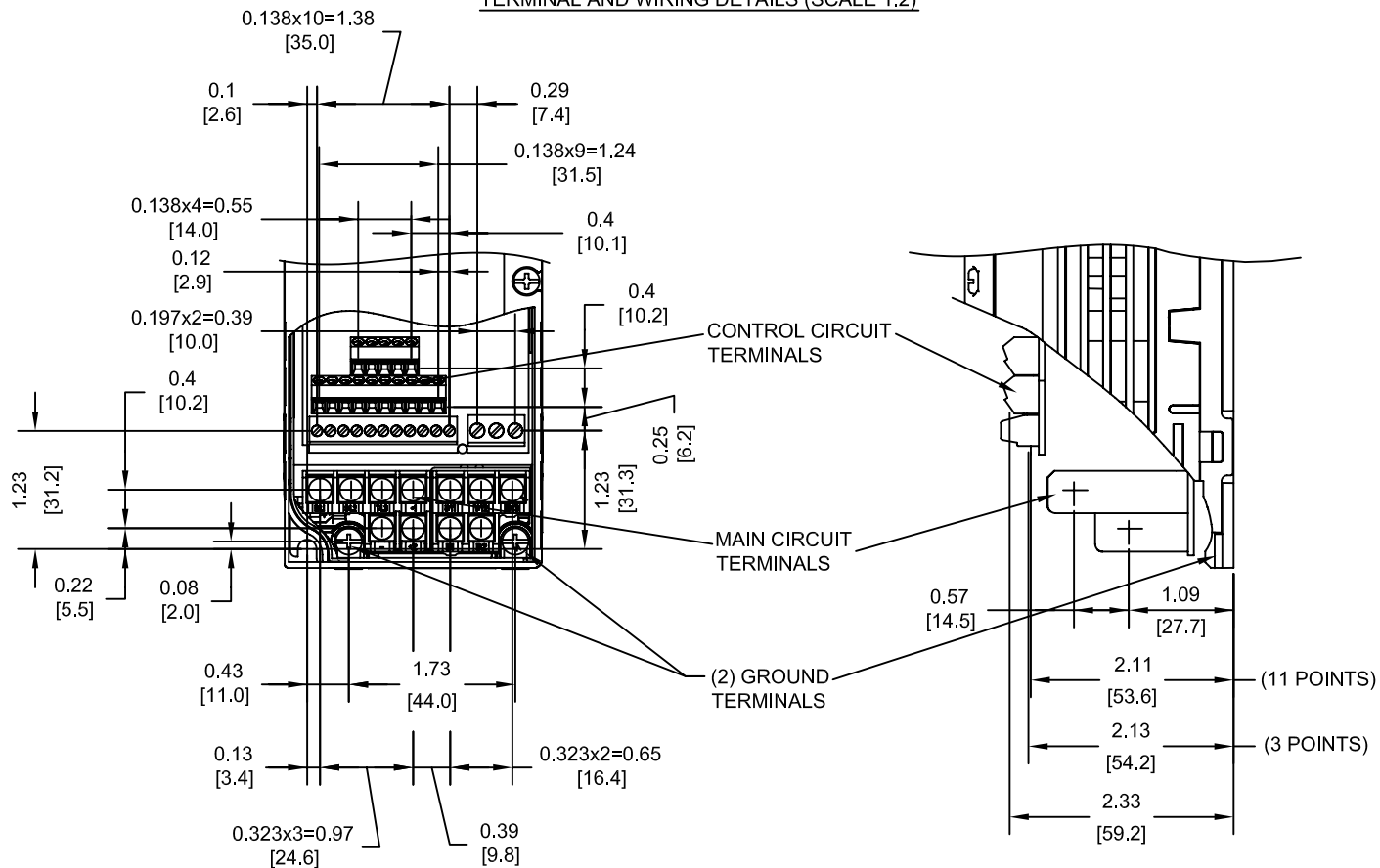


		208/240									
		THREE-PHASE									
2A0004JXX		3.5	3.0	1.5 (0.7)	13.6	15.8	29.4	11.5	16.2	27.7	
2A0006JXX		6.0	5.0	1.5 (0.7)	17.2	27.5	44.7	15.9	27.4	43.3	

TERMINAL AND WIRING DETAILS (SCALE 1:2)



TERMINAL AND WIRE SPECIFICATIONS FOR MAIN CIRCUIT AND GROUND

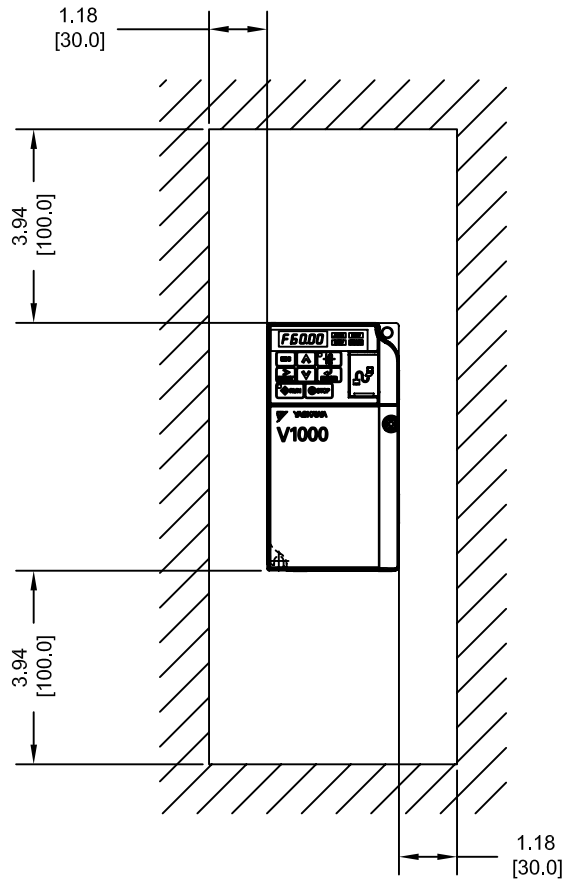
MODEL # CIMR-VU	TERMINAL SCREW	CLAMPING TORQUE lb.in.(N.m.)	WIRE RANGE AWG(mm ²)
BA0001J	M3.5	7.1 TO 8.9 (0.8 TO 1.0)	22-14 (0.33-2.0)
BA0002J	M3.5	7.1 TO 8.9 (0.8 TO 1.0)	22-14 (0.33-2.0)
2A0001J	M3.5	7.1 TO 8.9 (0.8 TO 1.0)	22-14 (0.33-2.0)
2A0002J	M3.5	7.1 TO 8.9 (0.8 TO 1.0)	22-14 (0.33-2.0)
2A0004J	M3.5	7.1 TO 8.9 (0.8 TO 1.0)	22-14 (0.33-2.0)
2A0006J	M3.5	7.1 TO 8.9 (0.8 TO 1.0)	22-14 (0.33-2.0)

NOTE: RATINGS APPLY TO BOTH FACTORY AND FIELD WIRING
 REFER TO APPLICABLE CODES FOR PROPER WIRE TYPE AND SIZE

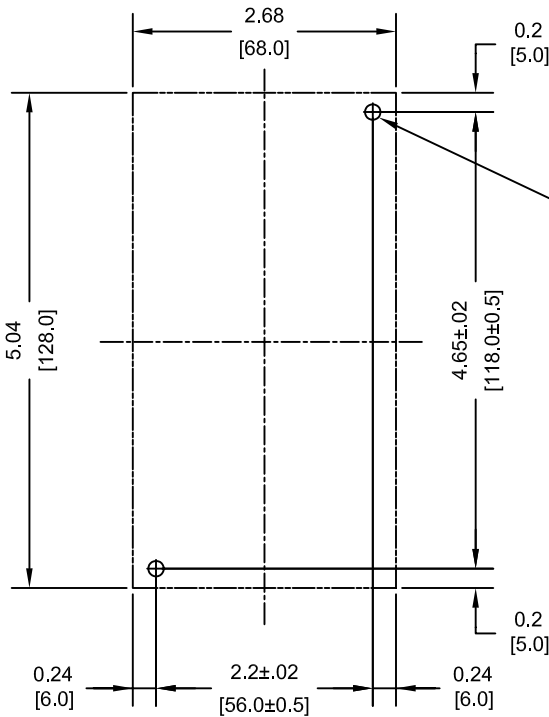
FOR ADDITIONAL DETAILS AND SPECIFICATIONS, CONSULT MANUAL

TOLERANCES / REFERENCES:	<p>YASKAWA The Drive for Quality™</p> <p><i>THIS DOCUMENT AND INFORMATION CONTAINED IN IT ARE CONFIDENTIAL, AND CANNOT BE COPIED OR DISCLOSED IN WHOLE OR IN PART WITHOUT THE EXPRESS WRITTEN CONSENT OF YASKAWA ELECTRIC AMERICA INC.</i></p>	DRAWN: J. MATTAS	DATE 1-5-09	TITLE: V1000 DIMENSION DRAWING FRAME SIZE 1 FINLESS HEATSINK BA0001J, BA0002J, 2A0001J TO 0006J
		CHECKED: J. PIOTROWSKI	DATE 4-28-09	
		TECH: J. CAIRO	DATE 7-7-09	
		APPROVED: T. SASADA	DATE 7-8-09	
UNITS: IN[mm]	SCALE: BY VIEW	ORIGINAL DESIGN: -	DATE -	DRAWING #: DD.V1K.FR1.FNL.01

MINIMUM INSTALLATION CLEARANCES (SCALE 1:4)



MOUNTING DIMENSIONS (SCALE 1:2)



(2)-MOUNTING HOLES FOR #8[M4] SCREWS

NOTES:

1. MOUNTING PLATE PROPERTIES
 - FLATNESS SHALL NOT EXCEED 0.2mm
 - ROUGHNESS SHALL NOT EXCEED 25S
 - TEMP. SHALL NOT EXCEED 90C (194F)
2. APPLY THERMAL COMPOUND BETWEEN HEATSINK AND MOUNTING PLATE.
3. MOUNTING SCREW TORQUE
 - 1.0-1.3 Nm (0.74-0.96 ft-lbf)
4. SEE MANUAL FOR COMPLETE DETAILS

TOLERANCES / REFERENCES:		<p>YASKAWA The Drive for Quality™</p> <p><i>THIS DOCUMENT AND INFORMATION CONTAINED IN IT ARE CONFIDENTIAL, AND CANNOT BE COPIED OR DISCLOSED IN WHOLE OR IN PART WITHOUT THE EXPRESS WRITTEN CONSENT OF YASKAWA ELECTRIC AMERICA INC.</i></p>	DRAWN: J. MATTAS	DATE: 1-5-09	TITLE: V1000 DIMENSION DRAWING FRAME SIZE 1 FINLESS HEATSINK BA0001J, BA0002J, 2A0001J TO 0006J	
UNITS: IN[mm]	SCALE: BY VIEW		CHECKED: J. PIOTROWSKI	DATE: 4-28-09		SIZE A
		APPROVED: T. SASADA	DATE: 7-7-09	DATE: 7-8-09	DRAWING #: DD.V1K.FR1.FNL.01	
		ORIGINAL DESIGN: -	DATE: -	DATE: -		