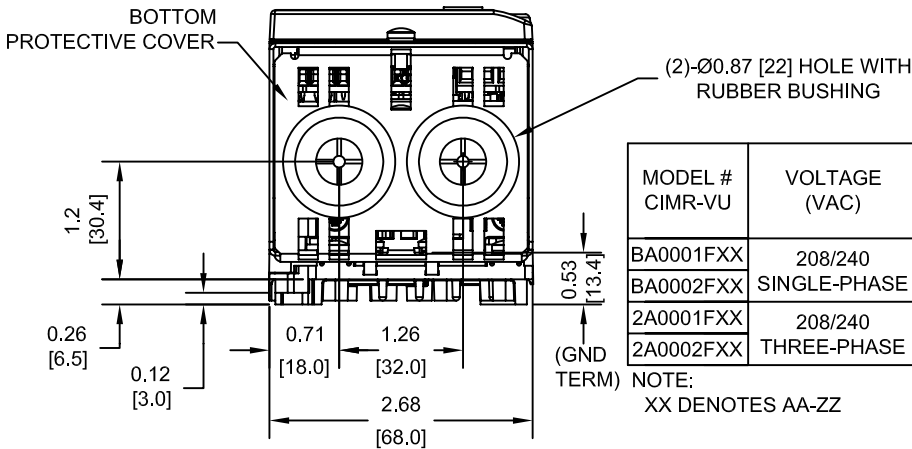
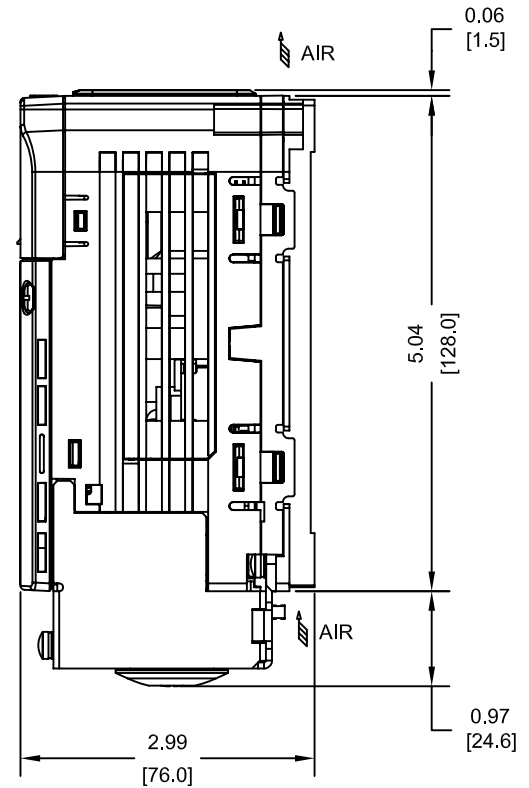
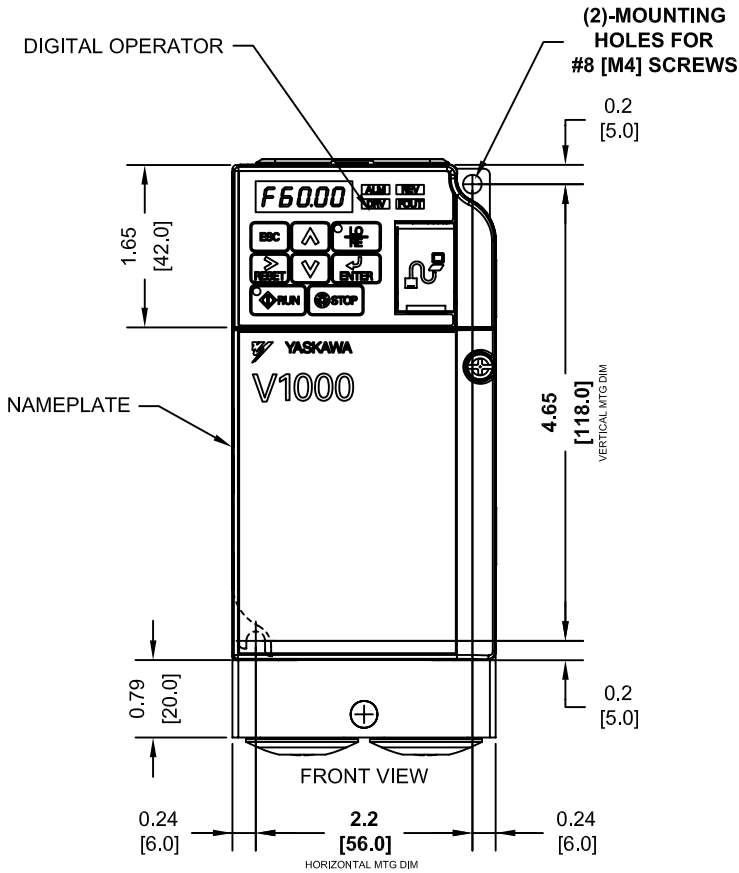
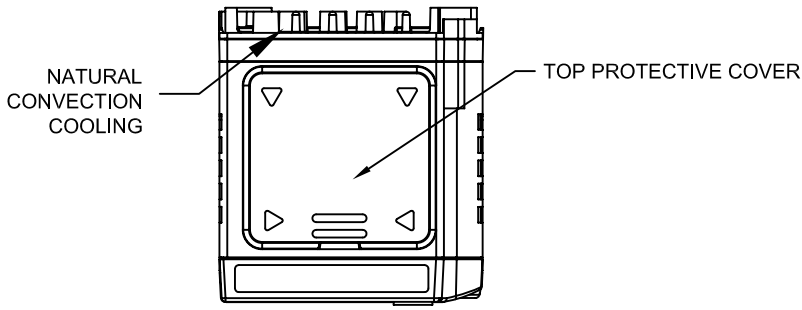


NOTE:
 PROTECTIVE COVERS ARE FACTORY INSTALLED TO THE TOP AND BOTTOM OF THE DRIVE TO MEET IP20 & NEMA TYPE 1 REQUIREMENTS, RESULTING IN AN AMBIENT TEMPERATURE RATING OF 104F(40C). REMOVE THESE COVERS WHEN OPERATING THE DRIVE WITHIN A PANEL TO OBTAIN THE MAXIMUM SURROUNDING AIR TEMPERATURE RATING OF 122F(50C). REMOVING THESE COVERS RESULTS IN AN ENCLOSURE RATING OF IP00.



MODEL # CIMR-VU	VOLTAGE (VAC)	OUTPUT CURRENT (A)		WEIGHT LBS (Kg)	HEAT LOSS (W)					
		ND	HD		ND (Fc=2kHz)			HD (Fc=8kHz)		
					INT	EXT	TOT	INT	EXT	TOT
BA0001FXX	208/240	1.2	0.8	1.8 (0.8)	8.5	5.0	13.5	7.4	4.3	11.7
BA0002FXX	SINGLE-PHASE	1.9	1.6	1.8 (0.8)	9.7	7.6	17.3	8.9	7.9	16.8
2A0001FXX	208/240	1.2	0.8	1.8 (0.8)	8.0	5.0	13.0	7.3	4.3	11.6
2A0002FXX	THREE-PHASE	1.9	1.6	1.8 (0.8)	9.5	7.6	17.1	8.8	7.9	16.7

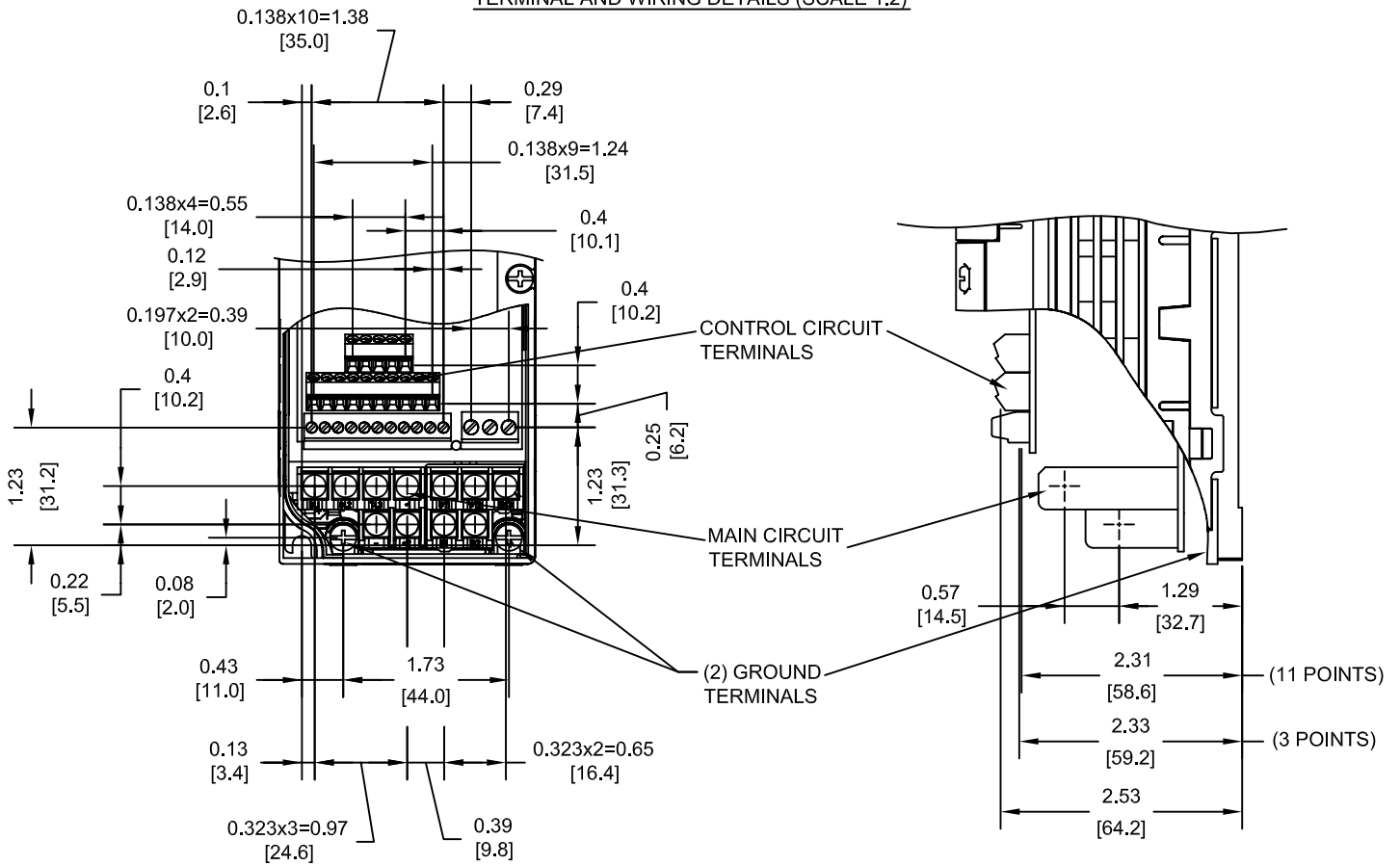
NOTE:
 XX DENOTES AA-ZZ

INT=INTERNAL COMPONENTS
 EXT=EXTERNAL HEATSINK
 TOT=TOTAL

FOR ADDITIONAL DETAILS AND SPECIFICATIONS, CONSULT MANUAL

TOLERANCES / REFERENCES:		<p>THIS DOCUMENT AND INFORMATION CONTAINED IN IT ARE CONFIDENTIAL, AND CANNOT BE COPIED OR DISCLOSED IN WHOLE OR IN PART WITHOUT THE EXPRESS WRITTEN CONSENT OF YASKAWA ELECTRIC AMERICA INC.</p>	DRAWN: J. MATTAS	DATE: 8-9-07	TITLE: V1000 DIMENSION DRAWING FRAME SIZE 1 NEMA TYPE 1 ENCLOSURE BA0001F TO 0002F, 2A0001F TO 0002F	
UNITS: IN[mm]	SCALE: 1:2		CHECKED: M. RUCINSKI	DATE: 5-7-08		
			TECH: J. CAIRO	DATE: 2-11-08		
			APPROVED: T. SASADA	DATE: 5-27-08		
		ORIGINAL DESIGN:	DATE:	DRAWING #: DD.V1K.FR1.N1		
				SIZE: A	REVISION: R00	PAGE: 1 of 3

TERMINAL AND WIRING DETAILS (SCALE 1:2)



TERMINAL AND WIRE SPECIFICATIONS FOR
 MAIN CIRCUIT AND GROUND

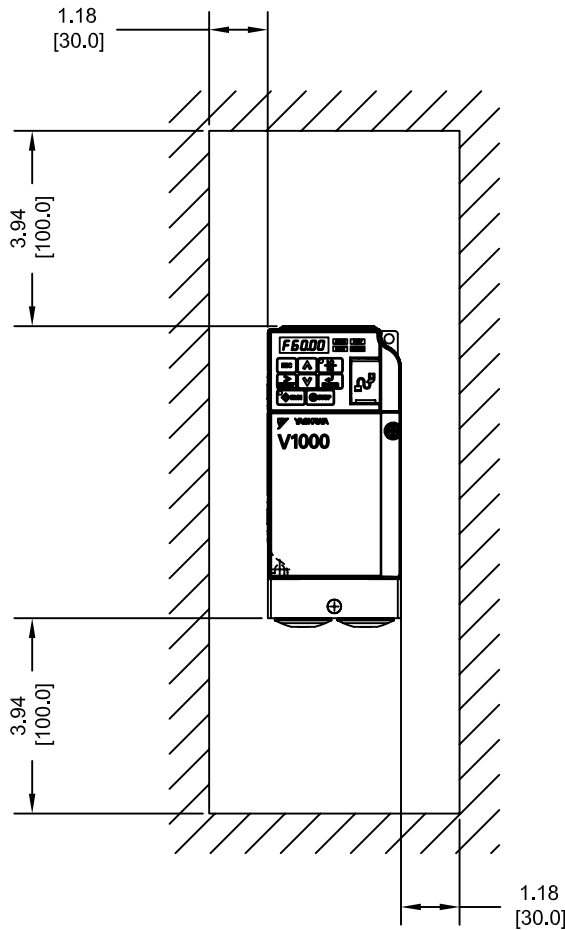
MODEL #	TERMINAL SCREW	CLAMPING TORQUE lb.in.(N.m.)	WIRE RANGE AWG(mm ²)
BA0001F	M3.5	7.1 TO 8.9 (0.8 TO 1.0)	22-14 (0.33-2.0)
BA0002F	M3.5	7.1 TO 8.9 (0.8 TO 1.0)	22-14 (0.33-2.0)
2A0001F	M3.5	7.1 TO 8.9 (0.8 TO 1.0)	22-14 (0.33-2.0)
2A0002F	M3.5	7.1 TO 8.9 (0.8 TO 1.0)	22-14 (0.33-2.0)

NOTE: RATINGS APPLY TO BOTH FACTORY AND FIELD WIRING
 REFER TO APPLICABLE CODES FOR PROPER WIRE TYPE AND SIZE

FOR ADDITIONAL DETAILS AND SPECIFICATIONS, CONSULT MANUAL

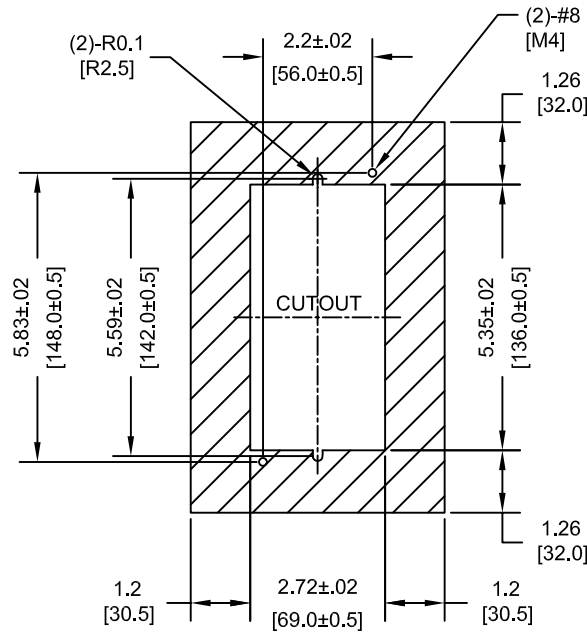
TOLERANCES / REFERENCES:		DRAWN:	J. MATTAS	DATE:	8-9-07	TITLE: V1000 DIMENSION DRAWING FRAME SIZE 1 NEMA TYPE 1 ENCLOSURE BA0001F TO 0002F, 2A0001F TO 0002F			
		CHECKED:	M. RUCINSKI	DATE:	5-7-08				
UNITS: IN[mm]	SCALE: BY VIEW	THIS DOCUMENT AND INFORMATION CONTAINED IN IT ARE CONFIDENTIAL, AND CANNOT BE COPIED OR DISCLOSED IN WHOLE OR IN PART WITHOUT THE EXPRESS WRITTEN CONSENT OF YASKAWA ELECTRIC AMERICA INC.		TECH:	J. CAIRO	DATE:	2-11-08		
		APPROVED:	T. SASADA	DATE:	5-27-08	SIZE:	A	REVISION:	R00
		ORIGINAL DESIGN:	-	DATE:	-	DRAWING #:		DD.V1K.FR1.N1	

MINIMUM INSTALLATION CLEARANCES (SCALE 1:4)



NOTE:
FOR SIDE-BY-SIDE MOUNTING
CONSULT MANUAL

PANEL CUTOUT FOR EXTERNAL HEATSINK
MOUNTING CONFIGURATION (SCALE 1:4)



NOTES:
1. EXTERNAL HEATSINK
CONFIGURATION REQUIRES
MOUNTING KIT
2. EXPOSED HEATSINK
RECOMMENDED CLEARANCE
D=1.18" MINUS PANEL THICKNESS

TOLERANCES / REFERENCES:		<p>YASKAWA The Drive for Quality™</p>	DRAWN: J. MATTAS	DATE 8-9-07	TITLE: V1000 DIMENSION DRAWING
<p>THIS DOCUMENT AND INFORMATION CONTAINED IN IT ARE CONFIDENTIAL, AND CANNOT BE COPIED OR DISCLOSED IN WHOLE OR IN PART WITHOUT THE EXPRESS WRITTEN CONSENT OF YASKAWA ELECTRIC AMERICA INC.</p>			CHECKED: M. RUCINSKI	DATE 5-7-08	FRAME SIZE 1 NEMA TYPE 1 ENCLOSURE BA0001F TO 0002F, 2A0001F TO 0002F
UNITS: IN[mm]	SCALE: BY VIEW	TECH: J. CAIRO	DATE 2-11-08	SIZE A	REVISION R00
		APPROVED: T. SASADA	DATE 5-27-08	PAGE 3 of 3	DRAWING #: DD.V1K.FR1.N1
		ORIGINAL DESIGN: -	DATE -		