

MODEL # CIMR-VU	VOLTAGE SINGLE PHASE (VAC)	OUTPUT CURRENT (A)		WEIGHT LBS (Kg)	HEAT LOSS (W)					
		ND	HD		ND (Fc=2kHz)			HD (Fc=8kHz)		
					INT	EXT	TOT	INT	EXT	TOT
BA0012BXX	208/240	12.0	11.0	5.3 (2.4)	37.1	61.3	98.4	34.1	70.7	104.8

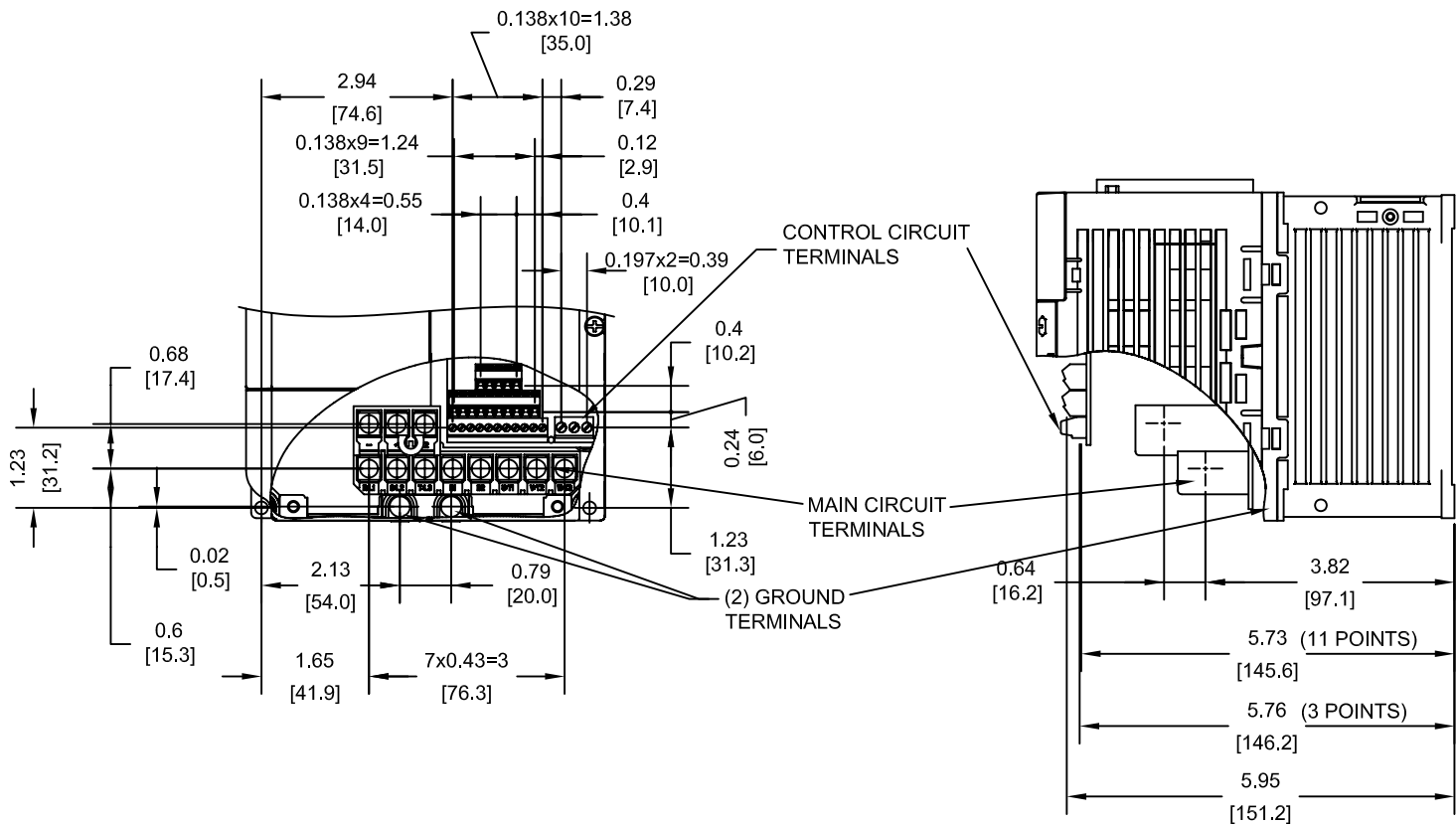
NOTE:
XX DENOTES AA-ZZ

INT=INTERNAL COMPONENTS
EXT=EXTERNAL HEATSINK
TOT=TOTAL

FOR ADDITIONAL DETAILS AND SPECIFICATIONS, CONSULT MANUAL

TOLERANCES / REFERENCES:		<p>YASKAWA The Drive for Quality™</p> <p>THIS DOCUMENT AND INFORMATION CONTAINED IN IT ARE CONFIDENTIAL, AND CANNOT BE COPIED OR DISCLOSED IN WHOLE OR IN PART WITHOUT THE EXPRESS WRITTEN CONSENT OF YASKAWA ELECTRIC AMERICA INC.</p>	DRAWN: J. MATTAS CHECKED: J. PIOTROWSKI TECH: J. CAIRO APPROVED: T. SASADA ORIGINAL DESIGN: -	DATE 1-27-09 DATE 8-21-09 DATE 8-24-09 DATE 8-28-09 DATE -	TITLE: V1000 DIMENSION DRAWING FRAME SIZE 12 OPEN ENCLOSURE (IP20 RATING) BA0012B
UNITS: IN [mm]	SCALE: 1: 4		SIZE A	REVISION R00	PAGE 1 of 3
			DRAWING #: DD.V1K.FR12.IP20		

TERMINAL AND WIRING DETAILS (SCALE 1:3)



TERMINAL AND WIRE SPECIFICATIONS FOR
MAIN CIRCUIT AND GROUND

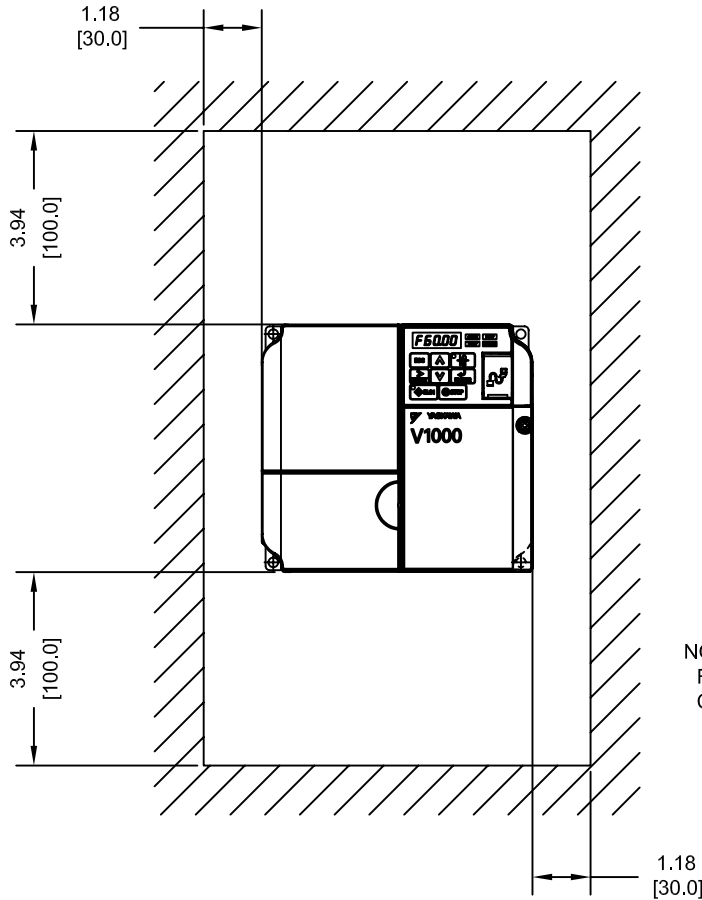
MODEL #	TERMINAL SCREW	CLAMPING TORQUE lb.in.(N.m.)	WIRE RANGE AWG(mm ²)
CIMR-VU	M4	10.6 TO 13.3 (1.2 TO 1.5)	22-10 (0.33-5.5)
BA0012B	M4	10.6 TO 13.3 (1.2 TO 1.5)	22-10 (0.33-5.5)

NOTE: RATINGS APPLY TO BOTH FACTORY AND FIELD WIRING
REFER TO APPLICABLE CODES FOR PROPER WIRE TYPE AND SIZE

FOR ADDITIONAL DETAILS AND SPECIFICATIONS, CONSULT MANUAL

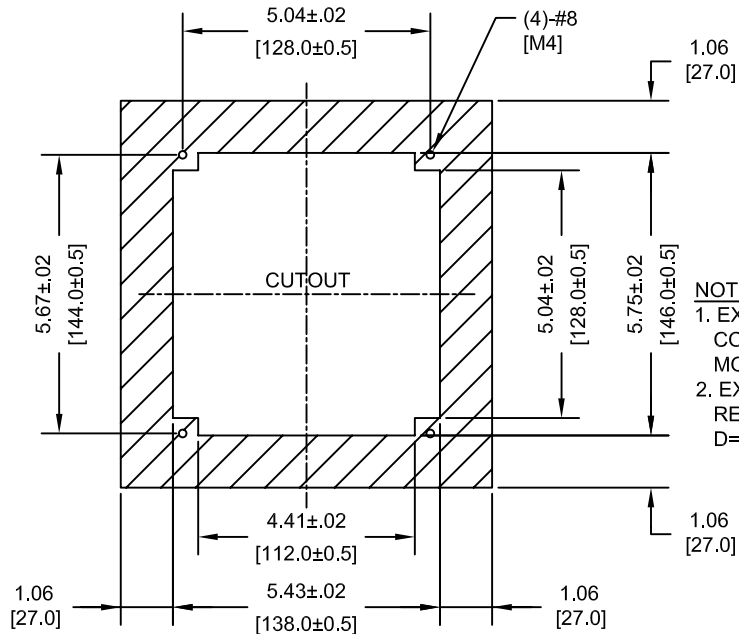
TOLERANCES / REFERENCES:		<p>THIS DOCUMENT AND INFORMATION CONTAINED IN IT ARE CONFIDENTIAL, AND CANNOT BE COPIED OR DISCLOSED IN WHOLE OR IN PART WITHOUT THE EXPRESS WRITTEN CONSENT OF YASKAWA ELECTRIC AMERICA INC.</p>	DRAWN: J. MATTAS DATE: 1-27-09	DATE: 1-27-09	TITLE: V1000 DIMENSION DRAWING FRAME SIZE 12 OPEN ENCLOSURE (IP20 RATING) BA0012B
			CHECKED: J. PIOTROWSKI DATE: 8-21-09	DATE: 8-21-09	
			TECH: J. CAIRO DATE: 8-24-09	DATE: 8-24-09	
			APPROVED: T. SASADA DATE: 8-28-09	DATE: 8-28-09	
UNITS: IN [mm]	SCALE: BY VIEW	ORIGINAL DESIGN: -	DATE: -	SIZE: A REVISION: R00 PAGE: 2 of 3	DRAWING #: DD.V1K.FR12.IP20

MINIMUM INSTALLATION CLEARANCES (SCALE 1:4)



NOTE:
FOR SIDE-BY-SIDE MOUNTING
CONSULT MANUAL

PANEL CUTOUT FOR EXTERNAL HEATSINK
MOUNTING CONFIGURATION (SCALE 1:4)



NOTES:
1. EXTERNAL HEATSINK
CONFIGURATION REQUIRES
MOUNTING KIT
2. EXPOSED HEATSINK
RECOMMENDED CLEARANCE
D=2.76" MINUS PANEL THICKNESS

TOLERANCES / REFERENCES:		<p>THIS DOCUMENT AND INFORMATION CONTAINED IN IT ARE CONFIDENTIAL, AND CANNOT BE COPIED OR DISCLOSED IN WHOLE OR IN PART WITHOUT THE EXPRESS WRITTEN CONSENT OF YASKAWA ELECTRIC AMERICA INC.</p>	DRAWN: J. MATTAS	DATE: 1-27-09	TITLE: V1000 DIMENSION DRAWING FRAME SIZE 12 OPEN ENCLOSURE (IP20 RATING) BA0012B
			CHECKED: J. PIOTROWSKI	DATE: 8-21-09	
			TECH: J. CAIRO	DATE: 8-24-09	
			APPROVED: T. SASADA	DATE: 8-28-09	
UNITS: IN [mm]	SCALE: BY VIEW	ORIGINAL DESIGN:	-	DATE:	-
			SIZE: A	REVISION: R00	PAGE: 3 of 3
			DRAWING #: DD.V1K.FR12.IP20		