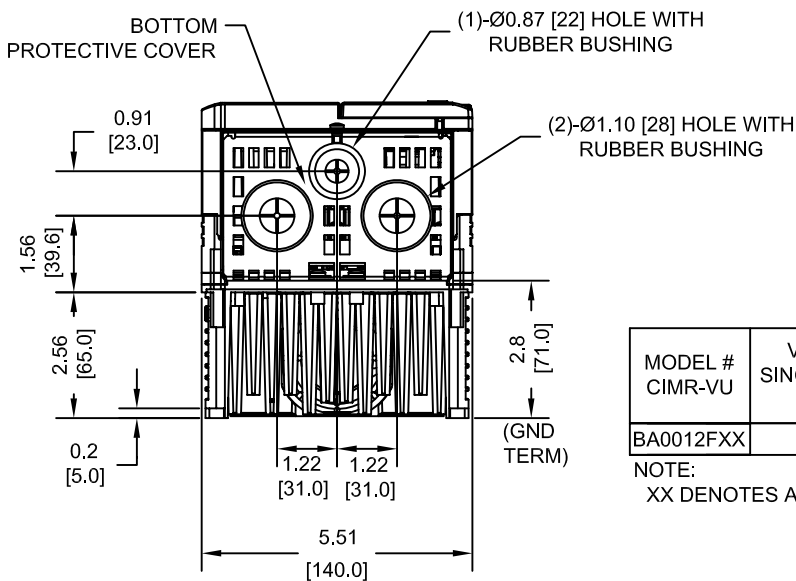
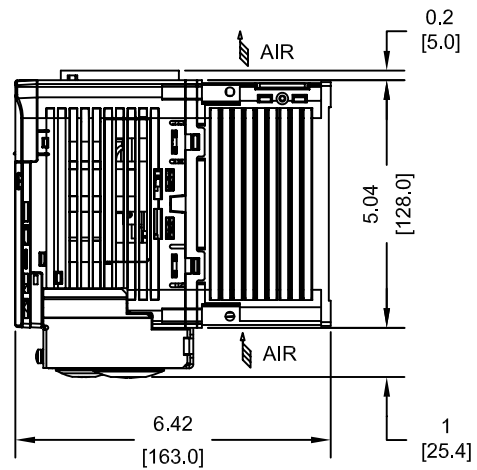
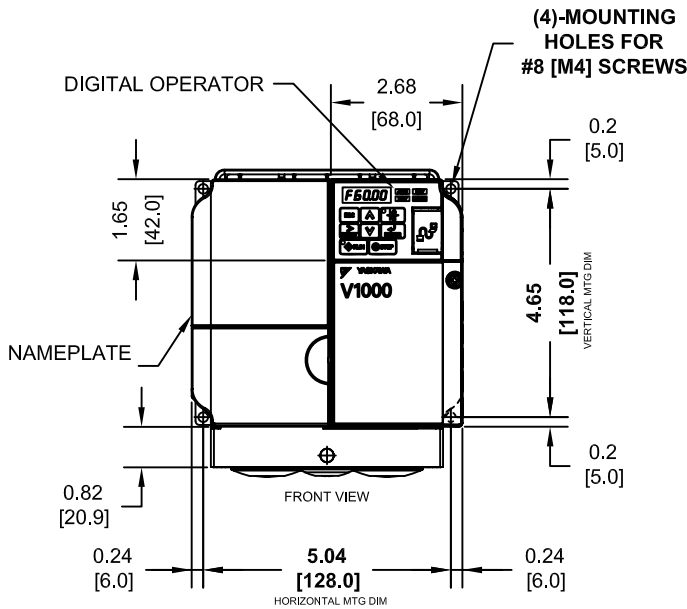
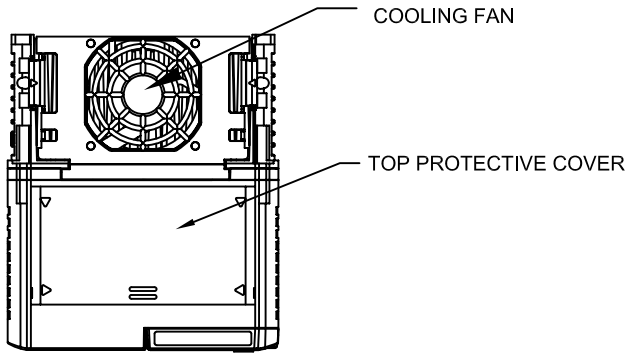


NOTE:
 PROTECTIVE COVERS ARE FACTORY INSTALLED TO THE TOP AND BOTTOM OF THE DRIVE TO MEET IP20 & NEMA TYPE 1 REQUIREMENTS, RESULTING IN AN AMBIENT TEMPERATURE RATING OF 104F(40C). REMOVE THESE COVERS WHEN OPERATING THE DRIVE WITHIN A PANEL TO OBTAIN THE MAXIMUM SURROUNDING AIR TEMPERATURE RATING OF 122F(50C). REMOVING THESE COVERS RESULTS IN AN ENCLOSURE RATING OF IP00.



MODEL # CIMR-VU	VOLTAGE SINGLE PHASE (VAC)	OUTPUT CURRENT (A)		WEIGHT LBS (Kg)	HEAT LOSS (W)					
		ND	HD		ND (Fc=2kHz)			HD (Fc=8kHz)		
					INT	EXT	TOT	INT	EXT	TOT
BA0012FXX	208/240	12.0	11.0	5.7 (2.6)	37.1	61.3	98.4	34.1	70.7	104.8

NOTE:
 XX DENOTES AA-ZZ

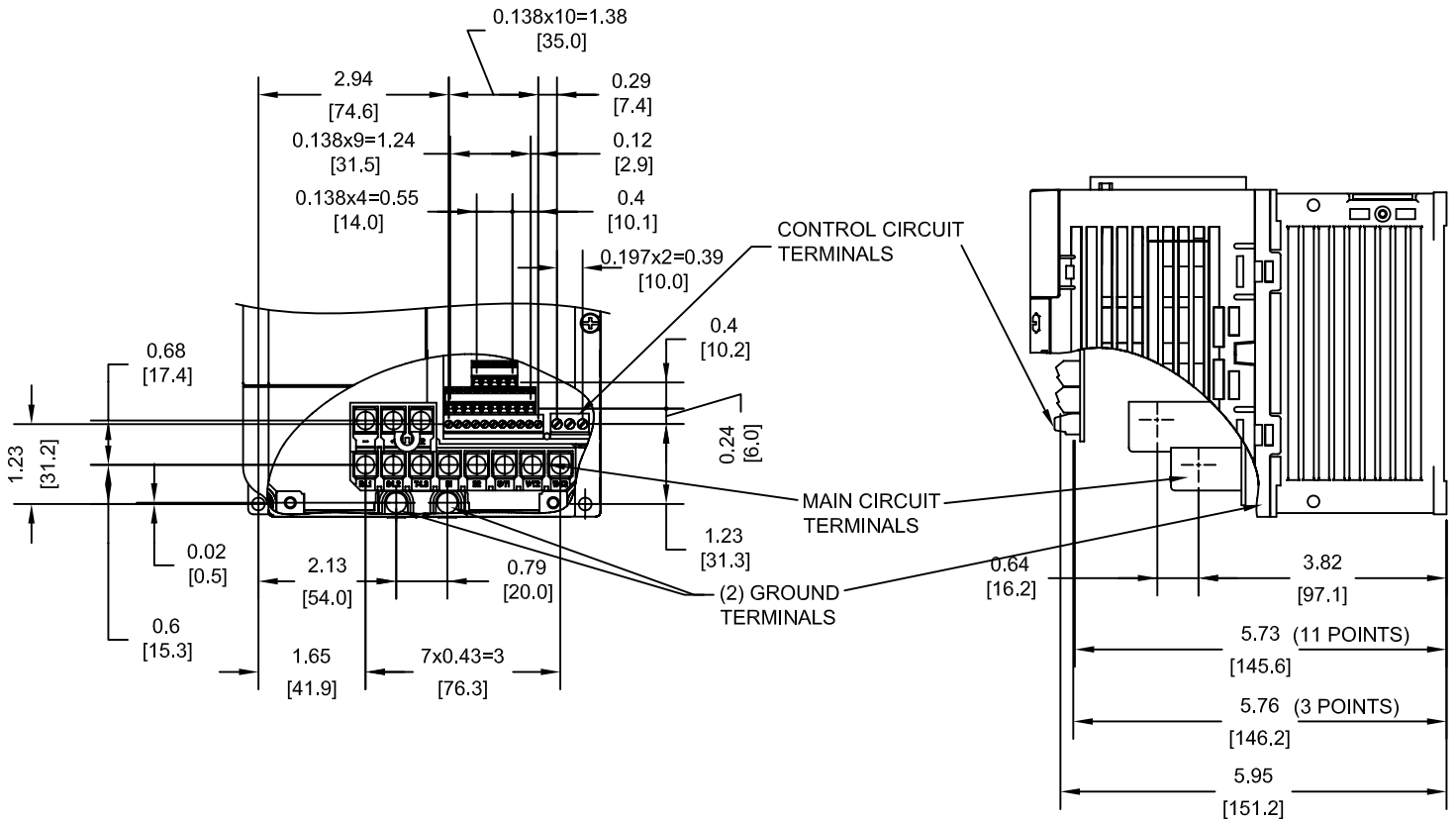
INT=INTERNAL COMPONENTS
 EXT=EXTERNAL HEATSINK
 TOT=TOTAL

FOR ADDITIONAL DETAILS AND SPECIFICATIONS, CONSULT MANUAL

TOLERANCES / REFERENCES:		<p>YASKAWA The Drive for Quality™</p> <p>THIS DOCUMENT AND INFORMATION CONTAINED IN IT ARE CONFIDENTIAL, AND CANNOT BE COPIED OR DISCLOSED IN WHOLE OR IN PART WITHOUT THE EXPRESS WRITTEN CONSENT OF YASKAWA ELECTRIC AMERICA INC.</p>	DRAWN: J. MATTAS CHECKED: M. RUCINSKI TECH: J. CAIRO APPROVED: T. SASADA ORIGINAL DESIGN: -	DATE: 1-8-08 DATE: 5-7-08 DATE: 3-25-08 DATE: 5-27-08 DATE: -	TITLE: V1000 DIMENSION DRAWING FRAME SIZE 12 NEMA TYPE 1 ENCLOSURE BA0012F
UNITS: IN[mm]	SCALE: 1:4		SIZE A	REVISION R00	PAGE 1 of 3

DRAWING #: **DD.V1K.FR12.N1**

TERMINAL AND WIRING DETAILS (SCALE 1:3)



TERMINAL AND WIRE SPECIFICATIONS FOR
MAIN CIRCUIT AND GROUND

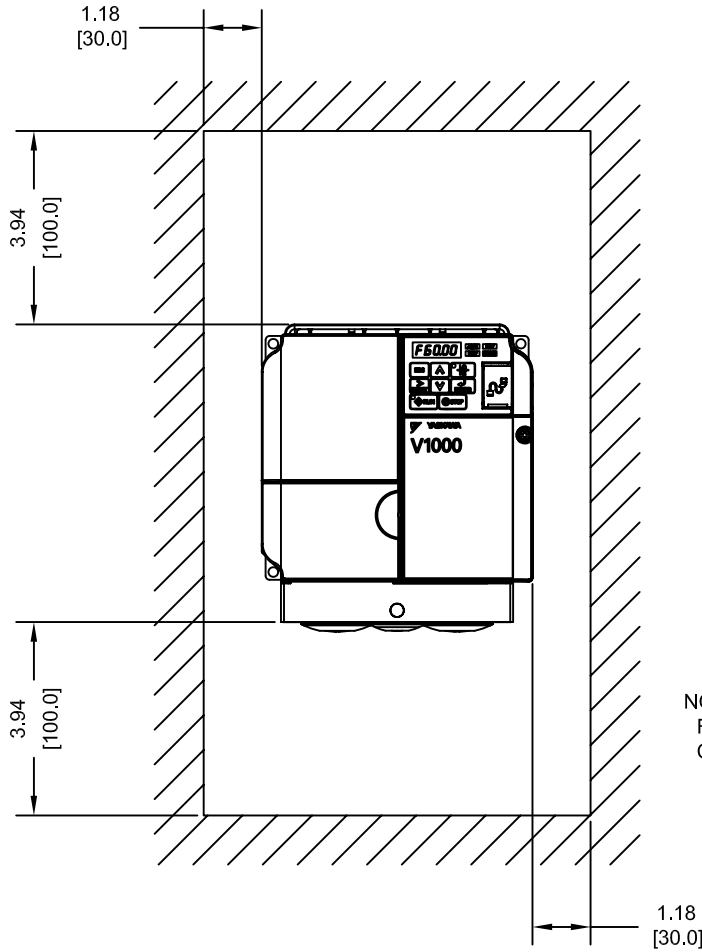
MODEL #	TERMINAL SCREW	CLAMPING TORQUE lb.in.(N.m.)	WIRE RANGE AWG(mm ²)
CIMR-VU	M4	10.6 TO 13.3 (1.2 TO 1.5)	22-10 (0.33-5.5)

NOTE: RATINGS APPLY TO BOTH FACTORY AND FIELD WIRING
REFER TO APPLICABLE CODES FOR PROPER WIRE TYPE AND SIZE

FOR ADDITIONAL DETAILS AND SPECIFICATIONS, CONSULT MANUAL

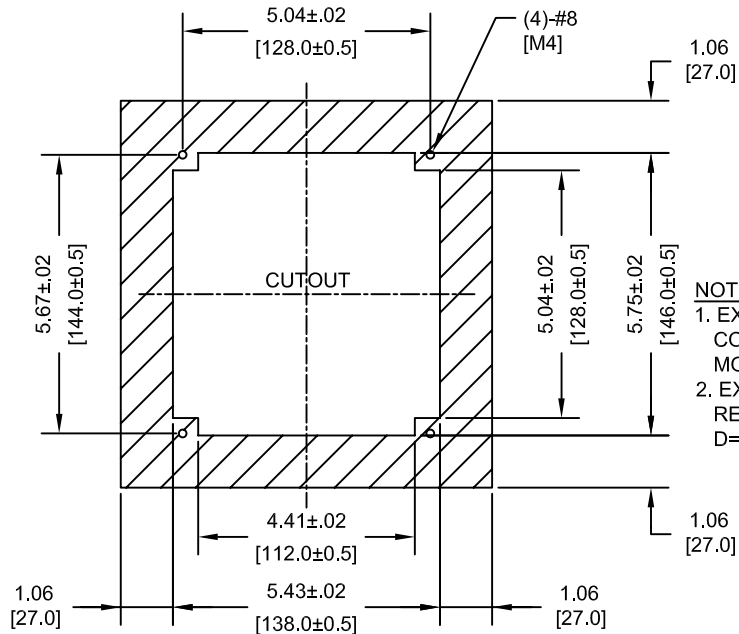
TOLERANCES / REFERENCES:		<p>THIS DOCUMENT AND INFORMATION CONTAINED IN IT ARE CONFIDENTIAL, AND CANNOT BE COPIED OR DISCLOSED IN WHOLE OR IN PART WITHOUT THE EXPRESS WRITTEN CONSENT OF YASKAWA ELECTRIC AMERICA INC.</p>	DRAWN: J. MATTAS CHECKED: M. RUCINSKI TECH: J. CAIRO APPROVED: T. SASADA ORIGINAL DESIGN: -	DATE 1-8-08 DATE 5-7-08 DATE 3-25-08 DATE 5-27-08 DATE -	TITLE: V1000 DIMENSION DRAWING FRAME SIZE 12 NEMA TYPE 1 ENCLOSURE BA0012F
UNITS: IN[mm]	SCALE: BY VIEW		SIZE A	REVISION R00	PAGE 2 of 3
			DRAWING #: DD.V1K.FR12.N1		

MINIMUM INSTALLATION CLEARANCES (SCALE 1:4)



NOTE:
FOR SIDE-BY-SIDE MOUNTING
CONSULT MANUAL

PANEL CUTOUT FOR EXTERNAL HEATSINK
MOUNTING CONFIGURATION (SCALE 1:4)



NOTES:
1. EXTERNAL HEATSINK
CONFIGURATION REQUIRES
MOUNTING KIT
2. EXPOSED HEATSINK
RECOMMENDED CLEARANCE
D=2.76" MINUS PANEL THICKNESS

TOLERANCES / REFERENCES:		<p>YASKAWA The Drive for Quality™</p> <p>THIS DOCUMENT AND INFORMATION CONTAINED IN IT ARE CONFIDENTIAL, AND CANNOT BE COPIED OR DISCLOSED IN WHOLE OR IN PART WITHOUT THE EXPRESS WRITTEN CONSENT OF YASKAWA ELECTRIC AMERICA INC.</p>	DRAWN: J. MATTAS DATE 1-8-08	TITLE: V1000 DIMENSION DRAWING FRAME SIZE 12 NEMA TYPE 1 ENCLOSURE BA0012F		
			CHECKED: M. RUCINSKI DATE 5-7-08	SIZE A	REVISION R00	PAGE 3 of 3
			TECH: J. CAIRO DATE 3-25-08	DRAWING #: DD.V1K.FR12.N1		
			APPROVED: T. SASADA DATE 5-27-08	ORIGINAL DESIGN: -	DATE -	
UNITS: IN[mm]	SCALE: BY VIEW					