

MODEL # CIMR-VU	VOLTAGE THREE PHASE (VAC)	OUTPUT CURRENT (A)		WEIGHT LBS (Kg)	HEAT LOSS (W)					
					ND (Fc=2kHz)			HD (Fc=8kHz)		
		ND	HD		INT	EXT	TOT	INT	EXT	TOT
4A0031AXX	380/480	31.0	24.0	11.0 (5.0)	146.1	287.5	433.6	105.9	266.9	372.8

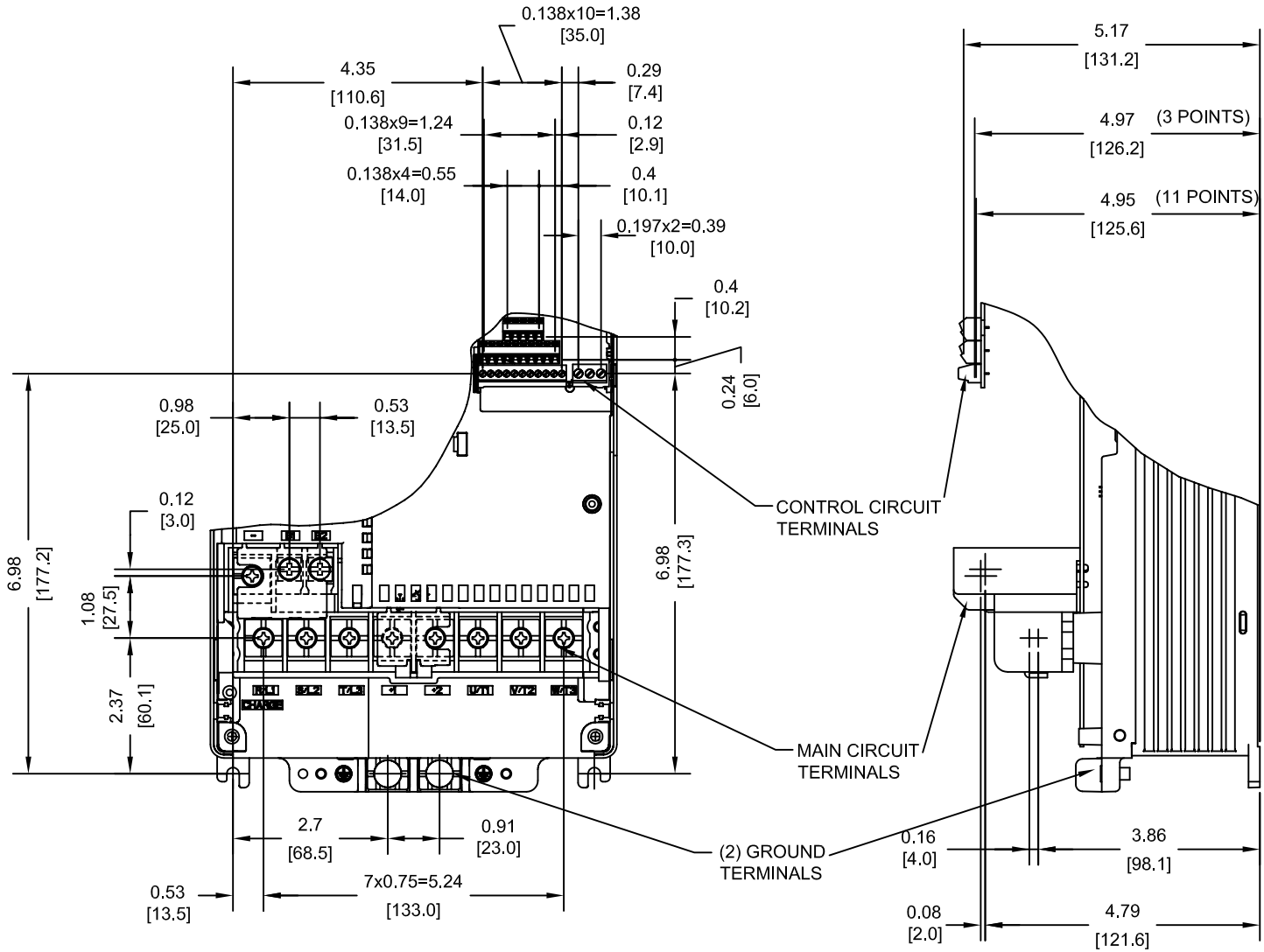
NOTE:  
XX DENOTES AA-ZZ

INT=INTERNAL COMPONENTS  
EXT=EXTERNAL HEATSINK  
TOT=TOTAL

FOR ADDITIONAL DETAILS AND SPECIFICATIONS, CONSULT MANUAL

TOLERANCES / REFERENCES:		<p><b>YASKAWA</b> The Drive for Quality™</p> <p>THIS DOCUMENT AND INFORMATION CONTAINED IN IT ARE CONFIDENTIAL, AND CANNOT BE COPIED OR DISCLOSED IN WHOLE OR IN PART WITHOUT THE EXPRESS WRITTEN CONSENT OF YASKAWA ELECTRIC AMERICA INC.</p>	DRAWN: J. MATTAS	DATE 1-28-09	TITLE: V1000 DIMENSION DRAWING
			CHECKED: J. PIOTROWSKI	DATE 8-21-09	FRAME SIZE 15
			TECH: J. CAIRO	DATE 8-24-09	OPEN ENCLOSURE (IP00 RATING)
			APPROVED: T. SASADA	DATE 8-28-09	4A0031A
UNITS: IN [mm]	SCALE: 1:5	ORIGINAL DESIGN: -	DATE -	SIZE A	REVISION R00
				DRAWING #:	PAGE 1 of 3
				<b>DD.V1K.FR15.IP00</b>	

TERMINAL AND WIRING DETAILS (SCALE 1:3)



TERMINAL AND WIRE SPECIFICATIONS FOR  
MAIN CIRCUIT AND GROUND

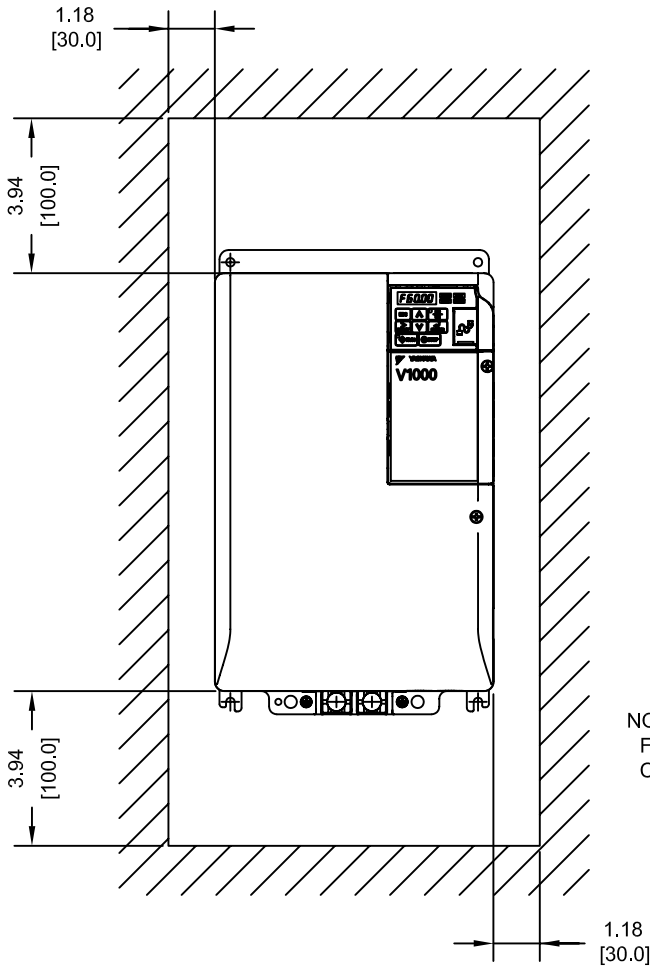
MODEL # CIMR-VU	TERMINAL SYMBOL	TERMINAL SCREW	CLAMPING TORQUE lb.in.(N.m.)	WIRE RANGE AWG(mm <sup>2</sup> )
4A0031A	R/L1, S/L2, T/L3, Ⓞ, ⊕1, ⊕2, U/T1, V/T2, W/T3, B1, B2	M5	17.7 TO 22.1 (2.0 TO 2.5)	10-6 (5.5-14)
	Ⓞ	M6	35.4 TO 53.1 (4 TO 6)	10-6 (5.5-14)

NOTE: RATINGS APPLY TO BOTH FACTORY AND FIELD WIRING  
REFER TO APPLICABLE CODES FOR PROPER WIRE TYPE AND SIZE

FOR ADDITIONAL DETAILS AND SPECIFICATIONS, CONSULT MANUAL

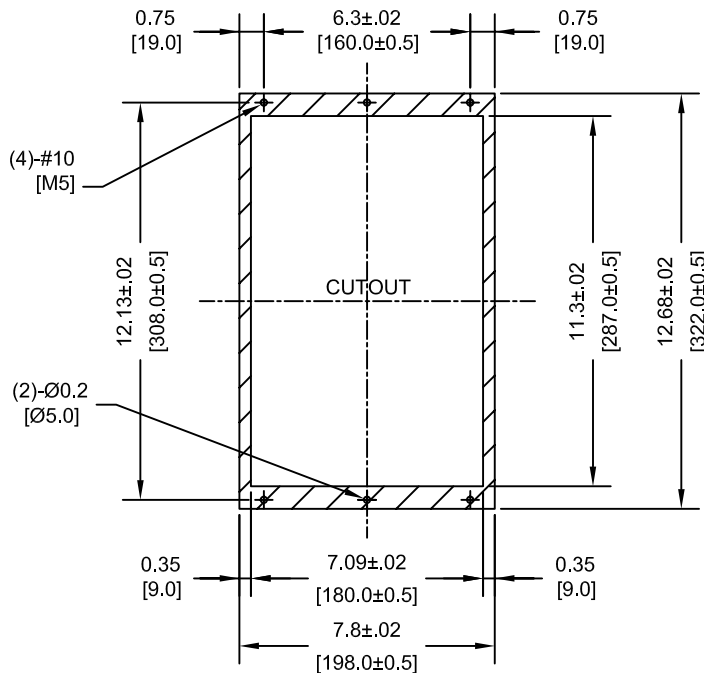
TOLERANCES / REFERENCES:		<p>THIS DOCUMENT AND INFORMATION CONTAINED IN IT ARE CONFIDENTIAL, AND CANNOT BE COPIED OR DISCLOSED IN WHOLE OR IN PART WITHOUT THE EXPRESS WRITTEN CONSENT OF YASKAWA ELECTRIC AMERICA INC.</p>	DRAWN: J. MATTAS DATE 1-28-09	TITLE: V1000 DIMENSION DRAWING FRAME SIZE 15 OPEN ENCLOSURE (IP00 RATING) 4A0031A
UNITS: IN[mm]			CHECKED: J. PIOTROWSKI DATE 8-21-09	DATE 8-21-09
SCALE: BY VIEW			TECH: J. CAIRO DATE 8-24-09	DATE 8-24-09
			APPROVED: T. SASADA DATE 8-28-09	DATE 8-28-09
		ORIGINAL DESIGN: -	DATE -	SIZE A
				REVISION R00
				PAGE 2 of 3
				DRAWING #: DD.V1K.FR15.IP00

MINIMUM INSTALLATION CLEARANCES (SCALE 1:5)



NOTE:  
FOR SIDE-BY-SIDE MOUNTING  
CONSULT MANUAL

PANEL CUTOUT FOR EXTERNAL HEATSINK  
MOUNTING CONFIGURATION (SCALE 1:6)



NOTES:  
1. EXTERNAL HEATSINK  
CONFIGURATION REQUIRES  
MOUNTING KIT  
2. EXPOSED HEATSINK  
RECOMMENDED CLEARANCE  
D=2.36" MINUS PANEL THICKNESS

TOLERANCES / REFERENCES:		<p><b>YASKAWA</b> The Drive for Quality™</p> <p>THIS DOCUMENT AND INFORMATION CONTAINED IN IT ARE CONFIDENTIAL, AND CANNOT BE COPIED OR DISCLOSED IN WHOLE OR IN PART WITHOUT THE EXPRESS WRITTEN CONSENT OF YASKAWA ELECTRIC AMERICA INC.</p>	DRAWN: J. MATTAS DATE 1-28-09	TITLE: V1000 DIMENSION DRAWING FRAME SIZE 15 OPEN ENCLOSURE (IP00 RATING) 4A0031A
			CHECKED: J. PIOTROWSKI DATE 8-21-09	REVISION R00
			TECH: J. CAIRO DATE 8-24-09	PAGE 3 of 3
			APPROVED: T. SASADA DATE 8-28-09	DRAWING #: DD.V1K.FR15.IP00
UNITS: IN [mm]	SCALE: BY VIEW	ORIGINAL DESIGN:	DATE	