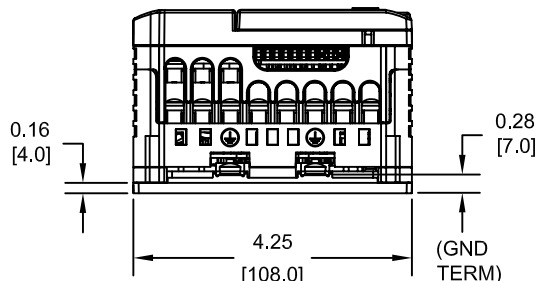
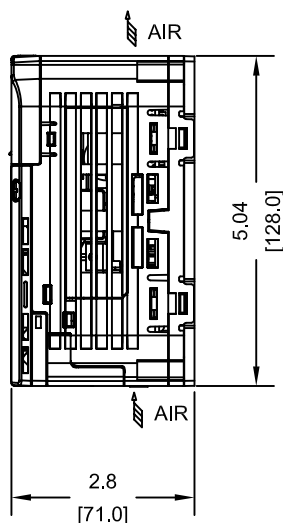
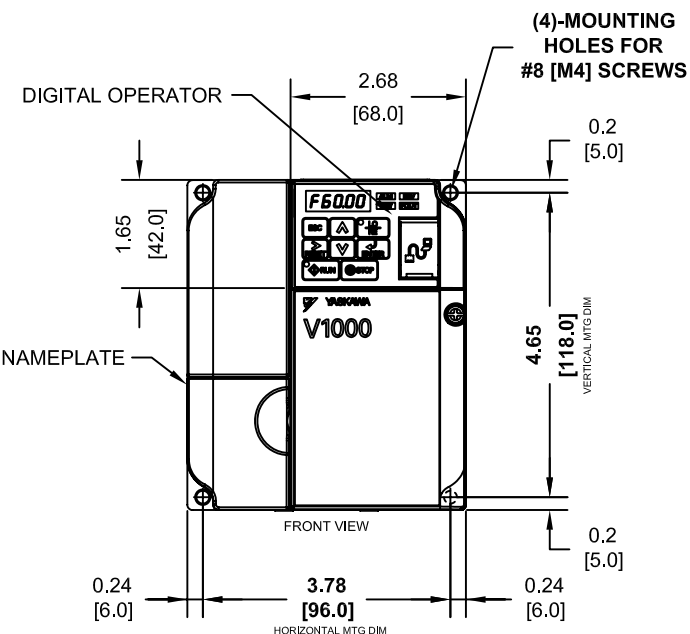
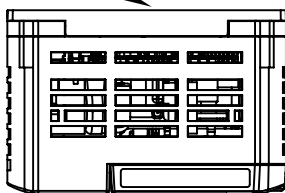


FINLESS HEATSINK



MODEL # CIMR-VU	VOLTAGE THREE PHASE (VAC)	OUTPUT CURRENT (A)		WEIGHT LBS (Kg)	HEAT LOSS (W)					
		ND	HD		ND (Fc=2kHz)			HD (Fc=8kHz)		
		INT	EXT	TOT	INT	EXT	TOT	INT	EXT	TOT
2A0010JXX	208/240	9.6	8.0	2.2 (1.0)	25.8	51.7	77.5	23.8	54.8	78.6
4A0001JXX	380/480	1.2	1.2	2.0 (0.9)	9.6	10.0	19.6	11.5	19.2	30.7
4A0002JXX		2.1	1.8	2.0 (0.9)	13.9	18.5	32.4	14.8	28.9	43.7

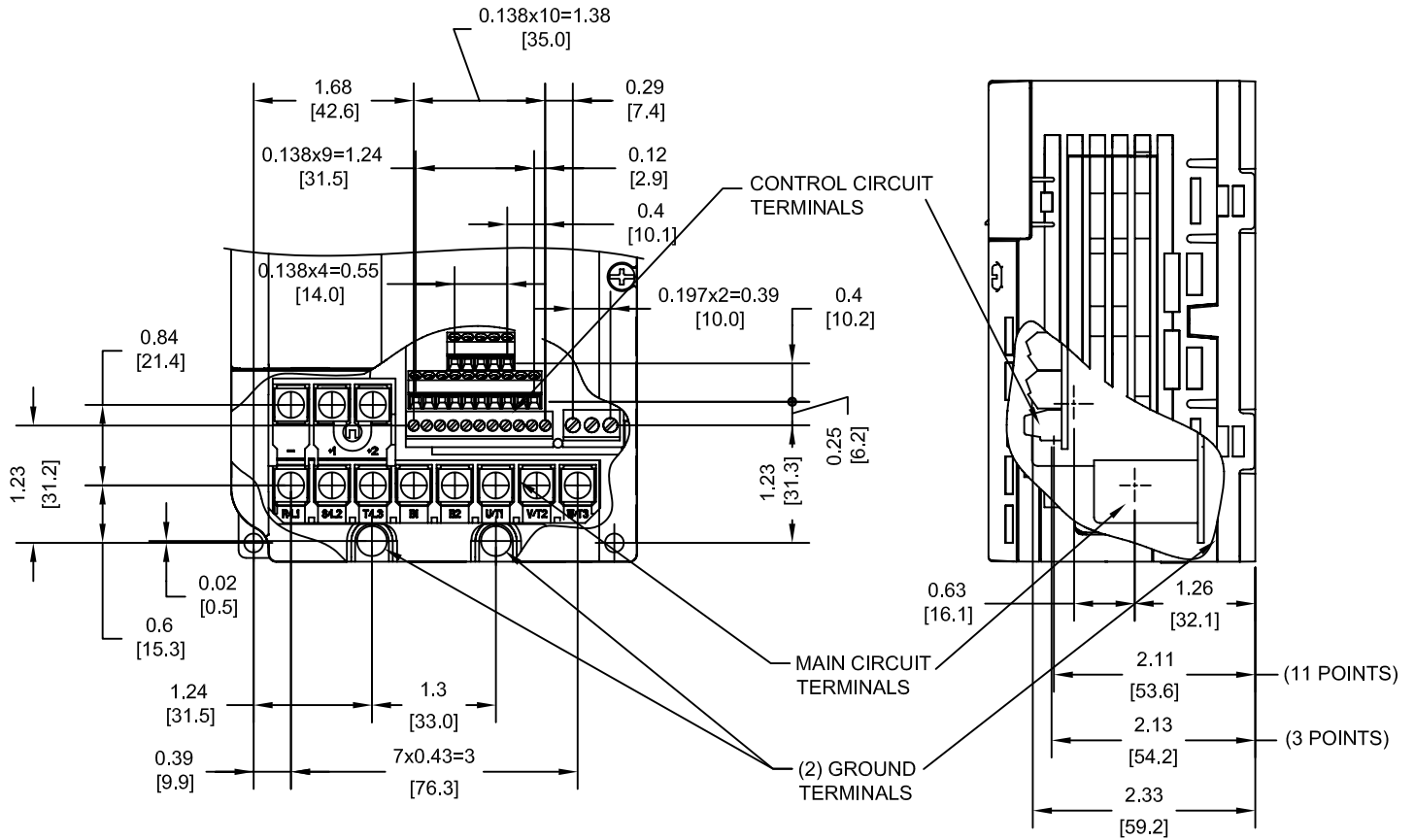
NOTE:
XX DENOTES AA-ZZ

INT=INTERNAL COMPONENTS
EXT=EXTERNAL HEATSINK
TOT=TOTAL

FOR ADDITIONAL DETAILS AND SPECIFICATIONS, CONSULT MANUAL

TOLERANCES / REFERENCES:		<p>YASKAWA The Drive for Quality™</p> <p><i>THIS DOCUMENT AND INFORMATION CONTAINED IN IT ARE CONFIDENTIAL, AND CANNOT BE COPIED OR DISCLOSED IN WHOLE OR IN PART WITHOUT THE EXPRESS WRITTEN CONSENT OF YASKAWA ELECTRIC AMERICA INC.</i></p>	DRAWN: J. MATTAS DATE 1-5-09	DATE 1-5-09	TITLE: V1000 DIMENSION DRAWING FRAME SIZE 3 FINLESS HEATSINK 2A0010J, 4A0001J, 4A0002J		
UNITS: IN[mm]	SCALE: 1:3		CHECKED: J. PIOTROWSKI DATE 5-20-09	DATE 5-20-09			
			TECH: J. CAIRO DATE 7-7-09	DATE 7-7-09			
			APPROVED: T. SASADA DATE 7-8-09	DATE 7-8-09			
		ORIGINAL DESIGN: -	DATE -	DRAWING #: DD.V1K.FR3.FNL.01	SIZE A	REVISION R00	PAGE 1 of 3

TERMINAL AND WIRING DETAILS (SCALE 1:2)



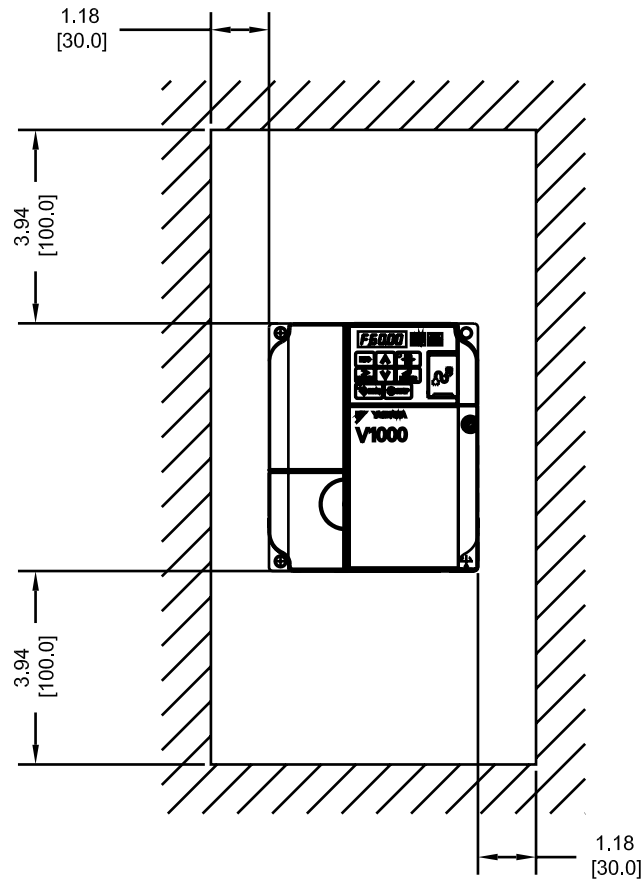
TERMINAL AND WIRE SPECIFICATIONS FOR
MAIN CIRCUIT AND GROUND

MODEL # CIMR-VU	TERMINAL SCREW	CLAMPING TORQUE lb.in.(N.m.)	WIRE RANGE AWG(mm ²)
2A0010J	M4	10.6 TO 13.3 (1.2 TO 1.5)	22-10 (0.33-5.5)
4A0001J	M4	10.6 TO 13.3 (1.2 TO 1.5)	22-10 (0.33-5.5)
4A0002J	M4	10.6 TO 13.3 (1.2 TO 1.5)	22-10 (0.33-5.5)

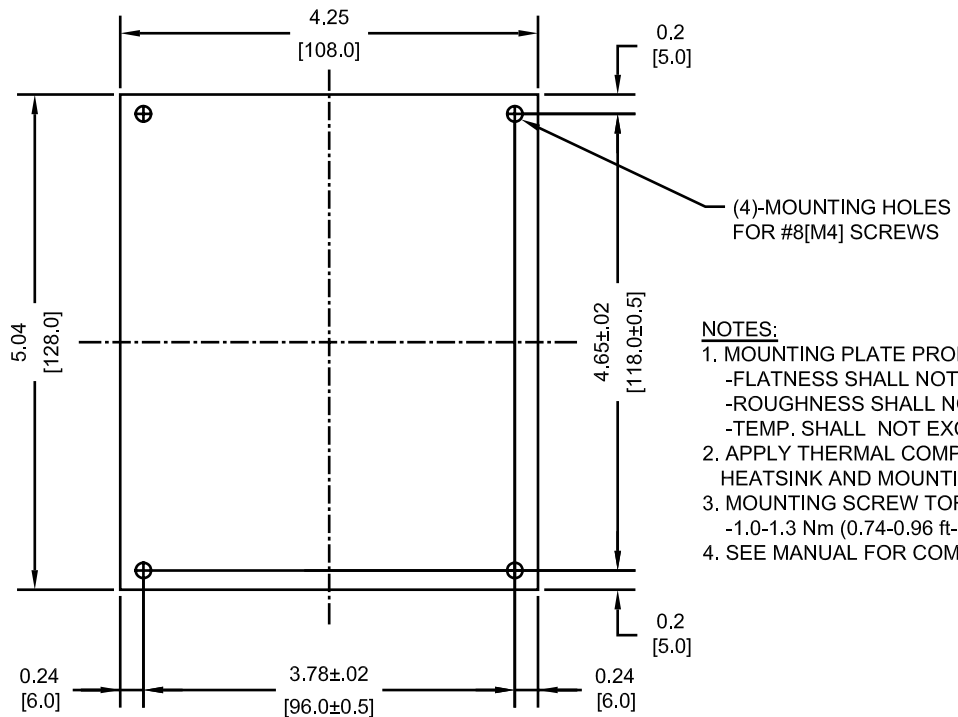
NOTE: RATINGS APPLY TO BOTH FACTORY AND FIELD WIRING
REFER TO APPLICABLE CODES FOR PROPER WIRE TYPE AND SIZE

FOR ADDITIONAL DETAILS AND SPECIFICATIONS, CONSULT MANUAL

TOLERANCES / REFERENCES:		<p>THIS DOCUMENT AND INFORMATION CONTAINED IN IT ARE CONFIDENTIAL, AND CANNOT BE COPIED OR DISCLOSED IN WHOLE OR IN PART WITHOUT THE EXPRESS WRITTEN CONSENT OF YASKAWA ELECTRIC AMERICA INC.</p>	DRAWN: J. MATTAS DATE 1-5-09	DATE 1-5-09	TITLE: V1000 DIMENSION DRAWING FRAME SIZE 3 FINLESS HEATSINK 2A0010J, 4A0001J, 4A0002J	
UNITS: IN[mm]			CHECKED: J. PIOTROWSKI DATE 5-20-09	DATE 5-20-09		SIZE A
SCALE: BY VIEW			TECH: J. CAIRO DATE 7-7-09	DATE 7-7-09		REVISION R00
			APPROVED: T. SASADA DATE 7-8-09	DATE 7-8-09		PAGE 2 of 3
		ORIGINAL DESIGN: -	DATE -	DRAWING #: DD.V1K.FR3.FNL.01		



MOUNTING DIMENSIONS (SCALE 1:2)



NOTES:

1. MOUNTING PLATE PROPERTIES
 - FLATNESS SHALL NOT EXCEED 0.2mm
 - ROUGHNESS SHALL NOT EXCEED 25S
 - TEMP. SHALL NOT EXCEED 90C (194F)
2. APPLY THERMAL COMPOUND BETWEEN HEATSINK AND MOUNTING PLATE.
3. MOUNTING SCREW TORQUE
 - 1.0-1.3 Nm (0.74-0.96 ft-lbf)
4. SEE MANUAL FOR COMPLETE DETAILS

J. PIOTROWSKI 5-20-09 FRAME SIZE 3
 7-7-09 2A0010J, 4A0001J, 4A0002J
 7-8-09 R00

THIS DOCUMENT AND INFORMATION CONTAINED IN IT ARE CONFIDENTIAL, AND CANNOT BE COPIED OR DISCLOSED IN WHOLE OR IN PART WITHOUT THE EXPRESS WRITTEN CONSENT OF ELECTRIC AMERICA INC.

DD.V1K.FR3.FNL.01