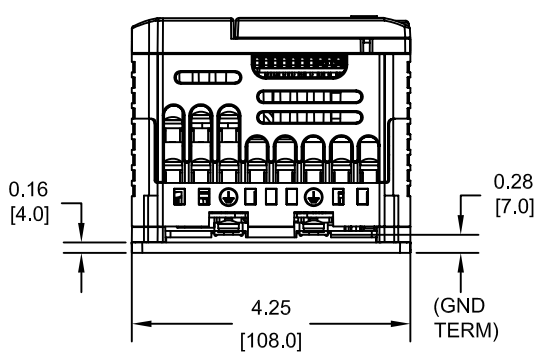
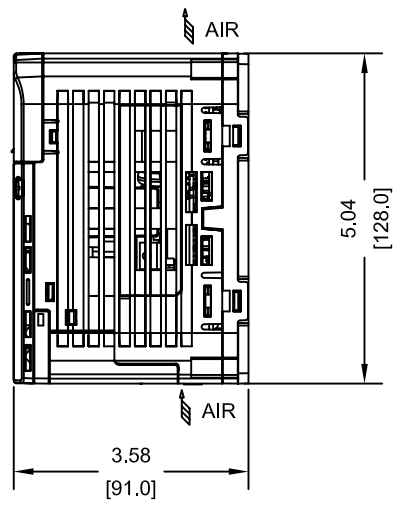
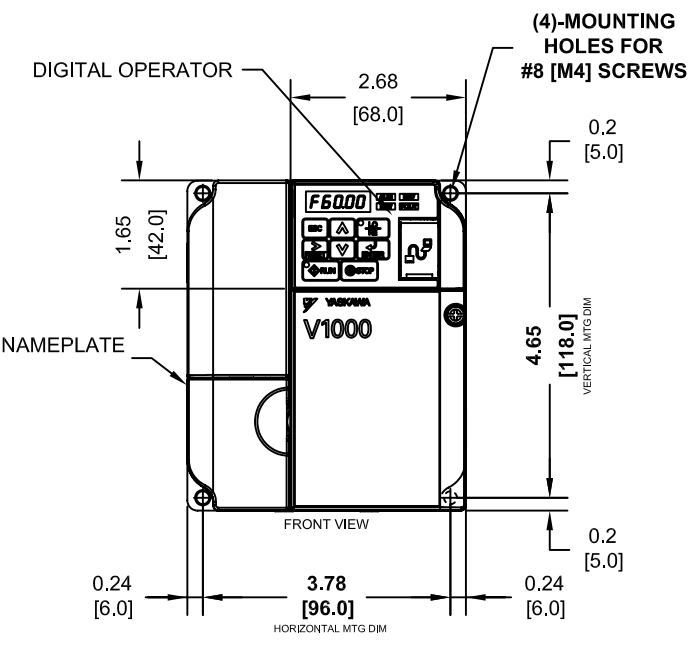


FINLESS HEATSINK



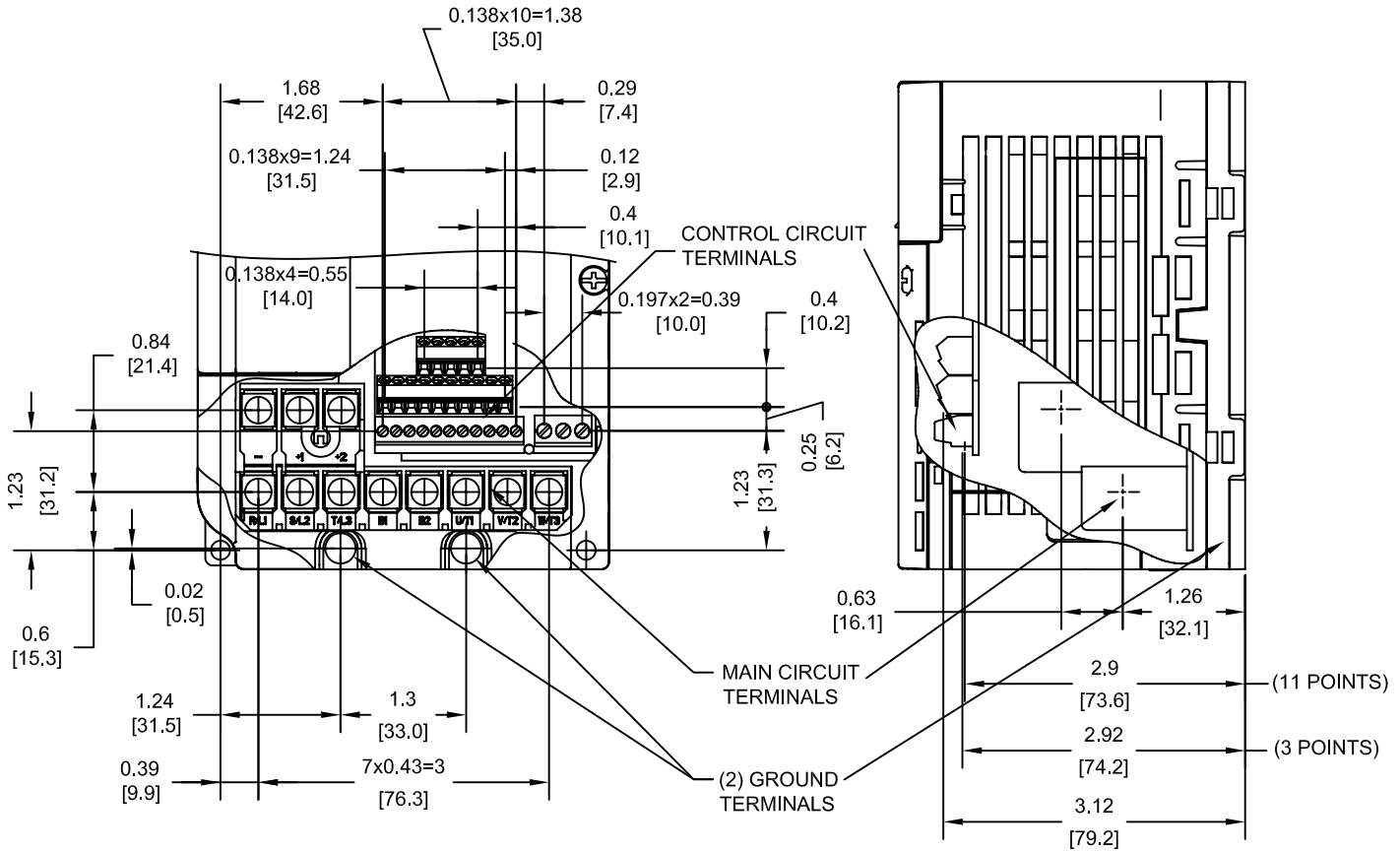
MODEL # CIMR-VU	VOLTAGE SINGLE PHASE (VAC)	OUTPUT CURRENT (A)		WEIGHT LBS (Kg)	HEAT LOSS (W)					
		ND	HD		ND (Fc=2kHz)			HD (Fc=8kHz)		
					INT	EXT	TOT	INT	EXT	TOT
BA0010JXX	208/240	9.6	8.0	2.4 (1.1)	29.8	51.7	81.5	25.9	54.8	80.7

NOTE:
XX DENOTES AA-ZZ
INT=INTERNAL COMPONENTS
EXT=EXTERNAL HEATSINK
TOT=TOTAL

FOR ADDITIONAL DETAILS AND SPECIFICATIONS, CONSULT MANUAL

TOLERANCES / REFERENCES:		<p>THIS DOCUMENT AND INFORMATION CONTAINED IN IT ARE CONFIDENTIAL, AND CANNOT BE COPIED OR DISCLOSED IN WHOLE OR IN PART WITHOUT THE EXPRESS WRITTEN CONSENT OF YASKAWA ELECTRIC AMERICA INC.</p>	DRAWN: J. MATTAS DATE: 1-6-09	DATE: 1-6-09	TITLE: V1000 DIMENSION DRAWING FRAME SIZE 5 FINLESS HEATSINK BA0010J			
UNITS: IN [mm]	SCALE: 1:3		CHECKED: J. PIOTROWSKI DATE: 5-20-09	DATE: 5-20-09		SIZE: A	REVISION: R00	PAGE: 1 of 3
			APPROVED: T. SASADA DATE: 7-8-09	DATE: 7-8-09		DRAWING #: DD.V1K.FR5.FNL.01		

TERMINAL AND WIRING DETAILS (SCALE 1:2)



TERMINAL AND WIRE SPECIFICATIONS FOR
MAIN CIRCUIT AND GROUND

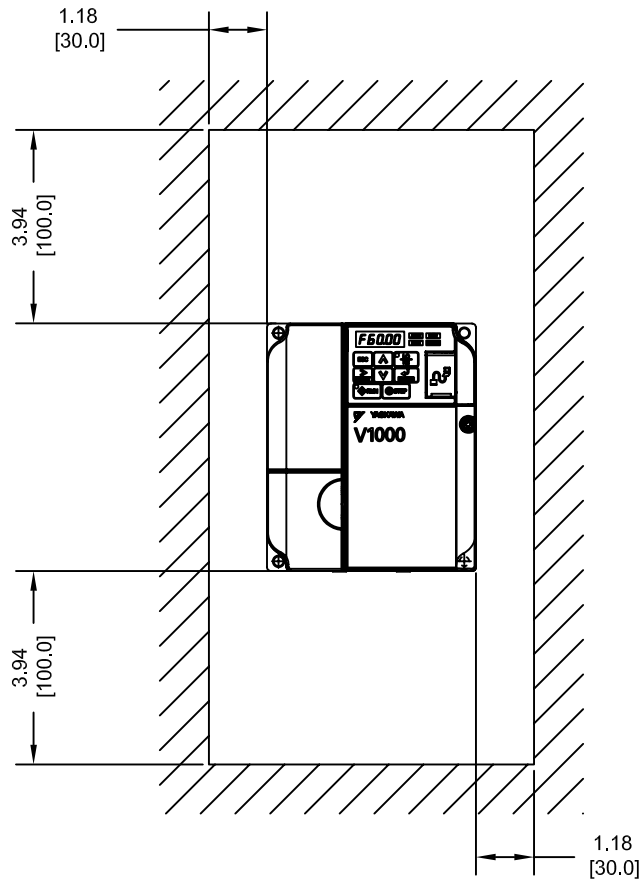
MODEL # CIMR-VU	TERMINAL SCREW	CLAMPING TORQUE lb.in.(N.m.)	WIRE RANGE AWG(mm ²)
BA0010J	M4	10.6 TO 13.3 (1.2 TO 1.5)	22-10 (0.33-5.5)

NOTE: RATINGS APPLY TO BOTH FACTORY AND FIELD WIRING
REFER TO APPLICABLE CODES FOR PROPER WIRE TYPE AND SIZE

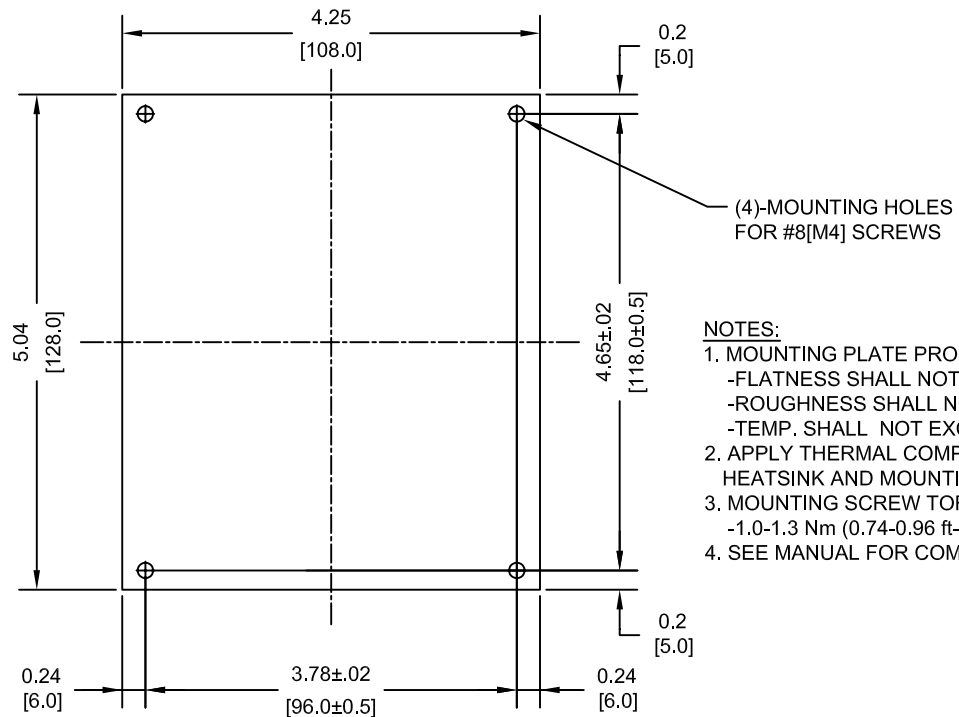
FOR ADDITIONAL DETAILS AND SPECIFICATIONS, CONSULT MANUAL

TOLERANCES / REFERENCES:	<p>YASKAWA The Drive for Quality™</p> <p>THIS DOCUMENT AND INFORMATION CONTAINED IN IT ARE CONFIDENTIAL, AND CANNOT BE COPIED OR DISCLOSED IN WHOLE OR IN PART WITHOUT THE EXPRESS WRITTEN CONSENT OF YASKAWA ELECTRIC AMERICA INC.</p>	DRAWN: J. MATTAS	DATE 1-6-09	TITLE: V1000 DIMENSION DRAWING FRAME SIZE 5 FINLESS HEATSINK BA0010J		
		CHECKED: J. PIOTROWSKI	DATE 5-20-09			
		TECH: J. CAIRO	DATE 7-7-09			
		APPROVED: T. SASADA	DATE 7-8-09			
UNITS: IN [mm]	SCALE: BY VIEW	ORIGINAL DESIGN: -	DATE -	SIZE A	REVISION R00	PAGE 2 of 3
				DRAWING #: DD.V1K.FR5.FNL.01		

MINIMUM INSTALLATION CLEARANCES (SCALE 1:4)



MOUNTING DIMENSIONS (SCALE 1:2)



NOTES:

1. MOUNTING PLATE PROPERTIES
 - FLATNESS SHALL NOT EXCEED 0.2mm
 - ROUGHNESS SHALL NOT EXCEED 25S
 - TEMP. SHALL NOT EXCEED 90C (194F)
2. APPLY THERMAL COMPOUND BETWEEN HEATSINK AND MOUNTING PLATE.
3. MOUNTING SCREW TORQUE
 - 1.0-1.3 Nm (0.74-0.96 ft-lbf)
4. SEE MANUAL FOR COMPLETE DETAILS

TOLERANCES / REFERENCES:		<p>YASKAWA The Drive for Quality™</p> <p>THIS DOCUMENT AND INFORMATION CONTAINED IN IT ARE CONFIDENTIAL, AND CANNOT BE COPIED OR DISCLOSED IN WHOLE OR IN PART WITHOUT THE EXPRESS WRITTEN CONSENT OF YASKAWA ELECTRIC AMERICA INC.</p>	DRAWN: J. MATTAS DATE: 1-6-09	DATE: 1-6-09	TITLE: V1000 DIMENSION DRAWING FRAME SIZE 5 FINLESS HEATSINK BA0010J
			CHECKED: J. PIOTROWSKI DATE: 5-20-09	DATE: 5-20-09	
			TECH: J. CAIRO DATE: 7-7-09	DATE: 7-7-09	
			APPROVED: T. SASADA DATE: 7-8-09	DATE: 7-8-09	
UNITS: IN [mm]	SCALE: BY VIEW	ORIGINAL DESIGN:			SIZE: A REVISION: R00 PAGE: 3 of 3
			DRAWING #:		DD.V1K.FR5.FNL.01