

MODEL # CIMR-VU	VOLTAGE THREE PHASE (VAC)	OUTPUT CURRENT (A)		WEIGHT LBS (Kg)	HEAT LOSS (W)					
		ND	HD		ND (Fc=2kHz)			HD (Fc=8kHz)		
					INT	EXT	TOT	INT	EXT	TOT
4A0005JXX	380/480	5.4	4.8	2.2 (1.0)	21.8	44.5	66.3	26.2	70.7	96.9
4A0007JXX		6.9	5.5	2.4 (1.1)	28.4	58.5	86.9	30.7	81.0	111.7
4A0009JXX		8.8	7.2	2.4 (1.1)	31.4	63.7	95.1	32.9	84.6	117.5

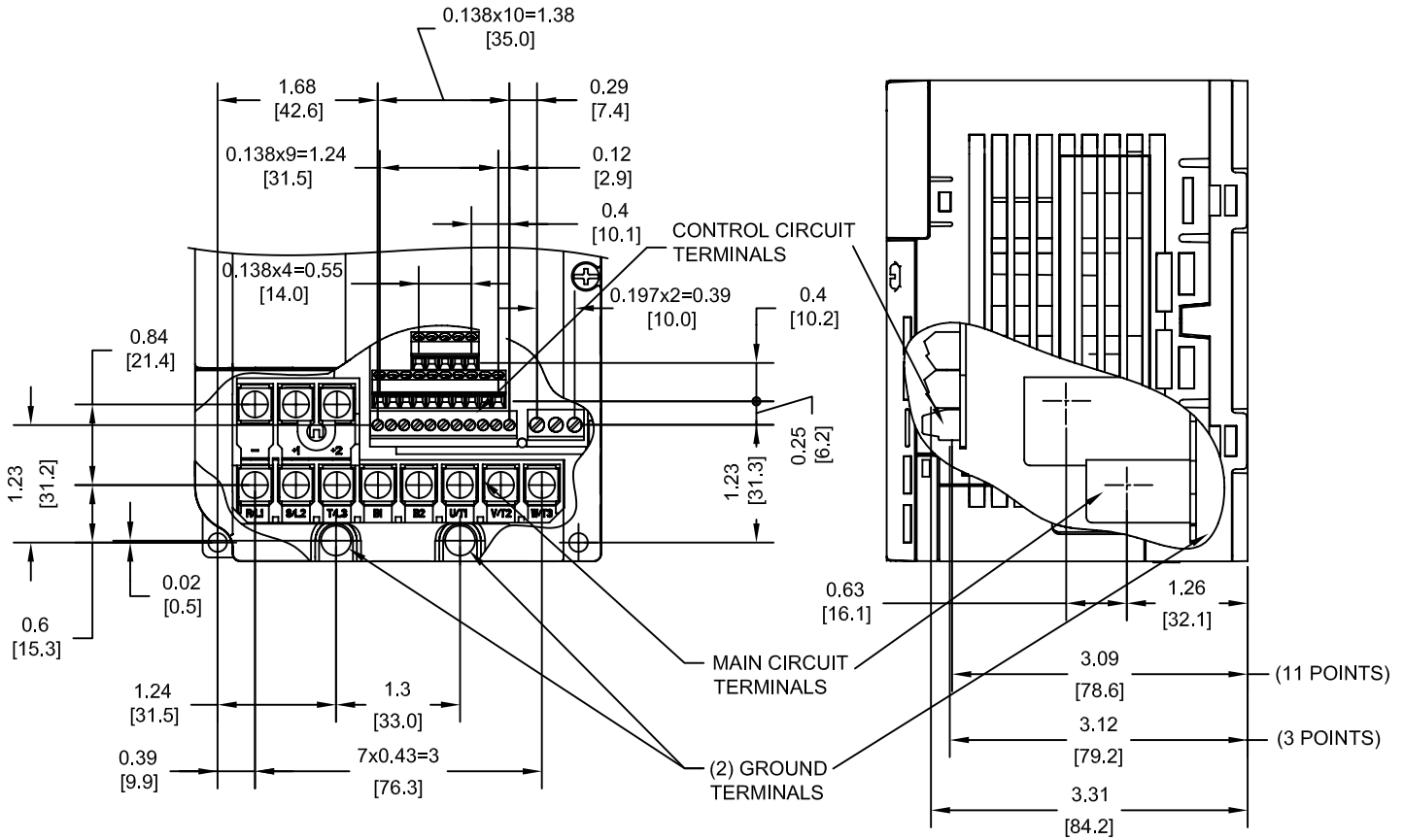
NOTE:  
XX DENOTES AA-ZZ

INT=INTERNAL COMPONENTS  
EXT=EXTERNAL HEATSINK  
TOT=TOTAL

FOR ADDITIONAL DETAILS AND SPECIFICATIONS, CONSULT MANUAL

TOLERANCES / REFERENCES:		<p><b>YASKAWA</b> The Drive for Quality™</p> <p>THIS DOCUMENT AND INFORMATION CONTAINED IN IT ARE CONFIDENTIAL, AND CANNOT BE COPIED OR DISCLOSED IN WHOLE OR IN PART WITHOUT THE EXPRESS WRITTEN CONSENT OF YASKAWA ELECTRIC AMERICA INC.</p>	DRAWN: J. MATTAS DATE 1-6-09	DATE 1-6-09	TITLE: V1000 DIMENSION DRAWING FRAME SIZE 6 FINLESS HEATSINK 4A0005J, 4A0007J & 4A0009J	
UNITS: IN [mm]			CHECKED: J. PIOTROWSKI DATE 5-20-09	DATE 5-20-09		SIZE A
SCALE: 1:3			TECH: J. CAIRO DATE 7-7-09	DATE 7-7-09		REVISION R00
			APPROVED: T. SASADA DATE 7-8-09	DATE 7-8-09		PAGE 1 of 3
		ORIGINAL DESIGN: -	DATE -	DRAWING #: DD.V1K.FR6.FNL.01		

TERMINAL AND WIRING DETAILS (SCALE 1:2)



TERMINAL AND WIRE SPECIFICATIONS FOR  
MAIN CIRCUIT AND GROUND

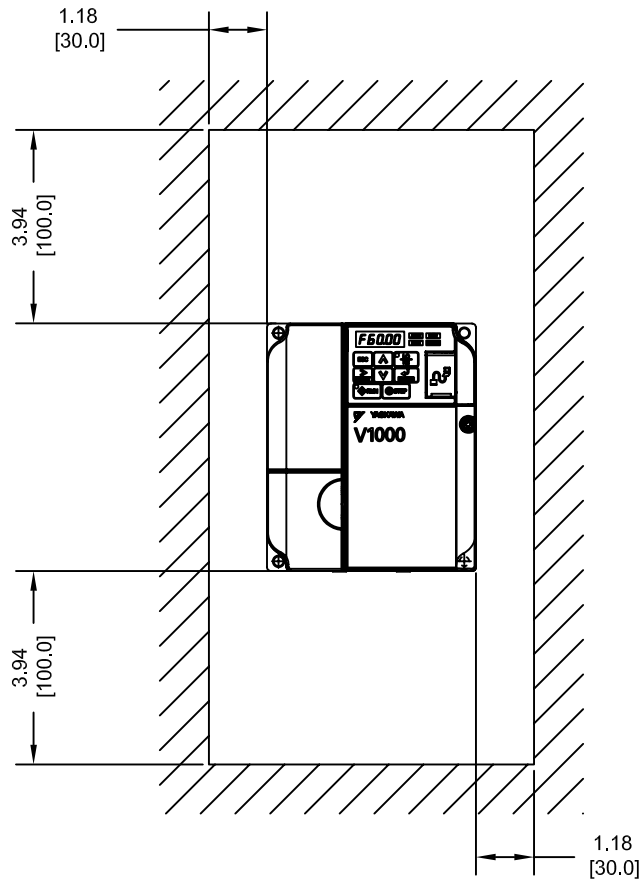
MODEL # CIMR-VU	TERMINAL SCREW	CLAMPING TORQUE lb.in.(N.m.)	WIRE RANGE AWG(mm <sup>2</sup> )
4A0005J	M4	10.6 TO 13.3 (1.2 TO 1.5)	22-10 (0.33-5.5)
4A0007J	M4	10.6 TO 13.3 (1.2 TO 1.5)	22-10 (0.33-5.5)
4A0009J	M4	10.6 TO 13.3 (1.2 TO 1.5)	22-10 (0.33-5.5)

NOTE: RATINGS APPLY TO BOTH FACTORY AND FIELD WIRING  
REFER TO APPLICABLE CODES FOR PROPER WIRE TYPE AND SIZE

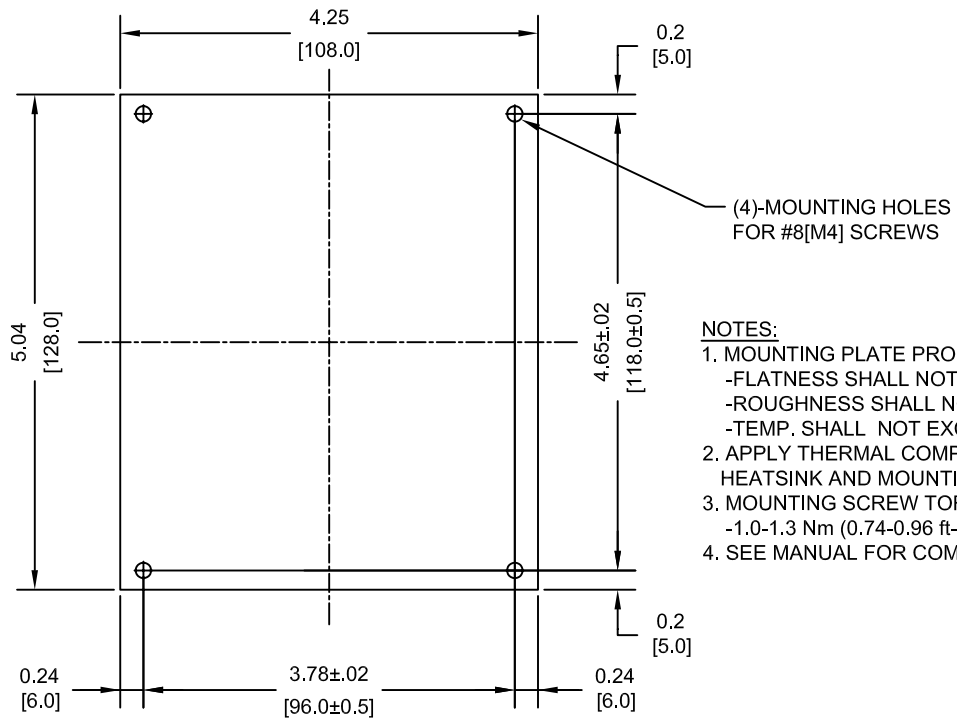
FOR ADDITIONAL DETAILS AND SPECIFICATIONS, CONSULT MANUAL

TOLERANCES / REFERENCES:		<p><b>YASKAWA</b> The Drive for Quality™</p> <p><i>THIS DOCUMENT AND INFORMATION CONTAINED IN IT ARE CONFIDENTIAL, AND CANNOT BE COPIED OR DISCLOSED IN WHOLE OR IN PART WITHOUT THE EXPRESS WRITTEN CONSENT OF YASKAWA ELECTRIC AMERICA INC.</i></p>	DRAWN: J. MATTAS DATE 1-6-09	DATE 1-6-09	TITLE: V1000 DIMENSION DRAWING FRAME SIZE 6 FINLESS HEATSINK 4A0005J, 4A0007J & 4A0009J
UNITS: IN [mm]			CHECKED: J. PIOTROWSKI DATE 5-20-09	DATE 5-20-09	
SCALE: BY VIEW			TECH: J. CAIRO DATE 7-7-09	DATE 7-7-09	
			APPROVED: T. SASADA DATE 7-8-09	DATE 7-8-09	
		ORIGINAL DESIGN:	-	DATE	-
		DRAWING #:			SIZE A
					REVISION R00
					PAGE 2 of 3
		DRAWING #:			
		DD.V1K.FR6.FNL.01			

MINIMUM INSTALLATION CLEARANCES (SCALE 1:4)



MOUNTING DIMENSIONS (SCALE 1:2)



NOTES:

1. MOUNTING PLATE PROPERTIES
  - FLATNESS SHALL NOT EXCEED 0.2mm
  - ROUGHNESS SHALL NOT EXCEED 25S
  - TEMP. SHALL NOT EXCEED 90C (194F)
2. APPLY THERMAL COMPOUND BETWEEN HEATSINK AND MOUNTING PLATE.
3. MOUNTING SCREW TORQUE
  - 1.0-1.3 Nm (0.74-0.96 ft-lbf)
4. SEE MANUAL FOR COMPLETE DETAILS

TOLERANCES / REFERENCES:		<p><b>YASKAWA</b> The Drive for Quality™</p> <p><i>THIS DOCUMENT AND INFORMATION CONTAINED IN IT ARE CONFIDENTIAL, AND CANNOT BE COPIED OR DISCLOSED IN WHOLE OR IN PART WITHOUT THE EXPRESS WRITTEN CONSENT OF YASKAWA ELECTRIC AMERICA INC.</i></p>	DRAWN: J. MATTAS	DATE: 1-6-09	TITLE: V1000 DIMENSION DRAWING FRAME SIZE 6 FINLESS HEATSINK 4A0005J, 4A0007J & 4A0009J
			CHECKED: J. PIOTROWSKI	DATE: 5-20-09	
			TECH: J. CAIRO	DATE: 7-7-09	
			APPROVED: T. SASADA	DATE: 7-8-09	
UNITS: IN [mm]	SCALE: BY VIEW	ORIGINAL DESIGN:		DATE:	
					DRAWING #: <b>DD.V1K.FR6.FNL.01</b>
			SIZE: A	REVISION: R00	PAGE: 3 of 3