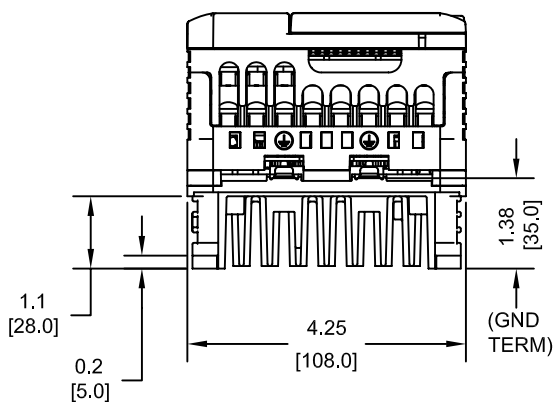
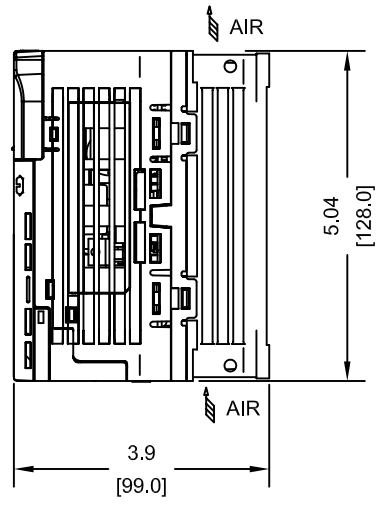
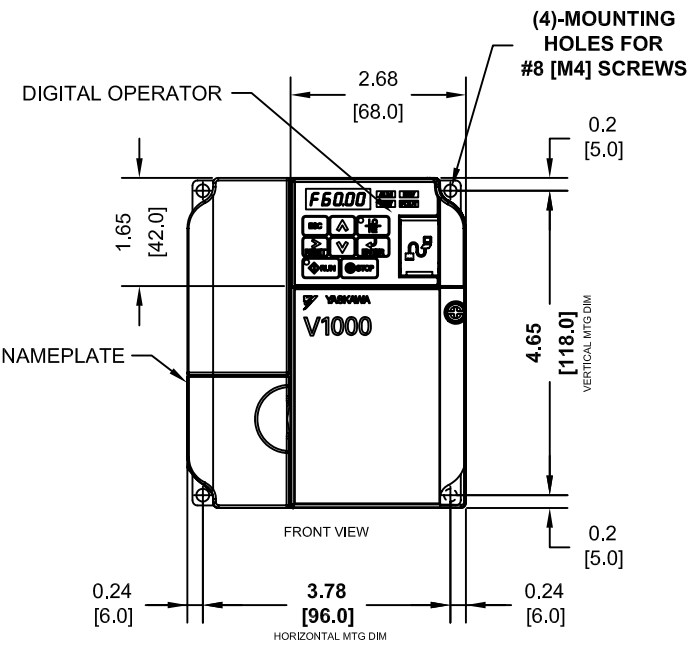
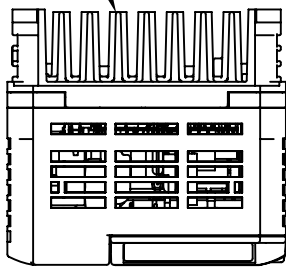


NATURAL CONVECTION COOLING



MODEL # CIMR-VU	VOLTAGE THREE PHASE (VAC)	OUTPUT CURRENT (A)		WEIGHT LBS (Kg)	HEAT LOSS (W)					
		ND	HD		ND (Fc=2kHz)			HD (Fc=8kHz)		
					INT	EXT	TOT	INT	EXT	TOT
4A0002BXX	380/480	2.1	1.8	2.6 (1.2)	13.9	18.5	32.4	14.8	28.9	43.7

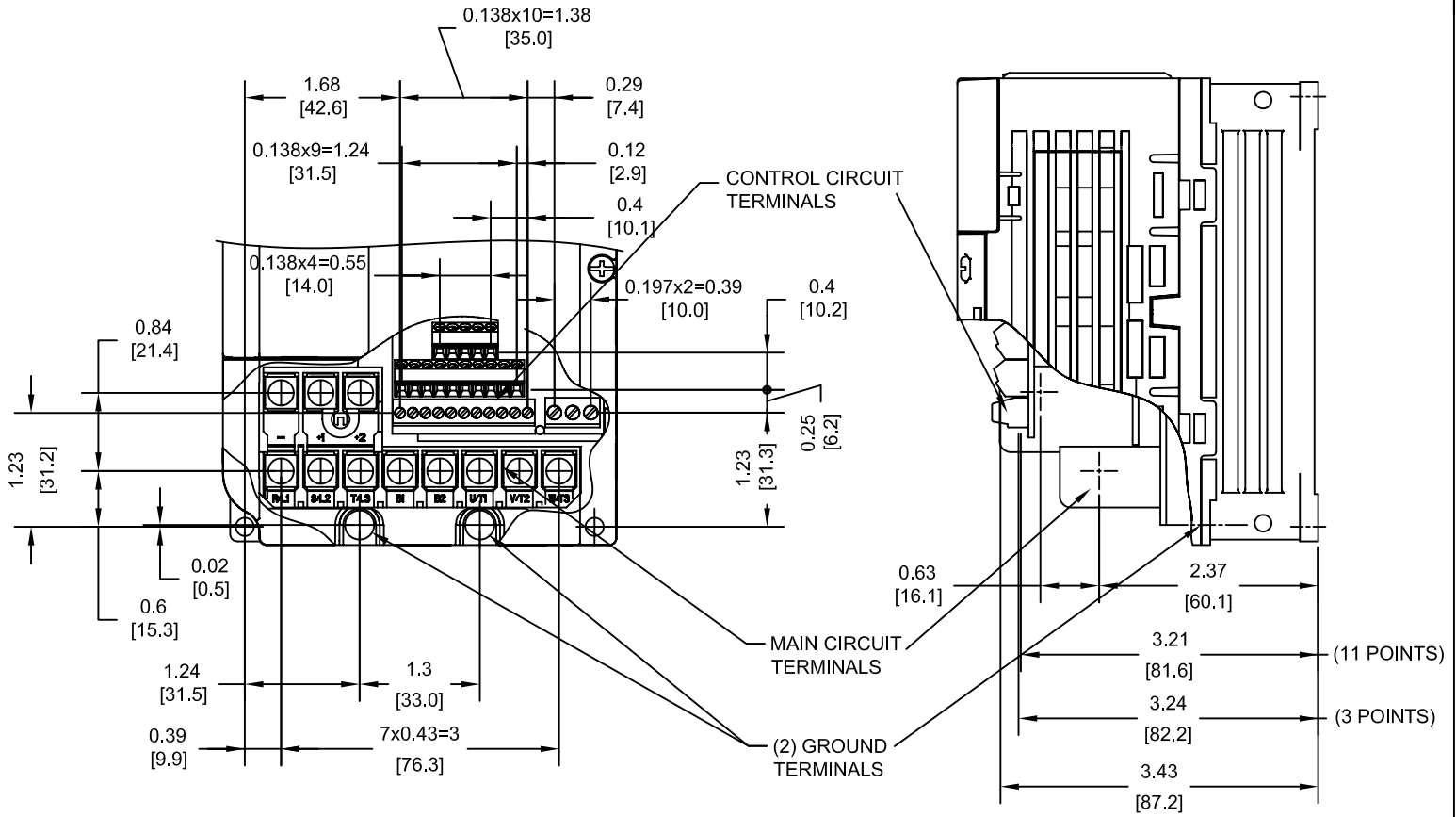
NOTE:  
XX DENOTES AA-ZZ

INT=INTERNAL COMPONENTS  
EXT=EXTERNAL HEATSINK  
TOT=TOTAL

FOR ADDITIONAL DETAILS AND SPECIFICATIONS, CONSULT MANUAL

TOLERANCES / REFERENCES:		<p><b>YASKAWA</b> The Drive for Quality™</p> <p><i>THIS DOCUMENT AND INFORMATION CONTAINED IN IT ARE CONFIDENTIAL, AND CANNOT BE COPIED OR DISCLOSED IN WHOLE OR IN PART WITHOUT THE EXPRESS WRITTEN CONSENT OF YASKAWA ELECTRIC AMERICA INC.</i></p>	DRAWN: J. MATTAS DATE: 1-21-09	DATE: 1-21-09	TITLE: V1000 DIMENSION DRAWING FRAME SIZE 6 OPEN ENCLOSURE (IP20 RATING) 4A0002B	
UNITS: IN [mm]	SCALE: 1:3		CHECKED: J. PIOTROWSKI DATE: 8-21-09	DATE: 8-21-09		
			TECH: J. CAIRO DATE: 8-24-09	DATE: 8-24-09		
			APPROVED: T. SASADA DATE: 8-28-09	DATE: 8-28-09		
		ORIGINAL DESIGN: -	DATE: -	SIZE: A	REVISION: R00	PAGE: 1 of 3
				DRAWING #: <b>DD.V1K.FR6.IP20</b>		

TERMINAL AND WIRING DETAILS (SCALE 1:2)



TERMINAL AND WIRE SPECIFICATIONS FOR  
MAIN CIRCUIT AND GROUND

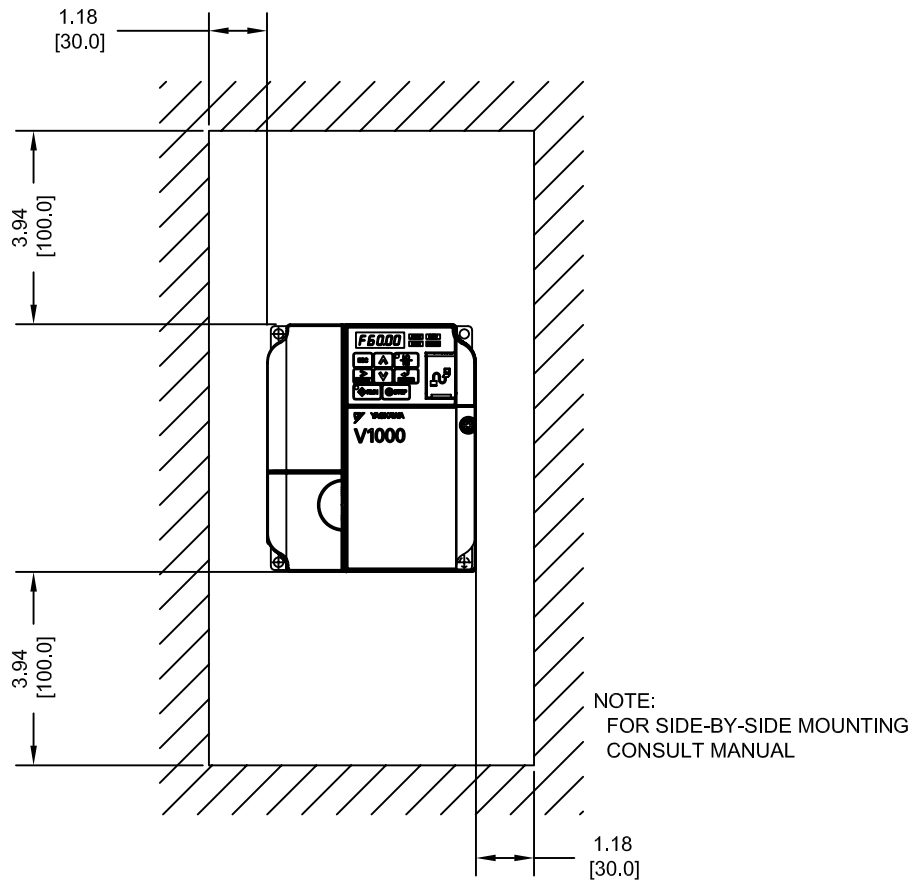
MODEL # CIMR-VU	TERMINAL SCREW	CLAMPING TORQUE lb.in.(N.m.)	WIRE RANGE AWG(mm <sup>2</sup> )
4A0002B	M4	10.6 TO 13.3 (1.2 TO 1.5)	22-10 (0.33-5.5)

NOTE: RATINGS APPLY TO BOTH FACTORY AND FIELD WIRING  
REFER TO APPLICABLE CODES FOR PROPER WIRE TYPE AND SIZE

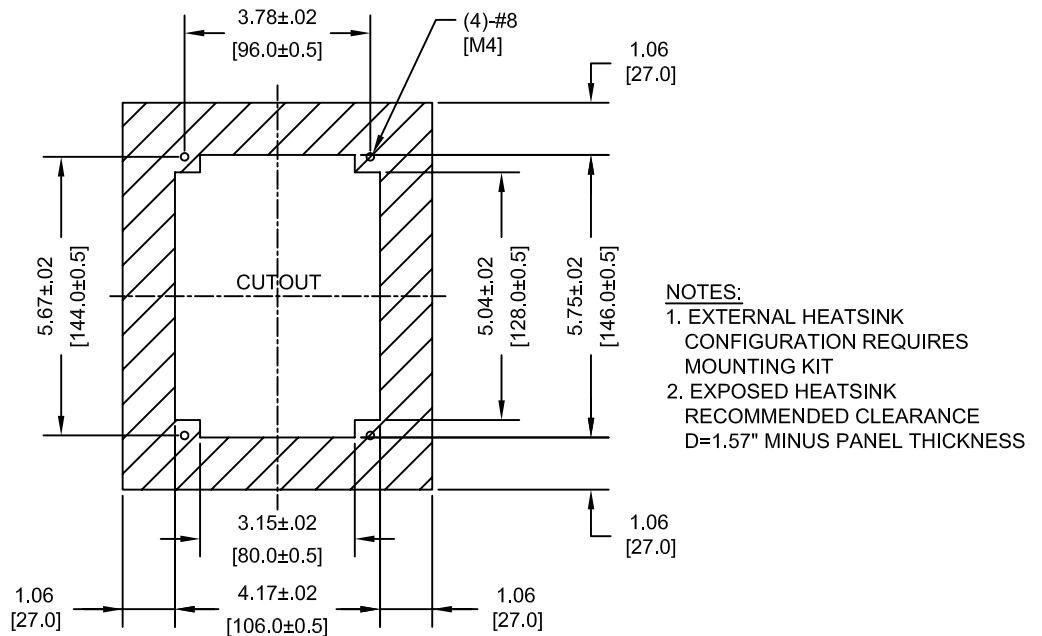
FOR ADDITIONAL DETAILS AND SPECIFICATIONS, CONSULT MANUAL

TOLERANCES / REFERENCES:		<p>THIS DOCUMENT AND INFORMATION CONTAINED IN IT ARE CONFIDENTIAL, AND CANNOT BE COPIED OR DISCLOSED IN WHOLE OR IN PART WITHOUT THE EXPRESS WRITTEN CONSENT OF YASKAWA ELECTRIC AMERICA INC.</p>	DRAWN: J. MATTAS CHECKED: J. PIOTROWSKI TECH: J. CAIRO APPROVED: T. SASADA ORIGINAL DESIGN: -	DATE 1-21-09 DATE 8-21-09 DATE 8-24-09 DATE 8-28-09 DATE -	TITLE: V1000 DIMENSION DRAWING FRAME SIZE 6 OPEN ENCLOSURE (IP20 RATING) 4A0002B
UNITS: IN[mm]	SCALE: BY VIEW		SIZE A	REVISION R00	PAGE 2 of 3
			DRAWING #: <b>DD.V1K.FR6.IP20</b>		

MINIMUM INSTALLATION CLEARANCES (SCALE 1:4)



PANEL CUTOUT FOR EXTERNAL HEATSINK MOUNTING CONFIGURATION (SCALE 1:4)



TOLERANCES / REFERENCES:		<p><b>YASKAWA</b> The Drive for Quality™</p> <p>THIS DOCUMENT AND INFORMATION CONTAINED IN IT ARE CONFIDENTIAL, AND CANNOT BE COPIED OR DISCLOSED IN WHOLE OR IN PART WITHOUT THE EXPRESS WRITTEN CONSENT OF YASKAWA ELECTRIC AMERICA INC.</p>	DRAWN: J. MATTAS DATE: 1-21-09	DATE: 1-21-09	TITLE: V1000 DIMENSION DRAWING FRAME SIZE 6 OPEN ENCLOSURE (IP20 RATING) 4A0002B	
			CHECKED: J. PIOTROWSKI DATE: 8-21-09	DATE: 8-21-09		
			TECH: J. CAIRO DATE: 8-24-09	DATE: 8-24-09		
			APPROVED: T. SASADA DATE: 8-28-09	DATE: 8-28-09		
UNITS: IN [mm]	SCALE: BY VIEW	ORIGINAL DESIGN: -	DATE: -	SIZE: A	REVISION: R00	PAGE: 3 of 3
DRAWING #:			DD.V1K.FR6.IP20			