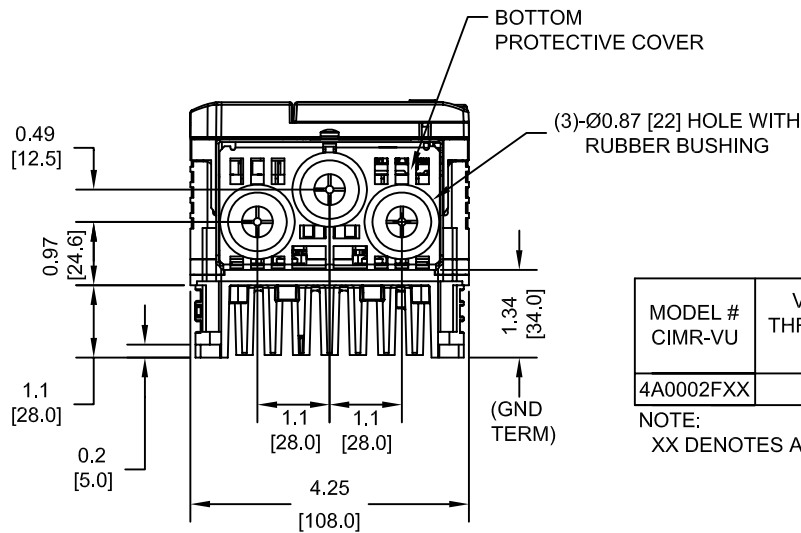
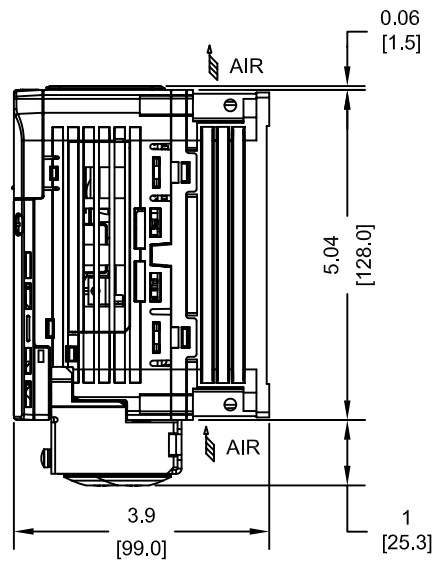
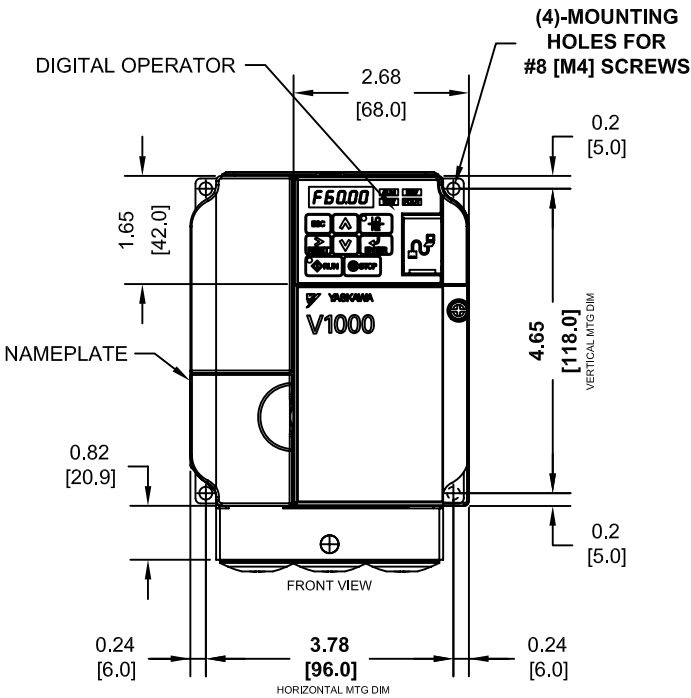
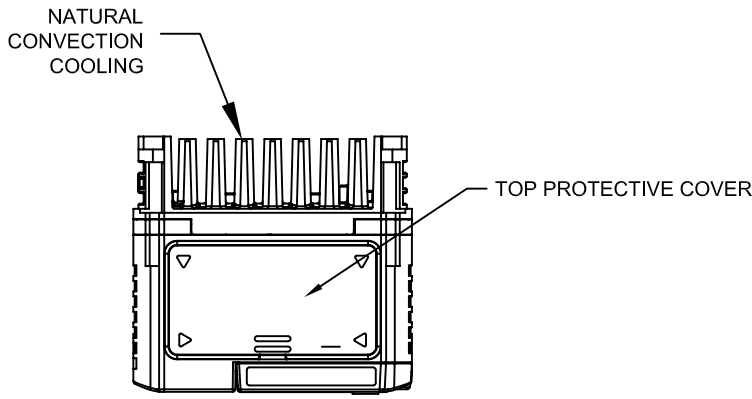


**NOTE:**  
 PROTECTIVE COVERS ARE FACTORY INSTALLED TO THE TOP AND BOTTOM OF THE DRIVE TO MEET IP20 & NEMA TYPE 1 REQUIREMENTS, RESULTING IN AN AMBIENT TEMPERATURE RATING OF 104F(40C). REMOVE THESE COVERS WHEN OPERATING THE DRIVE WITHIN A PANEL TO OBTAIN THE MAXIMUM SURROUNDING AIR TEMPERATURE RATING OF 122F(50C). REMOVING THESE COVERS RESULTS IN AN ENCLOSURE RATING OF IP00.



MODEL # CIMR-VU	VOLTAGE THREE PHASE (VAC)	OUTPUT CURRENT (A)		WEIGHT LBS (Kg)	HEAT LOSS (W)					
		ND	HD		ND (Fc=2kHz)			HD (Fc=8kHz)		
					INT	EXT	TOT	INT	EXT	TOT
4A0002FXX	380/480	2.1	1.8	3.1 (1.4)	13.9	18.5	32.4	14.8	28.9	43.7

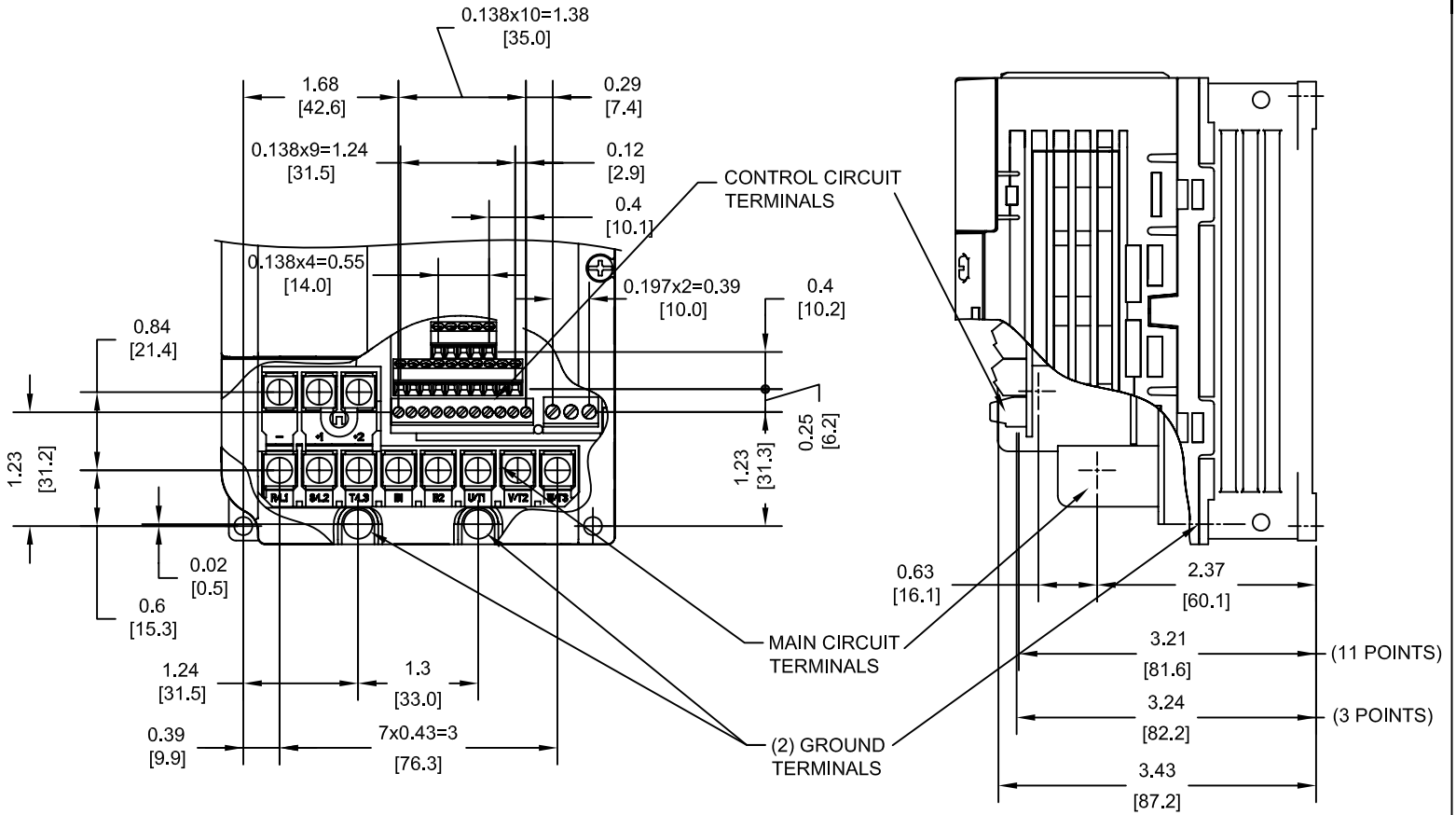
**NOTE:**  
 XX DENOTES AA-ZZ

INT=INTERNAL COMPONENTS  
 EXT=EXTERNAL HEATSINK  
 TOT=TOTAL

FOR ADDITIONAL DETAILS AND SPECIFICATIONS, CONSULT MANUAL

TOLERANCES / REFERENCES:		<p><b>YASKAWA</b> The Drive for Quality™</p> <p><i>THIS DOCUMENT AND INFORMATION CONTAINED IN IT ARE CONFIDENTIAL, AND CANNOT BE COPIED OR DISCLOSED IN WHOLE OR IN PART WITHOUT THE EXPRESS WRITTEN CONSENT OF YASKAWA ELECTRIC AMERICA INC.</i></p>	DRAWN: J. MATTAS CHECKED: M. RUCINSKI TECH: J. CAIRO APPROVED: T. SASADA ORIGINAL DESIGN: -	DATE 12-11-07 DATE 5-7-08 DATE 3-24-08 DATE 5-27-08 DATE -	TITLE: V1000 DIMENSION DRAWING FRAME SIZE 6 NEMA TYPE 1 ENCLOSURE 4A0002F
UNITS: IN[mm]	SCALE: 1:3		SIZE A REVISION R00 DRAWING #: DD.V1K.FR6.N1	PAGE 1 of 3	

TERMINAL AND WIRING DETAILS (SCALE 1:2)




TERMINAL AND WIRE SPECIFICATIONS FOR  
MAIN CIRCUIT AND GROUND

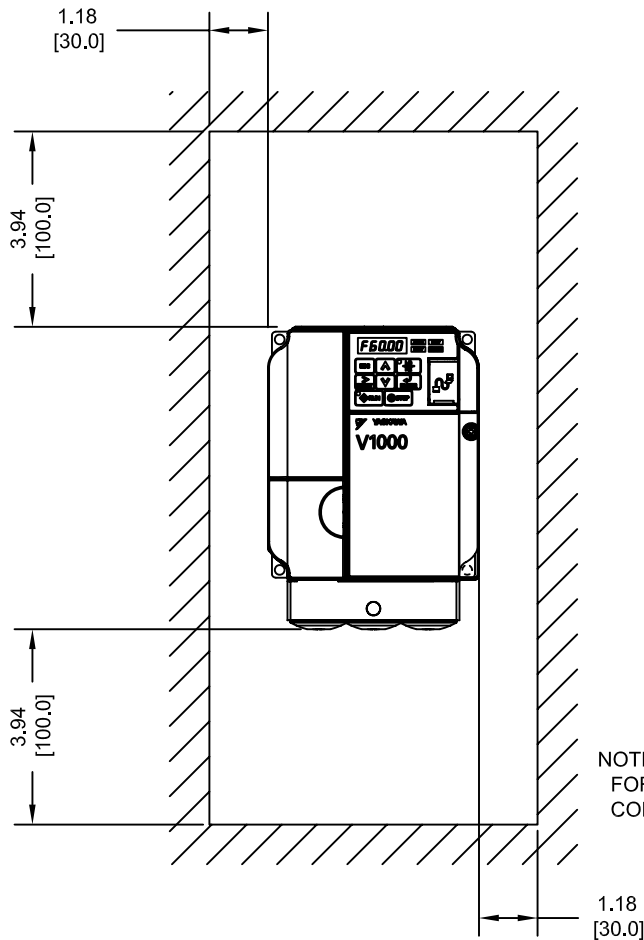
MODEL #	TERMINAL SCREW	CLAMPING TORQUE lb.in.(N.m.)	WIRE RANGE AWG(mm <sup>2</sup> )
4A0002F	M4	10.6 TO 13.3 (1.2 TO 1.5)	22-10 (0.33-5.5)

NOTE: RATINGS APPLY TO BOTH FACTORY AND FIELD WIRING  
REFER TO APPLICABLE CODES FOR PROPER WIRE TYPE AND SIZE

FOR ADDITIONAL DETAILS AND SPECIFICATIONS, CONSULT MANUAL

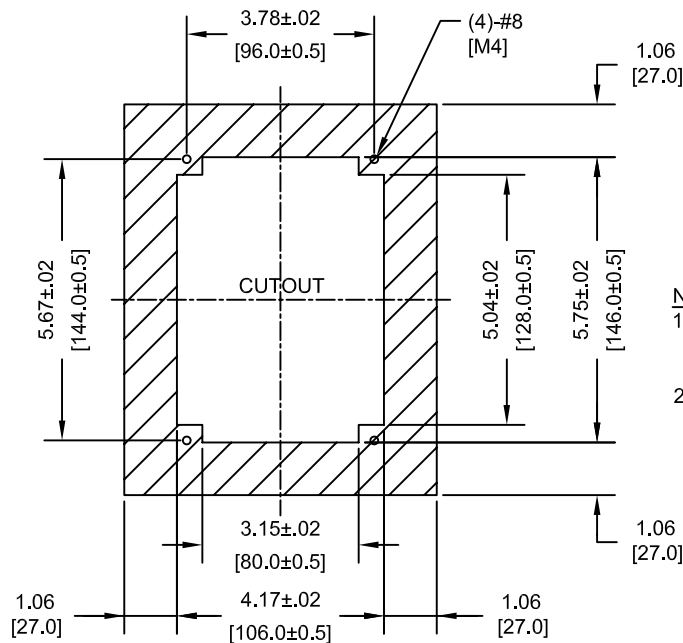
TOLERANCES / REFERENCES:	 <b>YASKAWA</b> <i>The Drive for Quality™</i>	DRAWN:	J. MATTAS	DATE:	12-11-07	TITLE:	V1000 DIMENSION DRAWING		
		CHECKED:	M. RUCINSKI	DATE:	5-7-08		FRAME SIZE 6		
THIS DOCUMENT AND INFORMATION CONTAINED IN IT ARE CONFIDENTIAL, AND CANNOT BE COPIED OR DISCLOSED IN WHOLE OR IN PART WITHOUT THE EXPRESS WRITTEN CONSENT OF YASKAWA ELECTRIC AMERICA INC.		TECH:	J. CAIRO	DATE:	3-24-08	NEMA TYPE 1 ENCLOSURE			
		APPROVED:	T. SASADA	DATE:	5-27-08	SIZE:	REVISION:	PAGE:	
		ORIGINAL DESIGN:	-	DATE:	-	A	R00	2 of 3	
UNITS:	SCALE:					DRAWING #:	DD.V1K.FR6.N1		
IN[mm]	BY VIEW								

MINIMUM INSTALLATION CLEARANCES (SCALE 1:4)




NOTE:  
FOR SIDE-BY-SIDE MOUNTING  
CONSULT MANUAL

PANEL CUTOUT FOR EXTERNAL HEATSINK  
MOUNTING CONFIGURATION (SCALE 1:4)



NOTES:  
1. EXTERNAL HEATSINK  
CONFIGURATION REQUIRES  
MOUNTING KIT  
2. EXPOSED HEATSINK  
RECOMMENDED CLEARANCE  
D=1.57" MINUS PANEL THICKNESS

TOLERANCES / REFERENCES:		 <b>YASKAWA</b> <i>The Drive for Quality™</i>	DRAWN: J. MATTAS	DATE 12-11-07	TITLE: V1000 DIMENSION DRAWING
			CHECKED: M. RUCINSKI	DATE 5-7-08	FRAME SIZE 6
		<i>THIS DOCUMENT AND INFORMATION CONTAINED IN IT ARE CONFIDENTIAL, AND CANNOT BE COPIED OR DISCLOSED IN WHOLE OR IN PART WITHOUT THE EXPRESS WRITTEN CONSENT OF YASKAWA ELECTRIC AMERICA INC.</i>		TECH: J. CAIRO	DATE 3-24-08
				APPROVED: T. SASADA	DATE 5-27-08
				ORIGINAL DESIGN: -	DATE -
UNITS: IN[mm]	SCALE: BY VIEW			SIZE A	REVISION R00
				PAGE 3 of 3	
				DRAWING #: <b>DD.V1K.FR6.N1</b>	