

MODEL # CIMR-VU	VOLTAGE SINGLE PHASE (VAC)	OUTPUT CURRENT (A)		WEIGHT LBS (Kg)	HEAT LOSS (W)					
		ND	HD		ND (Fc=2kHz)			HD (Fc=8kHz)		
					INT	EXT	TOT	INT	EXT	TOT
BA0012JXX	208/240	12.0	11.0	3.1 (1.4)	37.1	61.3	98.4	34.1	70.7	104.8

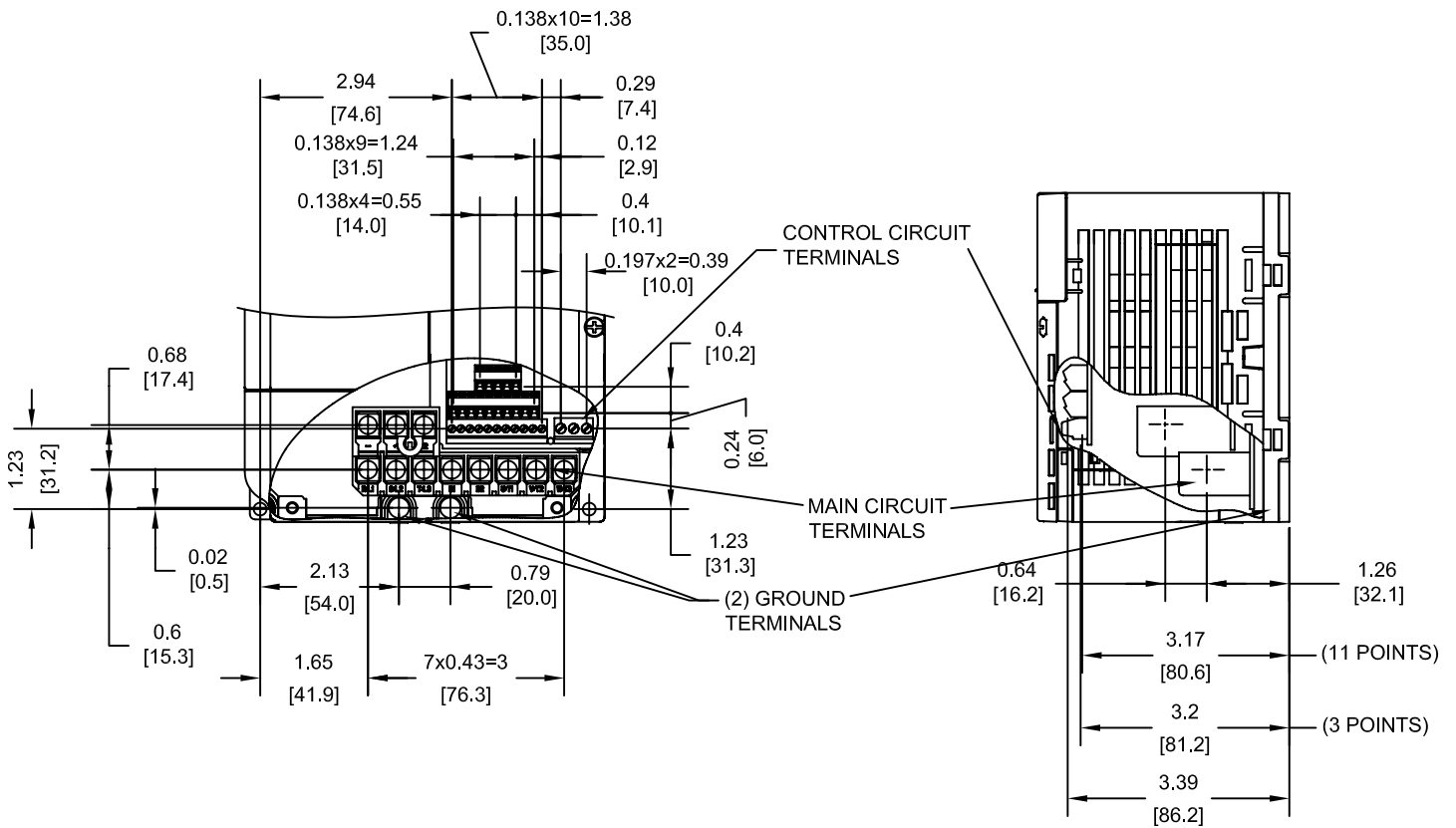
NOTE:  
XX DENOTES AA-ZZ

INT=INTERNAL COMPONENTS  
EXT=EXTERNAL HEATSINK  
TOT=TOTAL

FOR ADDITIONAL DETAILS AND SPECIFICATIONS, CONSULT MANUAL

TOLERANCES / REFERENCES:		<p><b>YASKAWA</b> The Drive for Quality™</p> <p>THIS DOCUMENT AND INFORMATION CONTAINED IN IT ARE CONFIDENTIAL, AND CANNOT BE COPIED OR DISCLOSED IN WHOLE OR IN PART WITHOUT THE EXPRESS WRITTEN CONSENT OF YASKAWA ELECTRIC AMERICA INC.</p>	DRAWN: J. MATTAS DATE 1-7-09	DATE 1-7-09	TITLE: V1000 DIMENSION DRAWING FRAME SIZE 8 FINLESS HEATSINK BA0012J	
			CHECKED: J. PIOTROWSKI DATE 5-20-09	DATE 5-20-09		
			TECH: J. CAIRO DATE 7-7-09	DATE 7-7-09		
			APPROVED: T. SASADA DATE 7-8-09	DATE 7-8-09		
UNITS: IN[mm]	SCALE: 1:4	ORIGINAL DESIGN: -	DATE -	SIZE A	REVISION R00	PAGE 1 of 3
				DRAWING #: <b>DD.V1K.FR8.FNL.01</b>		

TERMINAL AND WIRING DETAILS (SCALE 1:3)



TERMINAL AND WIRE SPECIFICATIONS FOR  
 MAIN CIRCUIT AND GROUND

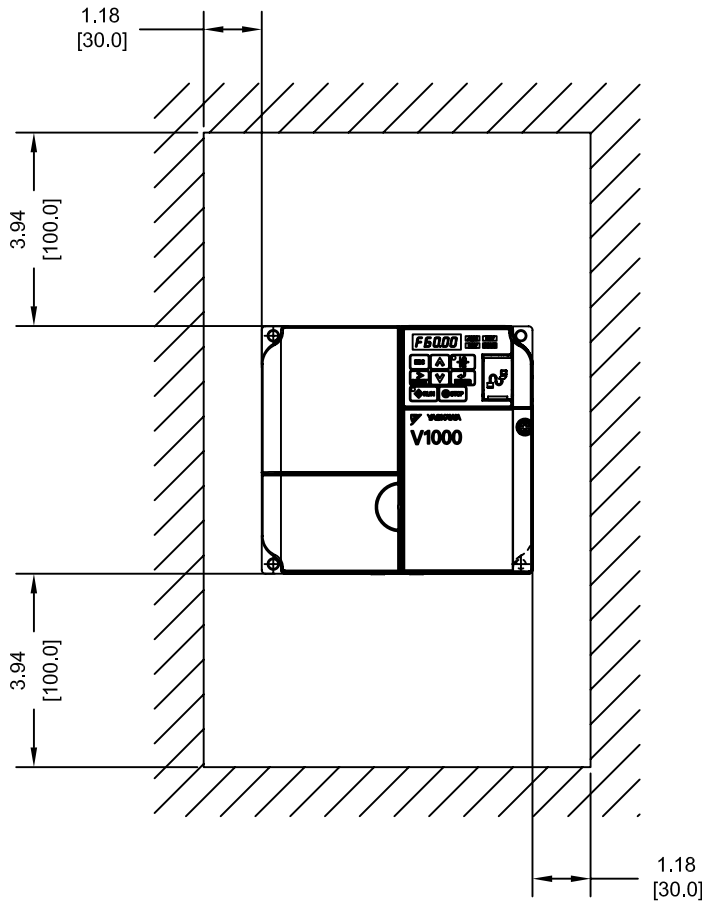
MODEL #	TERMINAL SCREW	CLAMPING TORQUE lb.in.(N.m.)	WIRE RANGE AWG(mm <sup>2</sup> )
CIMR-VU	M4	10.6 TO 13.3 (1.2 TO 1.5)	22-10 (0.33-5.5)

NOTE: RATINGS APPLY TO BOTH FACTORY AND FIELD WIRING  
 REFER TO APPLICABLE CODES FOR PROPER WIRE TYPE AND SIZE

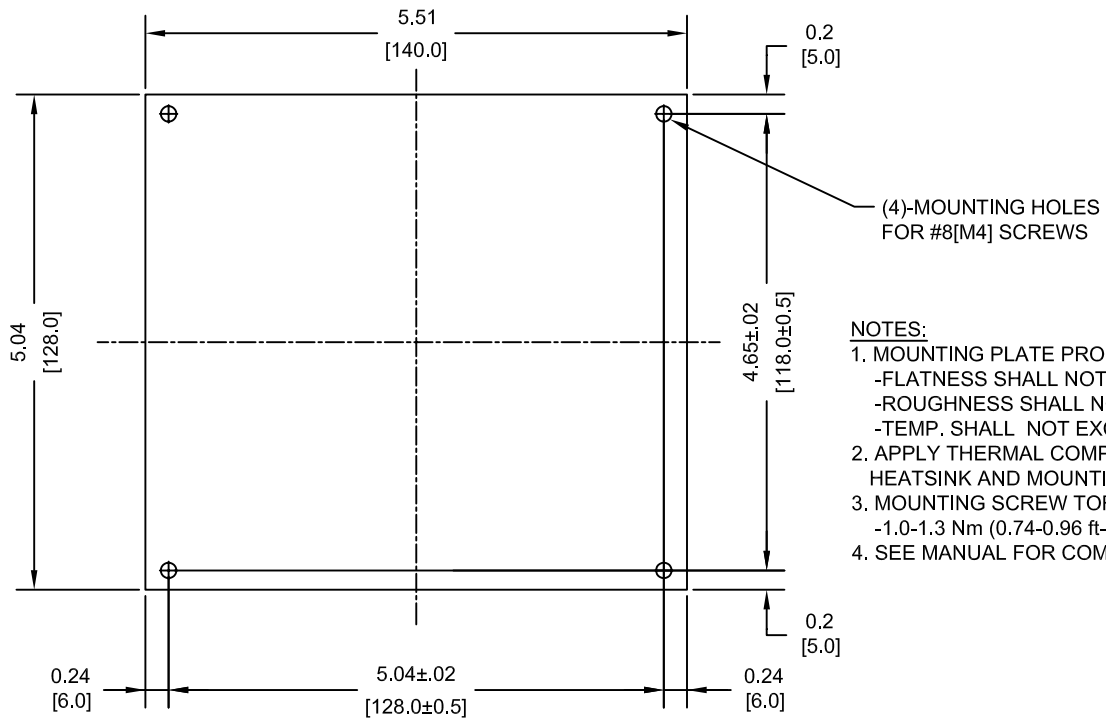
FOR ADDITIONAL DETAILS AND SPECIFICATIONS, CONSULT MANUAL

TOLERANCES / REFERENCES:		<p>THIS DOCUMENT AND INFORMATION CONTAINED IN IT ARE CONFIDENTIAL, AND CANNOT BE COPIED OR DISCLOSED IN WHOLE OR IN PART WITHOUT THE EXPRESS WRITTEN CONSENT OF YASKAWA ELECTRIC AMERICA INC.</p>	DRAWN: J. MATTAS DATE: 1-7-09	TITLE: V1000 DIMENSION DRAWING FRAME SIZE 8 FINLESS HEATSINK BA0012J	
UNITS: IN[mm]			CHECKED: J. PIOTROWSKI DATE: 5-20-09	TECH: J. CAIRO DATE: 7-7-09	SIZE: A
SCALE: BY VIEW			APPROVED: T. SASADA DATE: 7-8-09	ORIGINAL DESIGN: -	REVISION: R00
			DATE: -	DATE: -	PAGE: 2 of 3
DRAWING #: DD.V1K.FR8.FNL.01					

MINIMUM INSTALLATION CLEARANCES (SCALE 1:4)



MOUNTING DIMENSIONS (SCALE 1:2)



NOTES:

1. MOUNTING PLATE PROPERTIES
  - FLATNESS SHALL NOT EXCEED 0.2mm
  - ROUGHNESS SHALL NOT EXCEED 25S
  - TEMP. SHALL NOT EXCEED 90C (194F)
2. APPLY THERMAL COMPOUND BETWEEN HEATSINK AND MOUNTING PLATE.
3. MOUNTING SCREW TORQUE
  - 1.0-1.3 Nm (0.74-0.96 ft-lbf)
4. SEE MANUAL FOR COMPLETE DETAILS

TOLERANCES / REFERENCES:



THIS DOCUMENT AND INFORMATION CONTAINED IN IT ARE CONFIDENTIAL, AND CANNOT BE COPIED OR DISCLOSED IN WHOLE OR IN PART WITHOUT THE EXPRESS WRITTEN CONSENT OF YASKAWA ELECTRIC AMERICA INC.

DRAWN: J. MATTAS

CHECKED: J. PIOTROWSKI

TECH: J. CAIRO

APPROVED: T. SASADA

ORIGINAL DESIGN: -

DATE

1-7-09

DATE

5-20-09

DATE

7-7-09

DATE

7-8-09

DATE

-

TITLE:

V1000 DIMENSION DRAWING

FRAME SIZE 8

FINLESS HEATSINK

BA0012J

SIZE	REVISION	PAGE
A	R00	3 of 3

DRAWING #:

DD.V1K.FR8.FNL.01

UNITS:

IN[mm]

SCALE:

BY VIEW