

MODEL # CIMR-VU	VOLTAGE THREE PHASE (VAC)	OUTPUT CURRENT (A)		WEIGHT LBS (Kg)	HEAT LOSS (W)					
		ND	HD		ND (Fc=2kHz)			HD (Fc=8kHz)		
					INT	EXT	TOT	INT	EXT	TOT
2A0030JXX	208/240	30.0	25.0	7.0 (3.2)	88.9	246.4	335.3	72.2	231.5	303.7
2A0040JXX		40.0	33.0	7.0 (3.2)	112.8	266.7	379.5	82.8	248.5	321.3
4A0018JXX	380/480	17.5	14.8	6.8 (3.1)	80.1	181.2	261.3	62.7	166.0	228.7
4A0023JXX		23.0	18.0	7.0 (3.2)	107.7	213.4	321.1	78.1	207.1	285.2

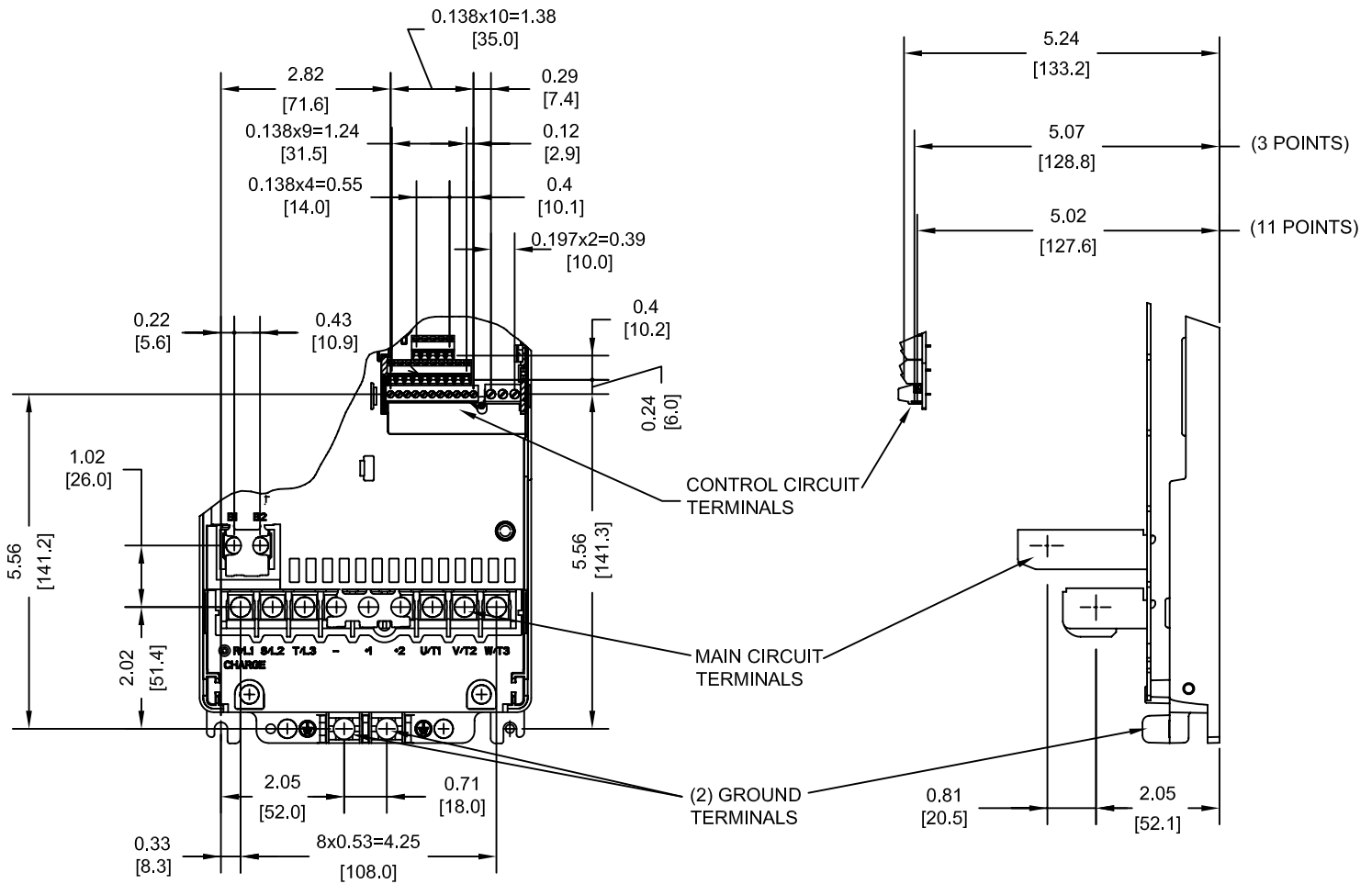
NOTE:
XX DENOTES AA-ZZ

INT=INTERNAL COMPONENTS
EXT=EXTERNAL HEATSINK
TOT=TOTAL

FOR ADDITIONAL DETAILS AND SPECIFICATIONS, CONSULT MANUAL

TOLERANCES / REFERENCES:		<p>YASKAWA The Drive for Quality™</p> <p>THIS DOCUMENT AND INFORMATION CONTAINED IN IT ARE CONFIDENTIAL, AND CANNOT BE COPIED OR DISCLOSED IN WHOLE OR IN PART WITHOUT THE EXPRESS WRITTEN CONSENT OF YASKAWA ELECTRIC AMERICA INC.</p>	DRAWN: J. MATTAS DATE 1-8-09	DATE 1-8-09	TITLE: V1000 DIMENSION DRAWING FRAME SIZE 9 FINLESS HEATSINK 2A0030J, 2A0040J, 4A0018J, 4A0023J	
UNITS: IN[mm]			CHECKED: J. PIOTROWSKI DATE 4-27-09	DATE 4-27-09		SIZE A
SCALE: 1:5			TECH: J. CAIRO DATE 7-7-09	DATE 7-7-09		REVISION R00
			APPROVED: T. SASADA DATE 7-8-09	DATE 7-8-09		PAGE 1 of 3
		ORIGINAL DESIGN: -	DATE -	DRAWING #: DD.V1K.FR9.FNL.01		

TERMINAL AND WIRING DETAILS (SCALE 1:3)



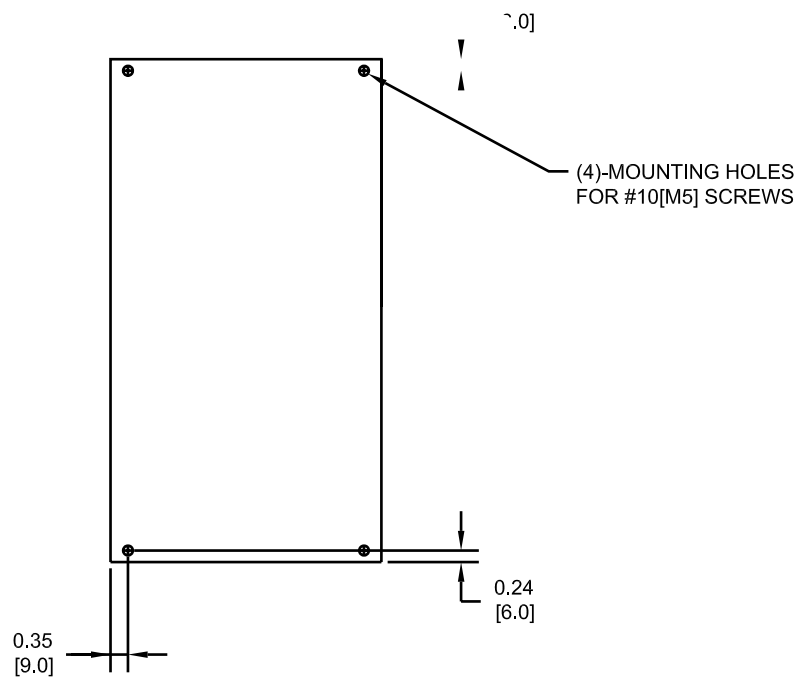
TERMINAL AND WIRE SPECIFICATIONS FOR MAIN CIRCUIT AND GROUND

MODEL # CIMR-VU	TERMINAL SYMBOL	TERMINAL SCREW	CLAMPING TORQUE lb.in.(N.m.)	WIRE RANGE AWG(mm)
2A0030J	R/L1, S/L2, T/L3, ⊖, ⊕1, ⊕2, U/T1, V/T2, W/T3	M4	20.4 (2.3)	12-6 (3.5-14)
	B1, B2	M4	20.4 (2.3)	12-10 (3.5-5.5)
	⊕	M5	17.7-22.1 (2.0-2.5)	10-6 (5.5-14)
2A0040J	R/L1, S/L2, T/L3, ⊖, ⊕1, ⊕2, U/T1, V/T2, W/T3	M4	20.4 (2.3)	12-6 (3.5-14)
	B1, B2	M4	20.4 (2.3)	12-10 (3.5-5.5)
	⊕	M5	17.7-22.1 (2.0-2.5)	10-6 (5.5-14)
4A0018J	R/L1, S/L2, T/L3, ⊖, ⊕1, ⊕2, U/T1, V/T2, W/T3	M4	20.4 (2.3)	12-6 (3.5-14)
	B1, B2	M4	20.4 (2.3)	12-10 (3.5-5.5)
	⊕	M5	17.7-22.1 (2.0-2.5)	10-6 (5.5-14)
4A0023J	R/L1, S/L2, T/L3, ⊖, ⊕1, ⊕2, U/T1, V/T2, W/T3	M4	20.4 (2.3)	12-6 (3.5-14)
	B1, B2	M4	20.4 (2.3)	12-10 (3.5-5.5)
	⊕	M5	17.7-22.1 (2.0-2.5)	10-6 (5.5-14)

NOTE: RATINGS APPLY TO BOTH FACTORY AND FIELD WIRING
REFER TO APPLICABLE CODES FOR PROPER WIRE TYPE AND SIZE

FOR ADDITIONAL DETAILS AND SPECIFICATIONS, CONSULT MANUAL

TOLERANCES / REFERENCES:		DRAWN:	J. MATTAS	DATE:	1-8-09	TITLE:	V1000 DIMENSION DRAWING						
		CHECKED:	J. PIOTROWSKI	DATE:	4-27-09		FRAME SIZE 9 FINLESS HEATSINK						
UNITS: IN[mm]	SCALE: BY VIEW	THIS DOCUMENT AND INFORMATION CONTAINED IN IT ARE CONFIDENTIAL, AND CANNOT BE COPIED OR DISCLOSED IN WHOLE OR IN PART WITHOUT THE EXPRESS WRITTEN CONSENT OF YASKAWA ELECTRIC AMERICA INC.		TECH:	J. CAIRO	DATE:	7-7-09	SIZE:	A	REVISION:	R00	PAGE:	2 of 3
		APPROVED:	T. SASADA	DATE:	7-8-09	DRAWING #:	DD.V1K.FR9.FNL.01						
		ORIGINAL DESIGN:	-	DATE:	-								



J. PIOTROWSKI 4-27-09

7-7-09

7-8-09

FRAME SIZE 9

R00

DD.V1K.FR9.FNL.01