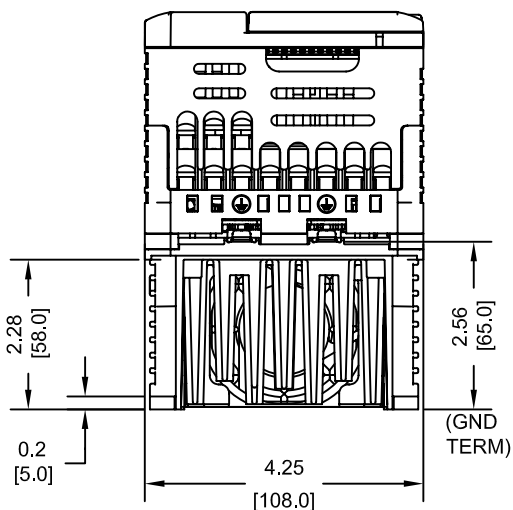
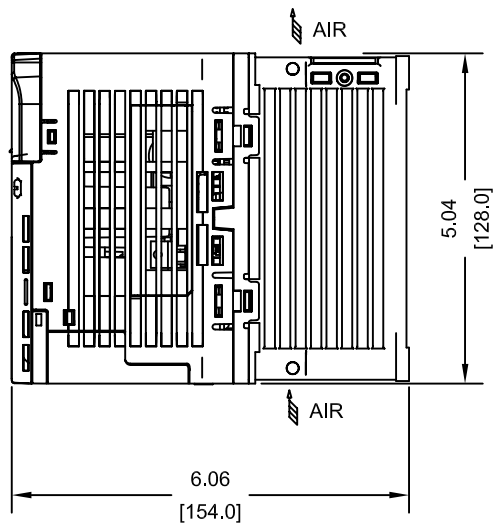
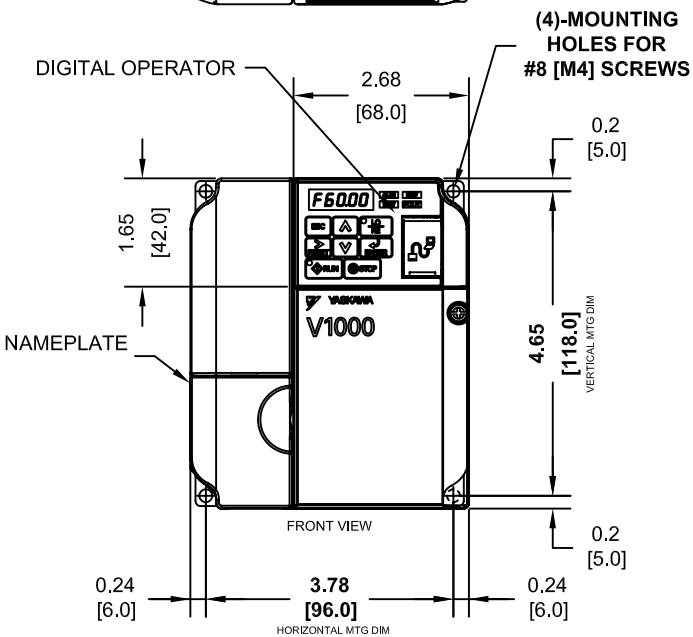


COOLING FAN



MODEL # CIMR-VU	VOLTAGE THREE PHASE (VAC)	OUTPUT CURRENT (A)		WEIGHT LBS (Kg)	HEAT LOSS (W)					
		ND	HD		ND (Fc=2kHz)			HD (Fc=8kHz)		
					INT	EXT	TOT	INT	EXT	TOT
4A0005BXX	380/480	5.4	4.8	3.7 (1.7)	21.8	44.5	66.3	26.2	70.7	96.9
4A0007BXX		6.9	5.5	3.7 (1.7)	28.4	58.5	86.9	30.7	81.0	111.7
4A0009BXX		8.8	7.2	3.7 (1.7)	31.4	63.7	95.1	32.9	84.6	117.5

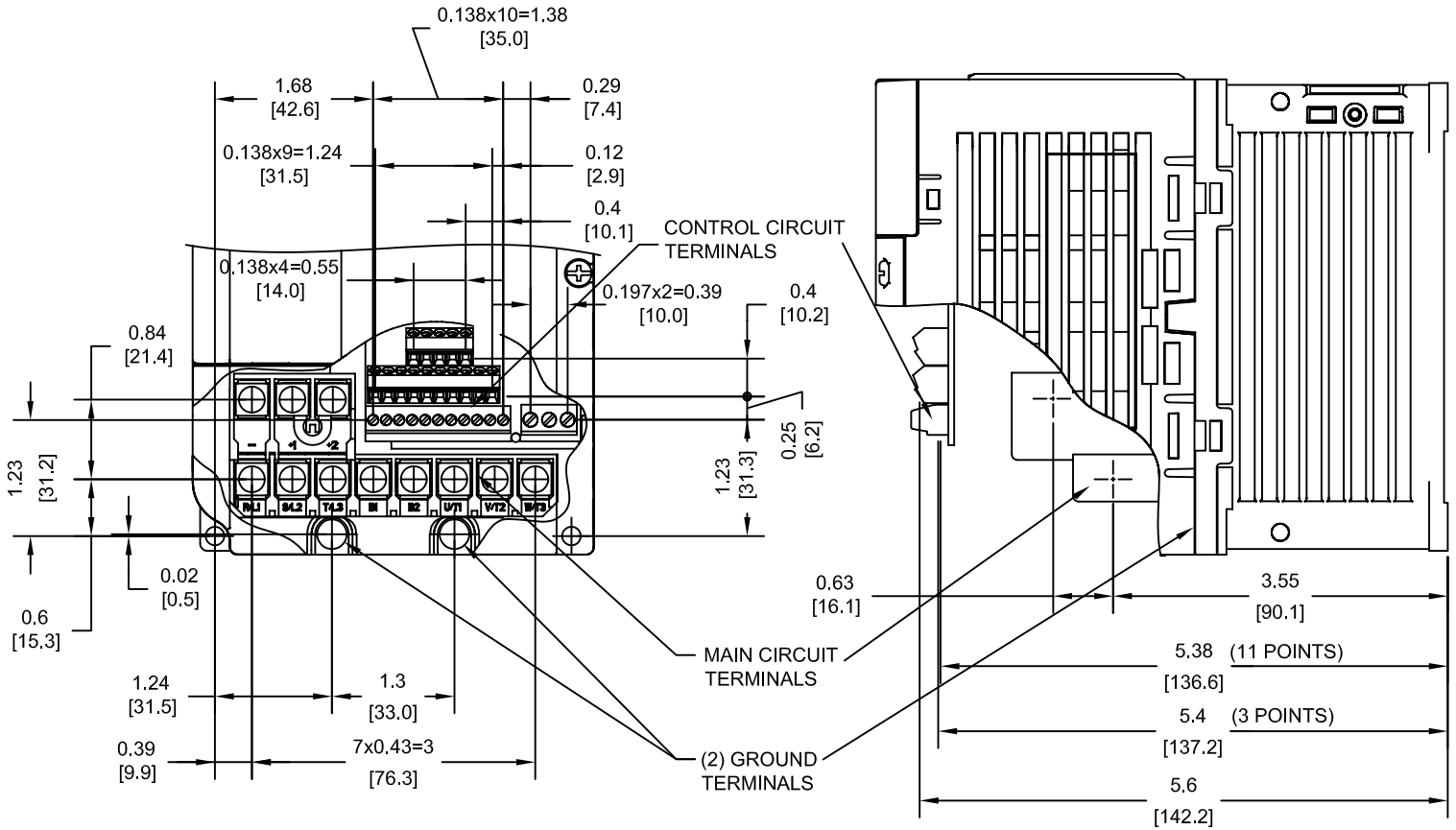
NOTE:
XX DENOTES AA-ZZ

INT=INTERNAL COMPONENTS
EXT=EXTERNAL HEATSINK
TOT=TOTAL

FOR ADDITIONAL DETAILS AND SPECIFICATIONS, CONSULT MANUAL

TOLERANCES / REFERENCES:		<p>YASKAWA The Drive for Quality™</p> <p>THIS DOCUMENT AND INFORMATION CONTAINED IN IT ARE CONFIDENTIAL, AND CANNOT BE COPIED OR DISCLOSED IN WHOLE OR IN PART WITHOUT THE EXPRESS WRITTEN CONSENT OF YASKAWA ELECTRIC AMERICA INC.</p>	DRAWN: J. MATTAS DATE 1-26-09	TITLE: V1000 DIMENSION DRAWING FRAME SIZE 9 OPEN ENCLOSURE (IP20 RATING) 4A0005B, 4A0007B & 4A0009B	
UNITS: IN [mm]	SCALE: 1:3		CHECKED: J. PIOTROWSKI DATE 8-21-09	DATE 8-24-09	SIZE A
			TECH: J. CAIRO DATE 8-28-09	REVISION R00	PAGE 1 of 3
			APPROVED: T. SASADA DATE 8-28-09	ORIGINAL DESIGN: -	DRAWING #: DD.V1K.FR9.IP20

TERMINAL AND WIRING DETAILS (SCALE 1:2)



TERMINAL AND WIRE SPECIFICATIONS FOR
MAIN CIRCUIT AND GROUND

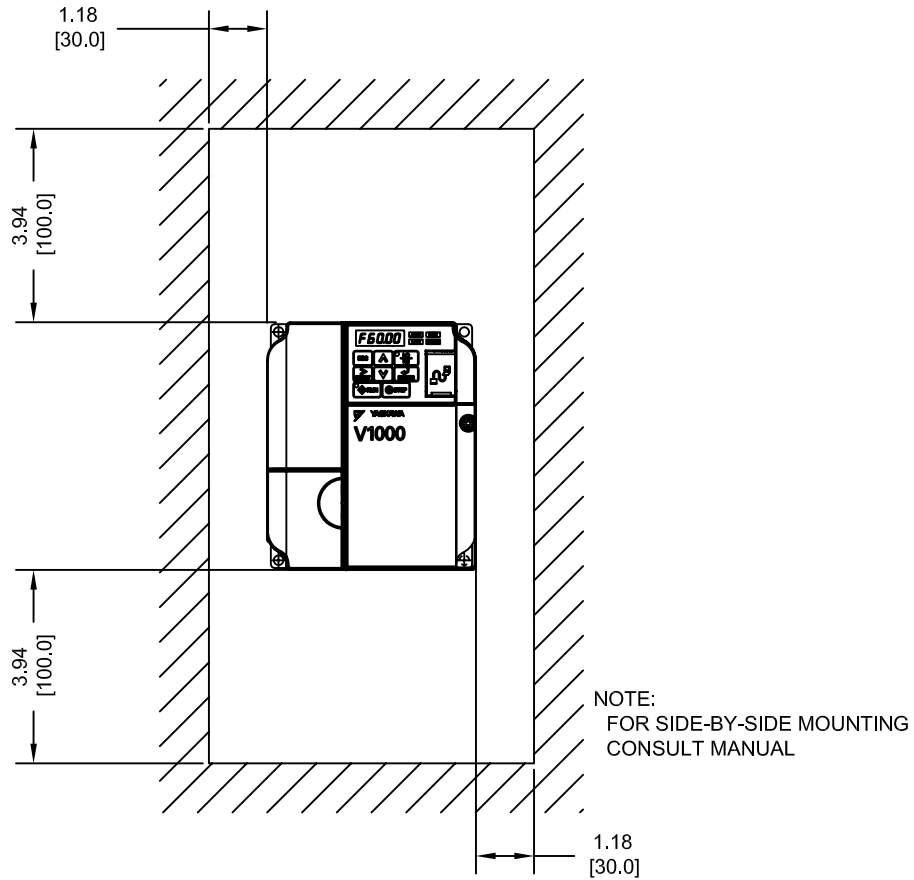
MODEL # CIMR-VU	TERMINAL SCREW	CLAMPING TORQUE lb.in.(N.m.)	WIRE RANGE AWG(mm ²)
4A0005B	M4	10.6 TO 13.3 (1.2 TO 1.5)	22-10 (0.33-5.5)
4A0007B	M4	10.6 TO 13.3 (1.2 TO 1.5)	22-10 (0.33-5.5)
4A0009B	M4	10.6 TO 13.3 (1.2 TO 1.5)	22-10 (0.33-5.5)

NOTE: RATINGS APPLY TO BOTH FACTORY AND FIELD WIRING
REFER TO APPLICABLE CODES FOR PROPER WIRE TYPE AND SIZE

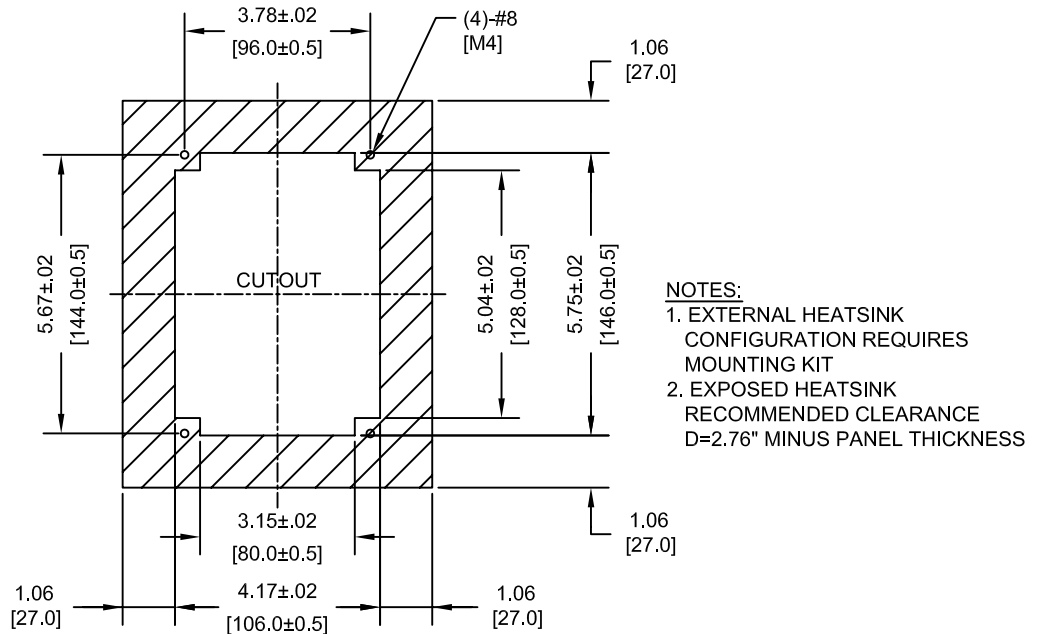
FOR ADDITIONAL DETAILS AND SPECIFICATIONS, CONSULT MANUAL

TOLERANCES / REFERENCES:		<p>YASKAWA The Drive for Quality™</p> <p><i>THIS DOCUMENT AND INFORMATION CONTAINED IN IT ARE CONFIDENTIAL, AND CANNOT BE COPIED OR DISCLOSED IN WHOLE OR IN PART WITHOUT THE EXPRESS WRITTEN CONSENT OF YASKAWA ELECTRIC AMERICA INC.</i></p>	DRAWN: J. MATTAS DATE 1-26-09	DATE 1-26-09	TITLE: V1000 DIMENSION DRAWING FRAME SIZE 9 OPEN ENCLOSURE (IP20 RATING) 4A0005B, 4A0007B & 4A0009B		
UNITS: IN [mm]			CHECKED: J. PIOTROWSKI DATE 8-21-09	DATE 8-21-09			
SCALE: BY VIEW			TECH: J. CAIRO DATE 8-24-09	DATE 8-24-09			
			APPROVED: T. SASADA DATE 8-28-09	DATE 8-28-09			
		ORIGINAL DESIGN:	-	DATE	-		
		DRAWING #:			SIZE A	REVISION R00	PAGE 2 of 3
		DD.V1K.FR9.IP20					

MINIMUM INSTALLATION CLEARANCES (SCALE 1:4)



PANEL CUTOUT FOR EXTERNAL HEATSINK MOUNTING CONFIGURATION (SCALE 1:4)



TOLERANCES / REFERENCES:		<p>YASKAWA The Drive for Quality™</p> <p>THIS DOCUMENT AND INFORMATION CONTAINED IN IT ARE CONFIDENTIAL, AND CANNOT BE COPIED OR DISCLOSED IN WHOLE OR IN PART WITHOUT THE EXPRESS WRITTEN CONSENT OF YASKAWA ELECTRIC AMERICA INC.</p>	DRAWN: J. MATTAS DATE 1-26-09	DATE 1-26-09	TITLE: V1000 DIMENSION DRAWING FRAME SIZE 9 OPEN ENCLOSURE (IP20 RATING) 4A0005B, 4A0007B & 4A0009B	
			CHECKED: J. PIOTROWSKI DATE 8-21-09	DATE 8-21-09		
			TECH: J. CAIRO DATE 8-24-09	DATE 8-24-09		
			APPROVED: T. SASADA DATE 8-28-09	DATE 8-28-09		
UNITS: IN [mm]	SCALE: BY VIEW	ORIGINAL DESIGN: -	DATE -	SIZE A	REVISION R00	PAGE 3 of 3
			DRAWING #: DD.V1K.FR9.IP20			