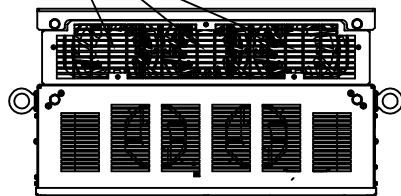
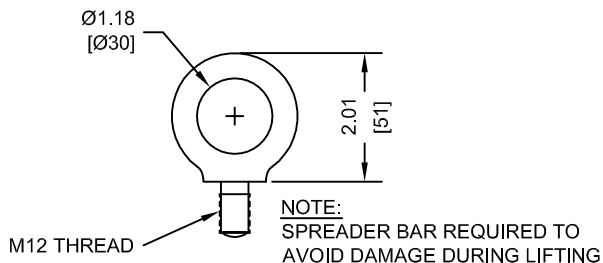


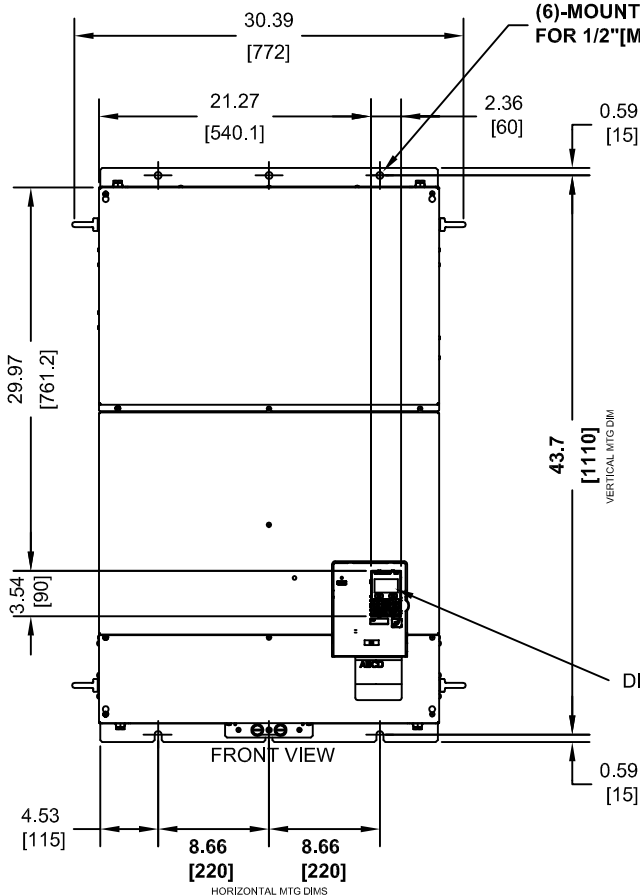
(3) EXTERNAL COOLING FANS



LIFTING AND EYEBOLT DETAILS

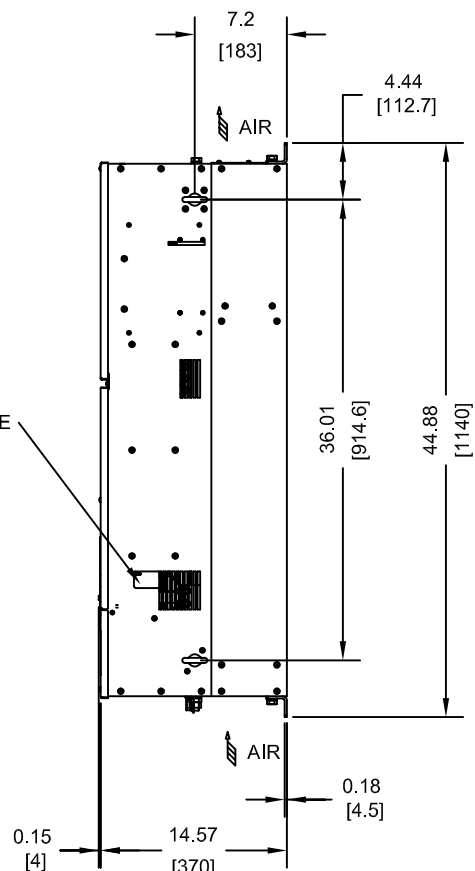


(6)-MOUNTING HOLES FOR 1/2" [M12] SCREWS

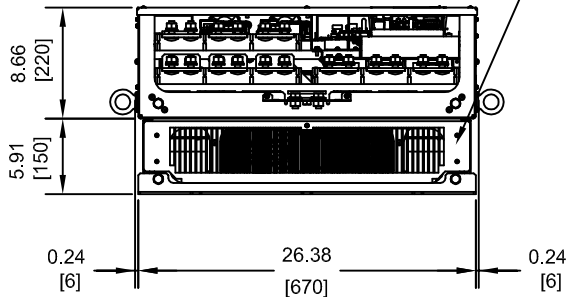


NAMEPLATE

DIGITAL OPERATOR



OPTIONAL CAPACITOR COVER
WHEN USING AN EXTERNAL MOUNT HEATSINK, UL COMPLIANCE REQUIRES COVERING EXPOSED CAPACITORS IN THE MAIN CIRCUIT TO PREVENT INJURY. CONSULT MANUAL FOR DETAILS.



MODEL # CIMR-ZU	VOLTAGE THREE-PHASE (VAC)	OUTPUT CURRENT (A)	WEIGHT LBS (Kg)	HEAT LOSS (W) (Fc=2kHz)		
				INT	EXT	TOT
4A0480AXX	380/480	480	475 (216)	2011	3881	5893
4A0515AXX		515	486 (221)	1670	3567	5238
4A0590AXX		590	486 (221)	1964	4130	6094

NOTE:
XX DENOTES AA-ZZ

INT=INTERNAL COMPONENTS
EXT=EXTERNAL HEATSINK
TOT=TOTAL

FOR ADDITIONAL DETAILS AND SPECIFICATIONS, CONSULT MANUAL

TOLERANCES / REFERENCES:



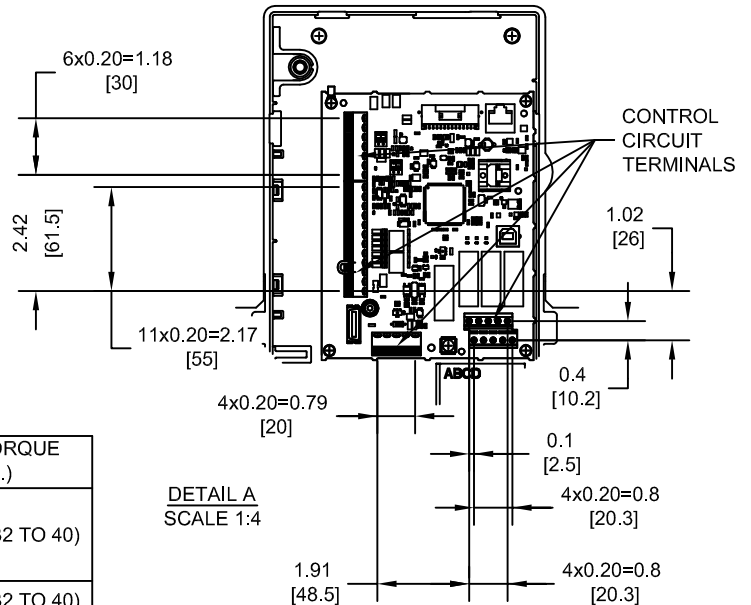
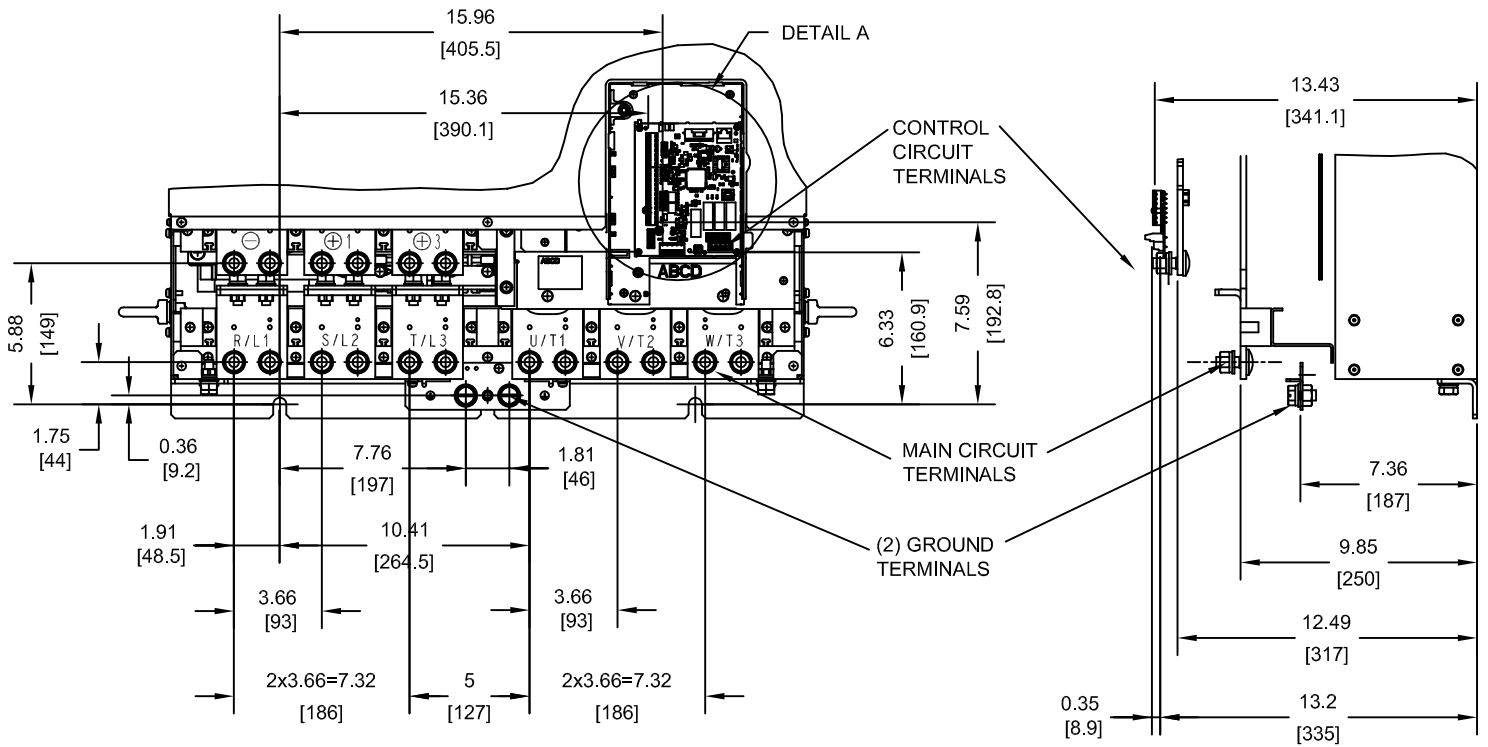
THIS DOCUMENT AND INFORMATION CONTAINED IN IT ARE CONFIDENTIAL, AND CANNOT BE COPIED OR DISCLOSED IN WHOLE OR IN PART WITHOUT THE EXPRESS WRITTEN CONSENT OF YASKAWA AMERICA, INC.

DRAWN: J. MATTAS	DATE 11-7-11	TITLE: Z1000 DIMENSION DRAWING		
CHECKED: J. PIOTROWSKI	DATE 3-9-12	FRAME SIZE 10 IP00 ENCLOSURE		
TECH: J. BORJA	DATE 3-5-12	4A0480 - 0590		
APPROVED: J. CAIRO	DATE 3-14-12	SIZE A	REVISION R00	PAGE 1 of 3
ORIGINAL DESIGN: -	DATE -	DRAWING #: DD.Z1K.FR10.IP00		

UNITS:
IN [mm]

SCALE:
1:15

TERMINAL AND WIRING DETAILS (SCALE 1:8)



TERMINAL AND WIRE SPECIFICATIONS FOR MAIN CIRCUIT AND GROUND

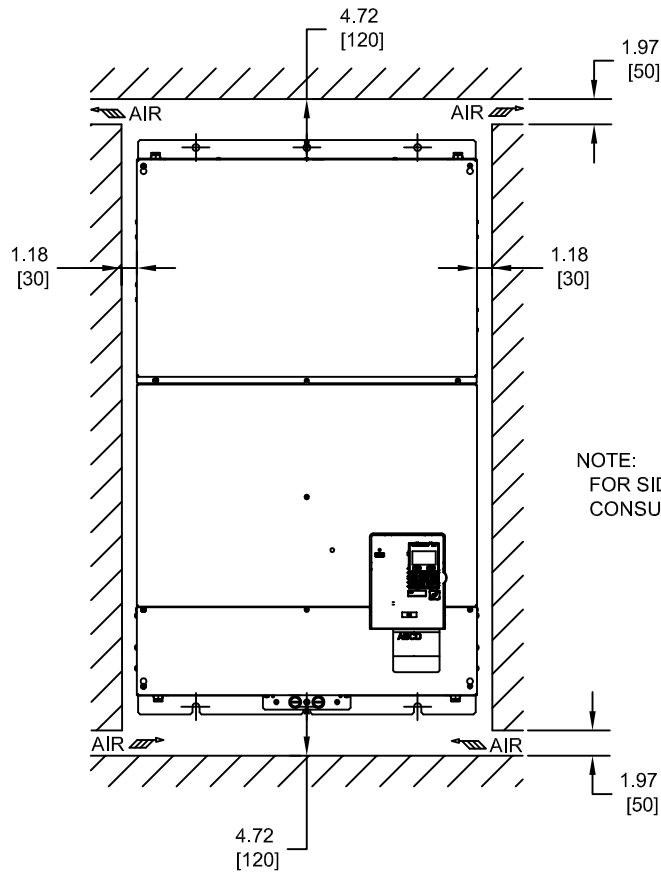
MODEL # CIMR-ZU	TERMINAL SYMBOL	TERMINAL SCREW	CLAMPING TORQUE lb.in.(N.m.)
4A0480 4A0515 4A0590	R/L1, S/L2, T/L3	M12	283.2 TO 354.0 (32 TO 40)
	U/T1, V/T2, W/T3		
	⊖, ⊕1	M12	283.2 TO 354.0 (32 TO 40)
	⊕3		
	⊕	M12	283.2 TO 354.0 (32 TO 40)

NOTE: REFER TO APPLICABLE CODES FOR PROPER WIRE TYPE AND SIZE

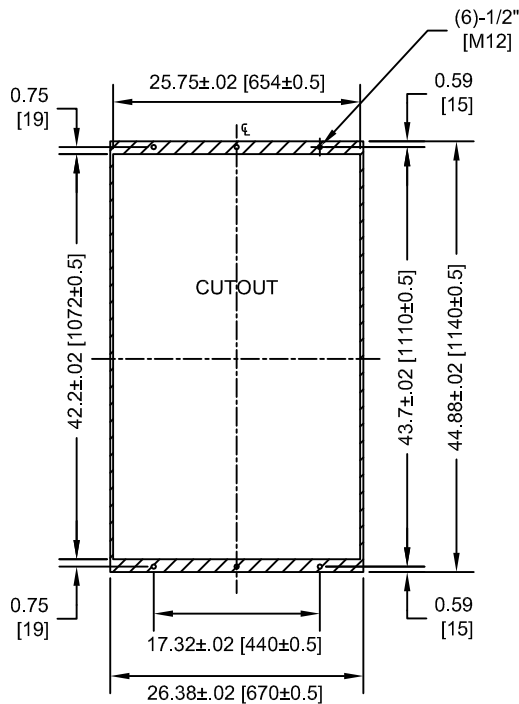
FOR ADDITIONAL DETAILS AND SPECIFICATIONS, CONSULT MANUAL

TOLERANCES / REFERENCES:			DRAWN: J. MATTAS DATE: 11-7-11	TITLE: Z1000 DIMENSION DRAWING FRAME SIZE 10 IP00 ENCLOSURE 4A0480 - 0590	
			CHECKED: J. PIOTROWSKI DATE: 3-9-12	TECH: J. BORJA DATE: 3-5-12	REVISION: R00
		THIS DOCUMENT AND INFORMATION CONTAINED IN IT ARE CONFIDENTIAL, AND CANNOT BE COPIED OR DISCLOSED IN WHOLE OR IN PART WITHOUT THE EXPRESS WRITTEN CONSENT OF YASKAWA AMERICA, INC.	APPROVED: J. CAIRO DATE: 3-14-12	ORIGINAL DESIGN: -	DRAWING #: DD.Z1K.FR10.IP00
UNITS: IN[mm]	SCALE: BY VIEW				

MINIMUM INSTALLATION CLEARANCES (SCALE 1:15)



PANEL CUTOUT FOR EXTERNAL HEATSINK MOUNTING CONFIGURATION (SCALE 1:20)



NOTE:
EXPOSED HEATSINK DEPTH
D=5.91" MINUS PANEL THICKNESS

FOR ADDITIONAL DETAILS AND SPECIFICATIONS, CONSULT MANUAL

TOLERANCES / REFERENCES:			DRAWN: J. MATTAS DATE: 11-7-11	TITLE: Z1000 DIMENSION DRAWING		
			CHECKED: J. PIOTROWSKI DATE: 3-9-12	FRAME SIZE 10 IP00 ENCLOSURE 4A0480 - 0590		
		TECH: J. BORJA DATE: 3-5-12	APPROVED: J. CAIRO DATE: 3-14-12	SIZE: A	REVISION: R00	PAGE: 3 of 3
UNITS: IN [mm]	SCALE: BY VIEW	THIS DOCUMENT AND INFORMATION CONTAINED IN IT ARE CONFIDENTIAL, AND CANNOT BE COPIED OR DISCLOSED IN WHOLE OR IN PART WITHOUT THE EXPRESS WRITTEN CONSENT OF YASKAWA AMERICA, INC.		ORIGINAL DESIGN: -	DATE: -	DRAWING #: DD.Z1K.FR10.IP00