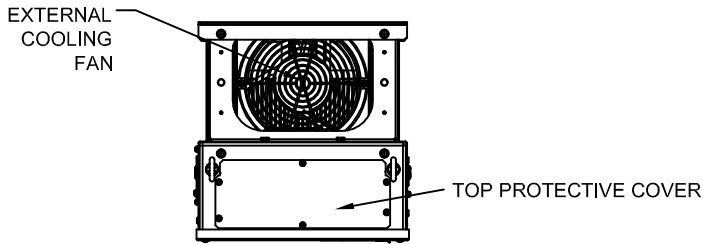
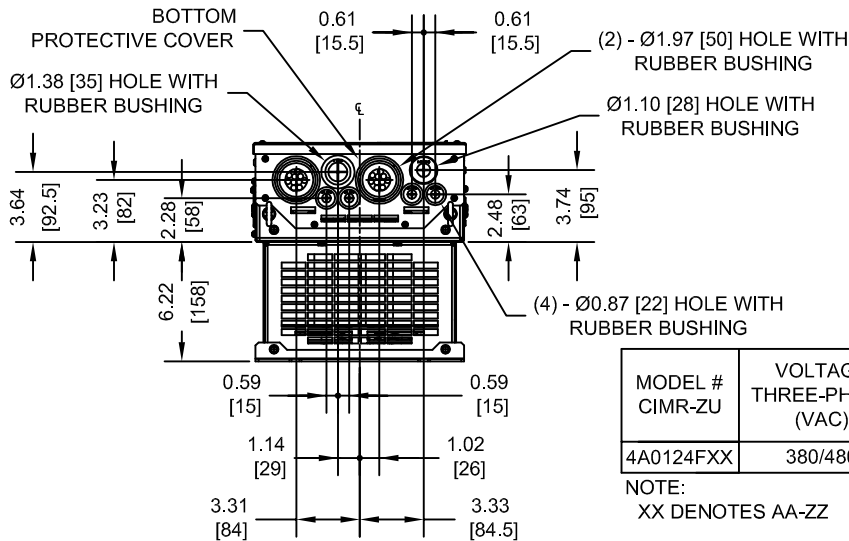
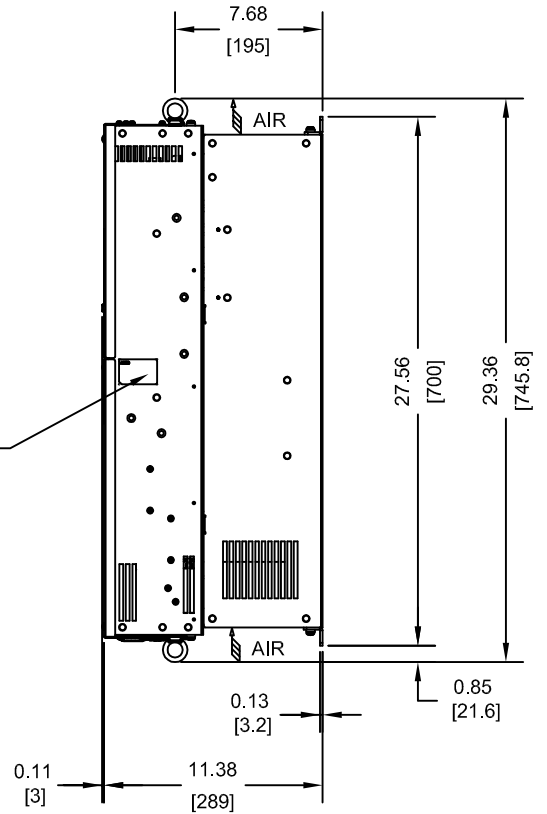
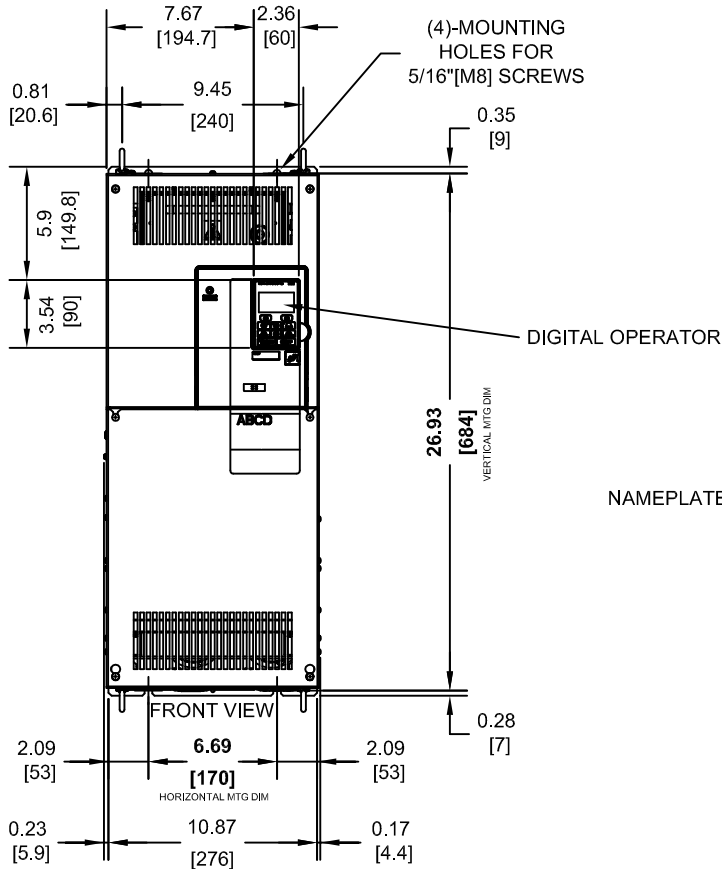
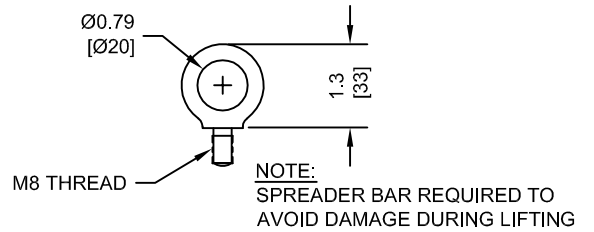


A
B
C
D
E
F
G
H
I
J



LIFTING AND EYEBOLT DETAILS



NOTE: PROTECTIVE COVERS ARE FACTORY INSTALLED TO THE TOP AND BOTTOM OF THE DRIVE TO MEET IP20 & NEMA TYPE 1 REQUIREMENTS, RESULTING IN AN AMBIENT TEMPERATURE RATING OF 104F(40C). REMOVE THESE COVERS WHEN OPERATING THE DRIVE WITHIN A PANEL TO OBTAIN THE MAXIMUM SURROUNDING AIR TEMPERATURE RATING OF 122F(50C). REMOVING THESE COVERS RESULTS IN AN ENCLOSURE RATING OF IP00.

MODEL # CIMR-ZU	VOLTAGE THREE-PHASE (VAC)	OUTPUT CURRENT (A)	WEIGHT LBS (Kg)	HEAT LOSS (W) (Fc=5kHz)		
				INT	EXT	TOT
4A0124FXX	380/480	124	101 (46)	398	1581	1979

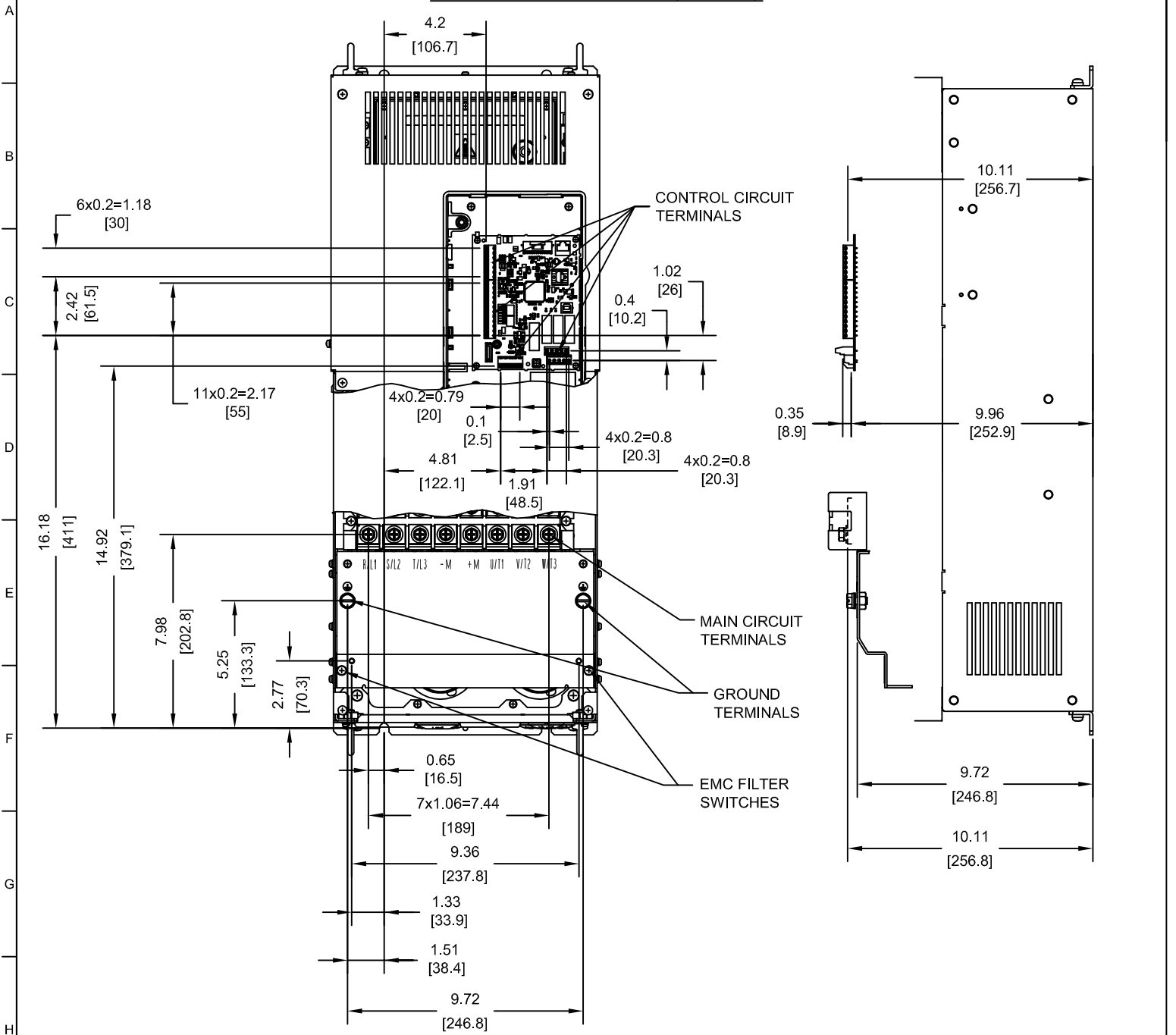
NOTE:
XX DENOTES AA-ZZ

INT=INTERNAL COMPONENTS
EXT=EXTERNAL HEATSINK
TOT=TOTAL

FOR ADDITIONAL DETAILS AND SPECIFICATIONS, CONSULT MANUAL

TOLERANCES / REFERENCES:		DRAWN: J. MATTAS	DATE: 8-30-11	TITLE: Z1000 DIMENSION DRAWING		
		CHECKED: J. PIOTROWSKI	DATE: 10-21-11	FRAME SIZE 5		
		TECH: J. BORJA	DATE: 9-23-11	NEMA TYPE 1 ENCLOSURE		
		APPROVED: J. CAIRO	DATE: 10-17-11	4A0124		
UNITS: IN [mm]	SCALE: 1:10	ORIGINAL DESIGN: -	DATE: -	SIZE: A	REVISION: R00	PAGE: 1 of 3
THIS DOCUMENT AND INFORMATION CONTAINED IN IT ARE CONFIDENTIAL, AND CANNOT BE COPIED OR DISCLOSED IN WHOLE OR IN PART WITHOUT THE EXPRESS WRITTEN CONSENT OF YASKAWA AMERICA, INC.		DRAWING #:		DD.Z1K.FR5.N1		

TERMINAL AND WIRING DETAILS (SCALE 1:6)



TERMINAL AND WIRE SPECIFICATIONS FOR MAIN CIRCUIT AND GROUND

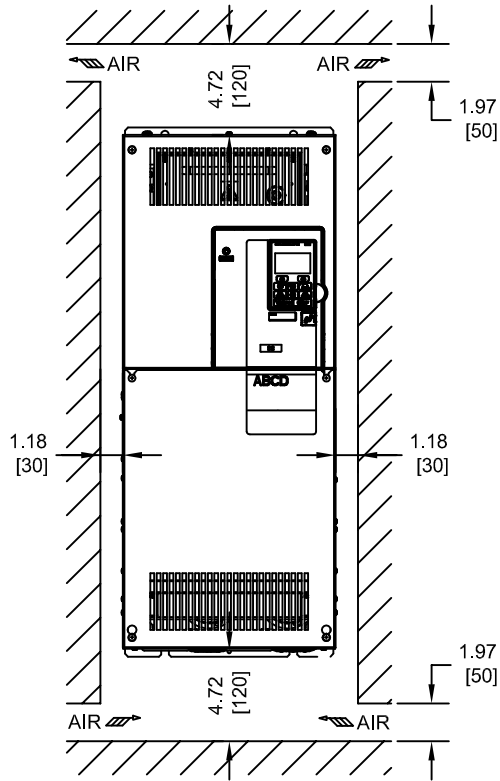
MODEL # CIMR-ZU	TERMINAL SYMBOL	TERMINAL SCREW	CLAMPING TORQUE lb.in.(N.m.)	WIRE RANGE AWG(mm ²)
4A0124	R/L1, S/L2, T/L3, U/T1, V/T2, W/T3, -M, +M, ⊕	M8	48 TO 53 (5.4 TO 6.0)	8-2/0 (10-70)

NOTE: REFER TO APPLICABLE CODES FOR PROPER WIRE TYPE AND SIZE

FOR ADDITIONAL DETAILS AND SPECIFICATIONS, CONSULT MANUAL

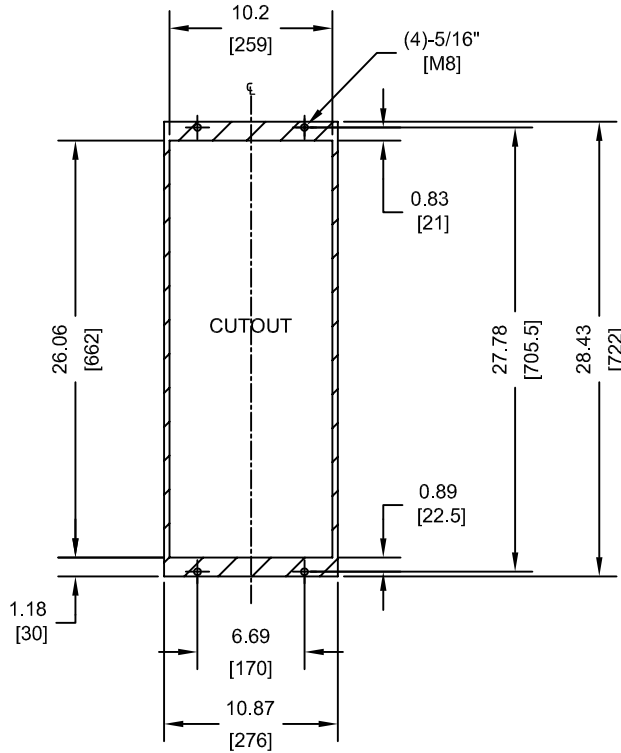
TOLERANCES / REFERENCES:		DRAWN:	J. MATTAS	DATE:	8-30-11	TITLE:					
		CHECKED:	J. PIOTROWSKI	DATE:	10-21-11	Z1000 DIMENSION DRAWING					
		TECH:	J. BORJA	DATE:	9-23-11	FRAME SIZE 5					
		APPROVED:	J. CAIRO	DATE:	10-17-11	NEMA TYPE 1 ENCLOSURE					
UNITS:	SCALE:	ORIGINAL DESIGN:	-	DATE:	-	SIZE:	A	REVISION:	R00	PAGE:	2 of 3
IN [mm]	BY VIEW	WITHOUT THE EXPRESS WRITTEN CONSENT OF YASKAWA AMERICA, INC.			DRAWING #:			DD.Z1K.FR5.N1			

MINIMUM INSTALLATION CLEARANCES (SCALE 1:10)



NOTE:
FOR SIDE-BY-SIDE MOUNTING
CONSULT MANUAL

PANEL CUTOUT FOR EXTERNAL HEATSINK
MOUNTING CONFIGURATION (SCALE 1:12)



NOTES:

1. CUTOUT TOLERANCES:
+/- 0.02IN (0.5MM)
2. EXPOSED HEATSINK DEPTH
D=6.22" MINUS PANEL THICKNESS

FOR ADDITIONAL DETAILS AND SPECIFICATIONS, CONSULT MANUAL

TOLERANCES / REFERENCES:			DRAWN: J. MATTAS 8-30-11	TITLE: Z1000 DIMENSION DRAWING		
			CHECKED: J. PIOTROWSKI 10-21-11	FRAME SIZE 5 NEMA TYPE 1 ENCLOSURE 4A0124		
		TECH: J. BORJA 9-23-11	DATE: 9-23-11	SIZE: A	REVISION: R00	PAGE: 3 of 3
		APPROVED: J. CAIRO 10-17-11	DATE: 10-17-11	DRAWING #: DD.Z1K.FR5.N1		
UNITS: IN [mm]	SCALE: BY VIEW	THIS DOCUMENT AND INFORMATION CONTAINED IN IT ARE CONFIDENTIAL, AND CANNOT BE COPIED OR DISCLOSED IN WHOLE OR IN PART WITHOUT THE EXPRESS WRITTEN CONSENT OF YASKAWA AMERICA, INC.		ORIGINAL DESIGN: -	DATE: -	