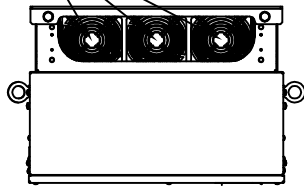
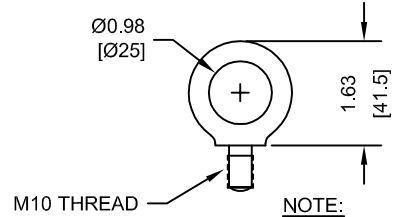


(3) EXTERNAL COOLING FANS

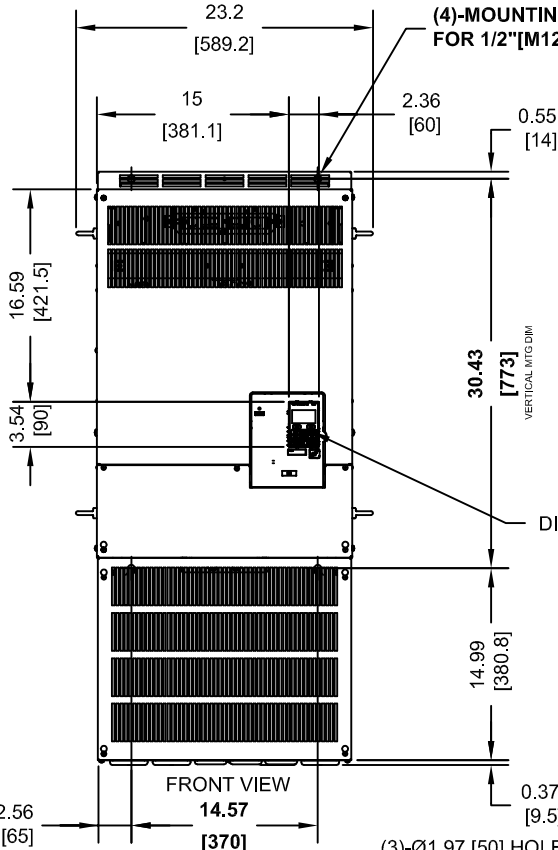


LIFTING AND EYEBOLT DETAILS



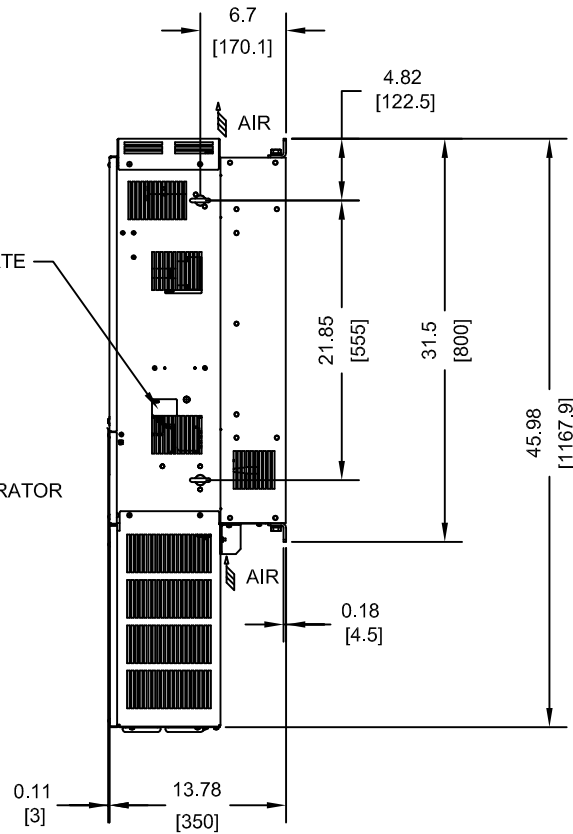
NOTE:  
SPREADER BAR REQUIRED TO AVOID DAMAGE DURING LIFTING

(4)-MOUNTING HOLES FOR 1/2" [M12] SCREWS



NAMEPLATE

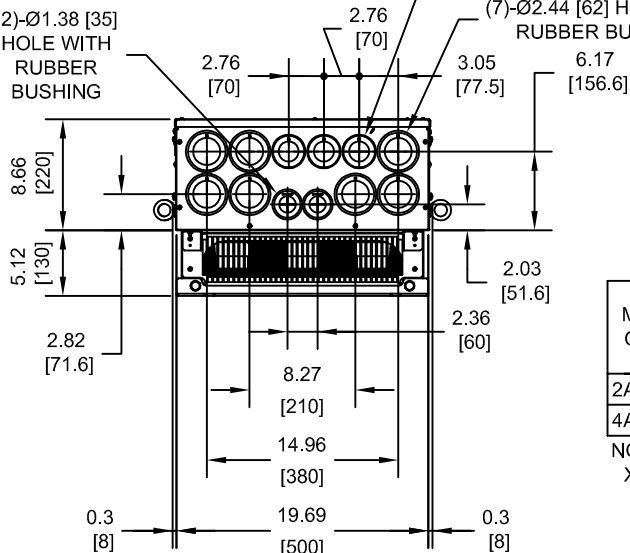
DIGITAL OPERATOR



(2)-Ø1.38 [35] HOLE WITH RUBBER BUSHING

(3)-Ø1.97 [50] HOLE WITH RUBBER BUSHING

(7)-Ø2.44 [62] HOLE WITH RUBBER BUSHING



MODEL # CIMR-ZU	VOLTAGE THREE-PHASE (VAC)	OUTPUT CURRENT (A)	WEIGHT LBS (Kg)	HEAT LOSS (W) (Fc=2kHz)		
				INT	EXT	TOT
2A0343FXX	200/240	343	238 (108)	655	1964	2619
4A0361FXX	380/480	361	257 (117)	1130	3168	4298

NOTE:  
XX DENOTES AA-ZZ

INT=INTERNAL COMPONENTS  
EXT=EXTERNAL HEATSINK  
TOT=TOTAL

FOR ADDITIONAL DETAILS AND SPECIFICATIONS, CONSULT MANUAL

TOLERANCES / REFERENCES:



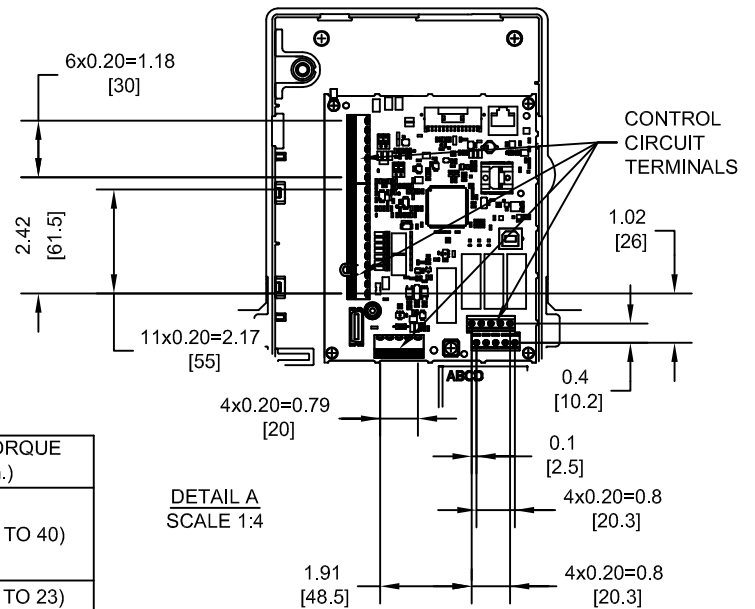
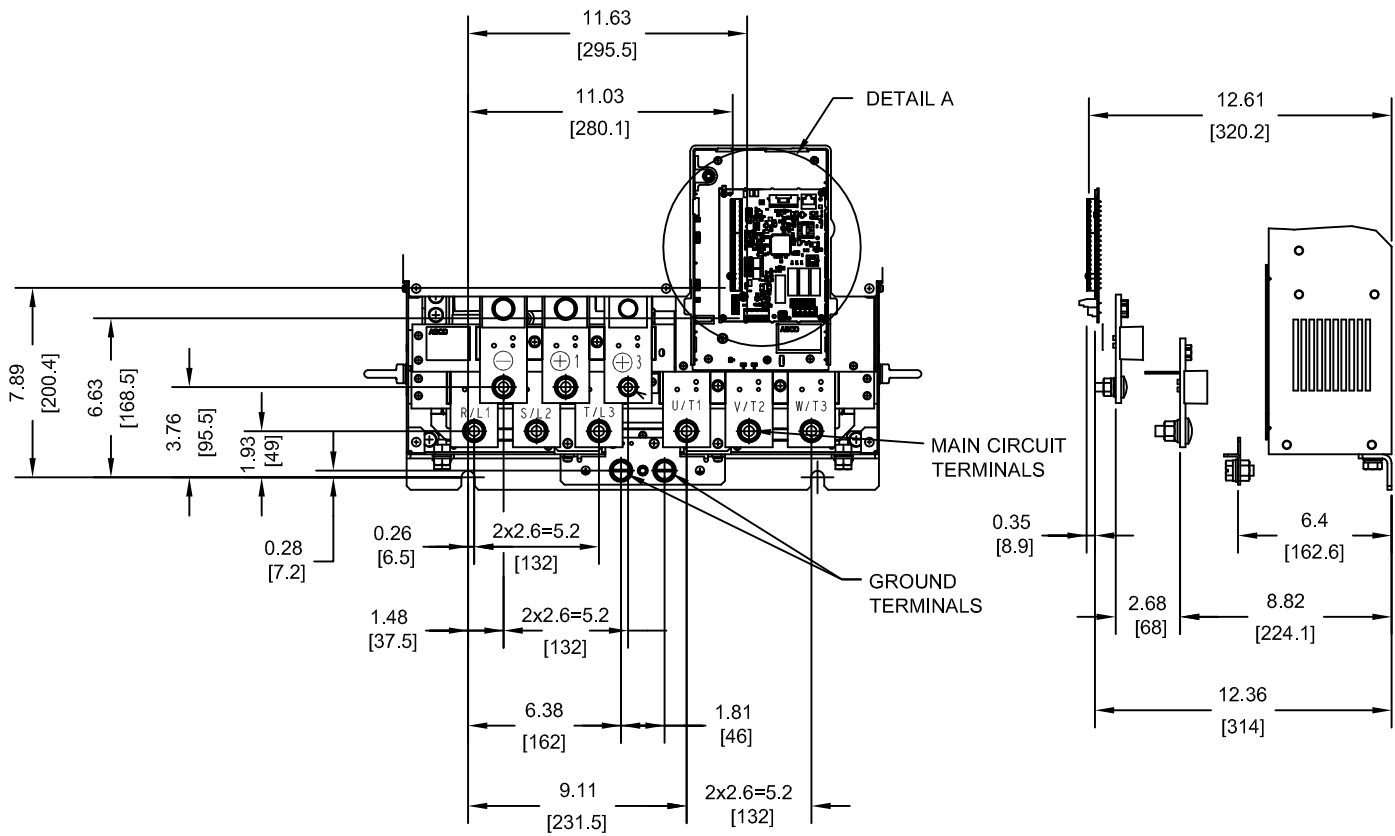
THIS DOCUMENT AND INFORMATION CONTAINED IN IT ARE CONFIDENTIAL, AND CANNOT BE COPIED OR DISCLOSED IN WHOLE OR IN PART WITHOUT THE EXPRESS WRITTEN CONSENT OF YASKAWA AMERICA, INC.

DRAWN: J. MATTAS	DATE 11-1-11	TITLE: Z1000 DIMENSION DRAWING
CHECKED: J. PIOTROWSKI	DATE 11-2-11	FRAME SIZE 8A
TECH: J. BORJA	DATE 11-2-11	NEMA TYPE 1 ENCLOSURE
APPROVED: J. CAIRO	DATE 11-2-11	2A0343, 4A0361
ORIGINAL DESIGN: -	DATE -	SIZE A
		REVISION R01
		PAGE 1 of 3
		DRAWING #: DD.Z1K.FR8A.N1

UNITS:  
IN [mm]

SCALE:  
1:15

TERMINAL AND WIRING DETAILS (SCALE 1:8)



TERMINAL AND WIRE SPECIFICATIONS FOR MAIN CIRCUIT AND GROUND

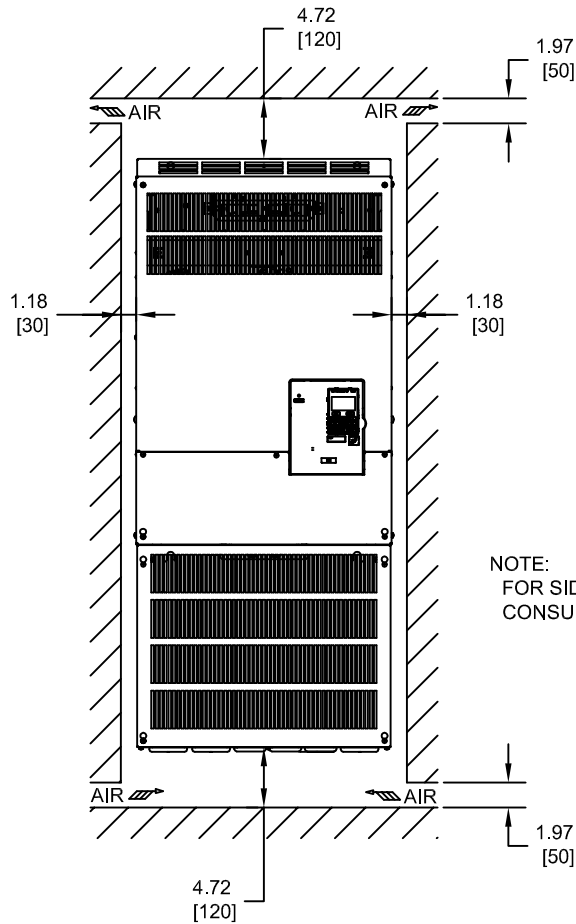
MODEL # CIMR-ZU	TERMINAL SYMBOL	TERMINAL SCREW	CLAMPING TORQUE lb.in.(N.m.)	
2A0343 4A0361	R/L1, S/L2, T/L3	M12	283 TO 354 (32 TO 40)	
	U/T1, V/T2, W/T3			
	⊖, ⊕1	M10		159 TO 204 (18 TO 23)
	⊕3	M12		283 TO 354 (32 TO 40)

NOTE: REFER TO APPLICABLE CODES FOR PROPER WIRE TYPE AND SIZE

FOR ADDITIONAL DETAILS AND SPECIFICATIONS, CONSULT MANUAL

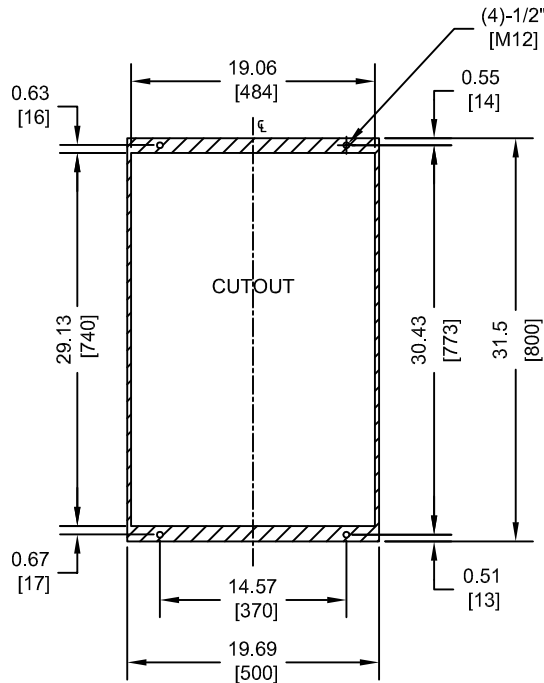
TOLERANCES / REFERENCES:			DRAWN: J. MATTAS DATE: 11-1-11	DATE: 11-1-11	TITLE: Z1000 DIMENSION DRAWING FRAME SIZE 8A NEMA TYPE 1 ENCLOSURE 2A0343, 4A0361		
			CHECKED: J. PIOTROWSKI DATE: 11-2-11	DATE: 11-2-11			
		TECH: J. BORJA DATE: 11-2-11	DATE: 11-2-11	SIZE: A	REVISION: R01	PAGE: 2 of 3	
		APPROVED: J. CAIRO DATE: 11-2-11	DATE: 11-2-11	DRAWING #: DD.Z1K.FR8A.N1			
UNITS: IN[mm]	SCALE: BY VIEW	THIS DOCUMENT AND INFORMATION CONTAINED IN IT ARE CONFIDENTIAL, AND CANNOT BE COPIED OR DISCLOSED IN WHOLE OR IN PART WITHOUT THE EXPRESS WRITTEN CONSENT OF YASKAWA AMERICA, INC.					

MINIMUM INSTALLATION CLEARANCES (SCALE 1:15)



NOTE:  
FOR SIDE-BY-SIDE MOUNTING  
CONSULT MANUAL

PANEL CUTOUT FOR EXTERNAL HEATSINK  
MOUNTING CONFIGURATION (SCALE 1:15)



NOTES:

- CUTOUT TOLERANCES:  
+/- 0.02IN (0.5MM)
- EXPOSED HEATSINK DEPTH  
D=5.12" MINUS PANEL THICKNESS

FOR ADDITIONAL DETAILS AND SPECIFICATIONS, CONSULT MANUAL

TOLERANCES / REFERENCES:			DRAWN: J. MATTAS DATE: 11-1-11	TITLE: Z1000 DIMENSION DRAWING		
			CHECKED: J. PIOTROWSKI DATE: 11-2-11	FRAME SIZE 8A NEMA TYPE 1 ENCLOSURE 2A0343, 4A0361		
		TECH: J. BORJA DATE: 11-2-11	APPROVED: J. CAIRO DATE: 11-2-11	SIZE: A	REVISION: R01	PAGE: 3 of 3
UNITS: IN [mm]	SCALE: BY VIEW	THIS DOCUMENT AND INFORMATION CONTAINED IN IT ARE CONFIDENTIAL, AND CANNOT BE COPIED OR DISCLOSED IN WHOLE OR IN PART WITHOUT THE EXPRESS WRITTEN CONSENT OF YASKAWA AMERICA, INC.		ORIGINAL DESIGN: -	DATE: -	DRAWING #: DD.Z1K.FR8A.N1