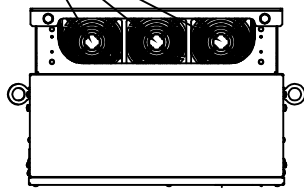
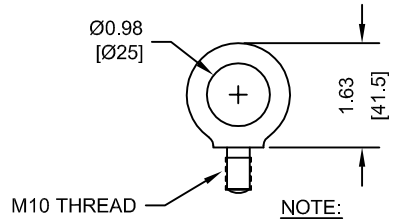


(3) EXTERNAL COOLING FANS

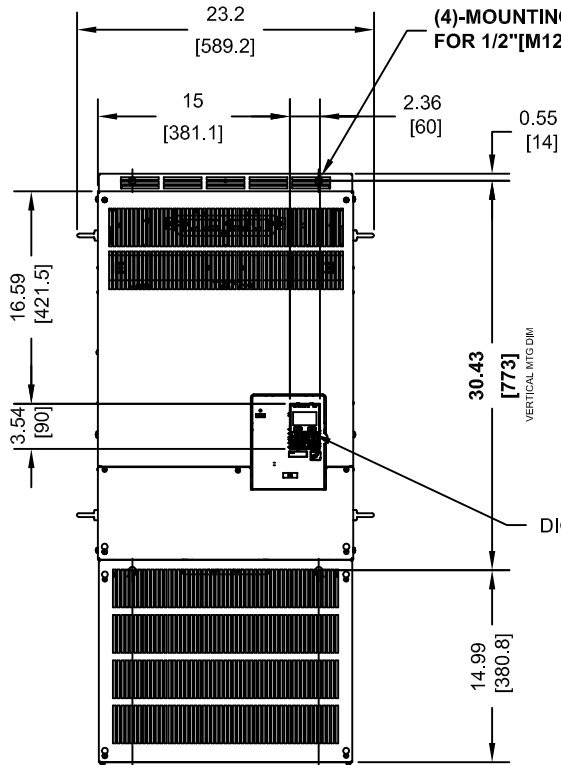


LIFTING AND EYEBOLT DETAILS



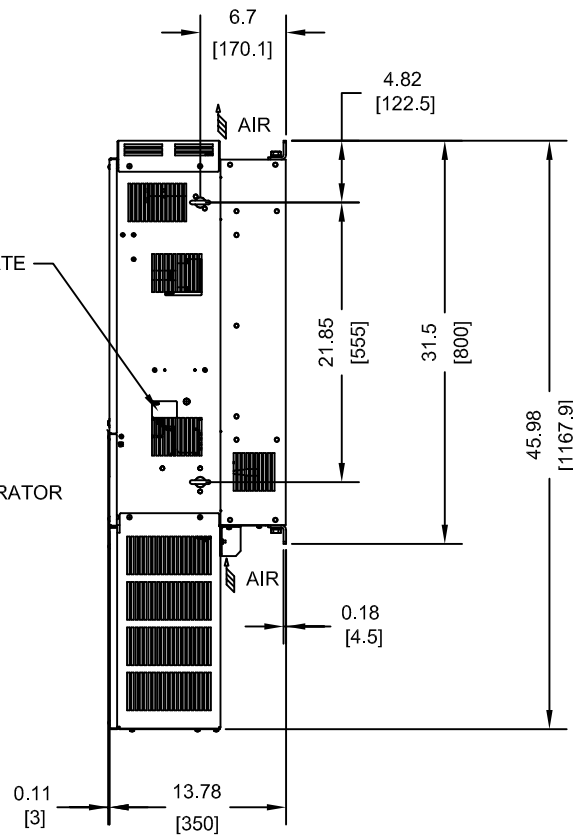
NOTE:
SPREADER BAR REQUIRED TO AVOID DAMAGE DURING LIFTING

(4)-MOUNTING HOLES FOR 1/2" [M12] SCREWS

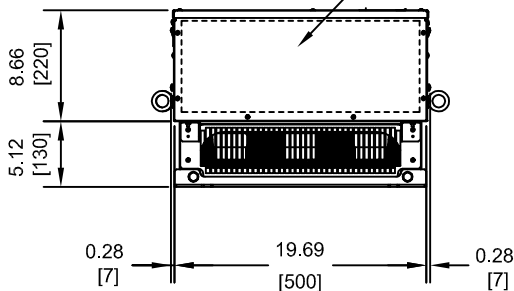


NAMEPLATE

DIGITAL OPERATOR



BOTTOM CONDUIT ENTRY



MODEL # CIMR-ZU	VOLTAGE THREE-PHASE (VAC)	OUTPUT CURRENT (A)	WEIGHT LBS (Kg)	HEAT LOSS (W) (Fc=2kHz)		
				INT	EXT	TOT
2A0396FXX	200/240	396	238 (108)	829	2435	3264

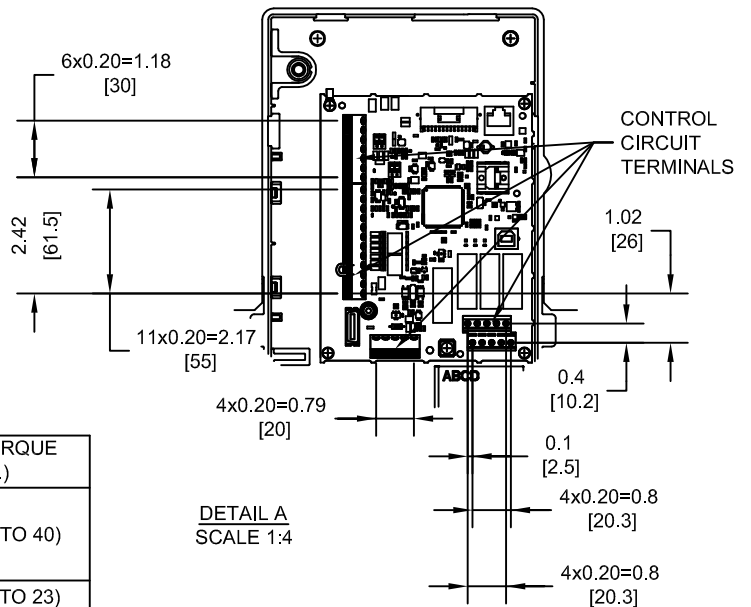
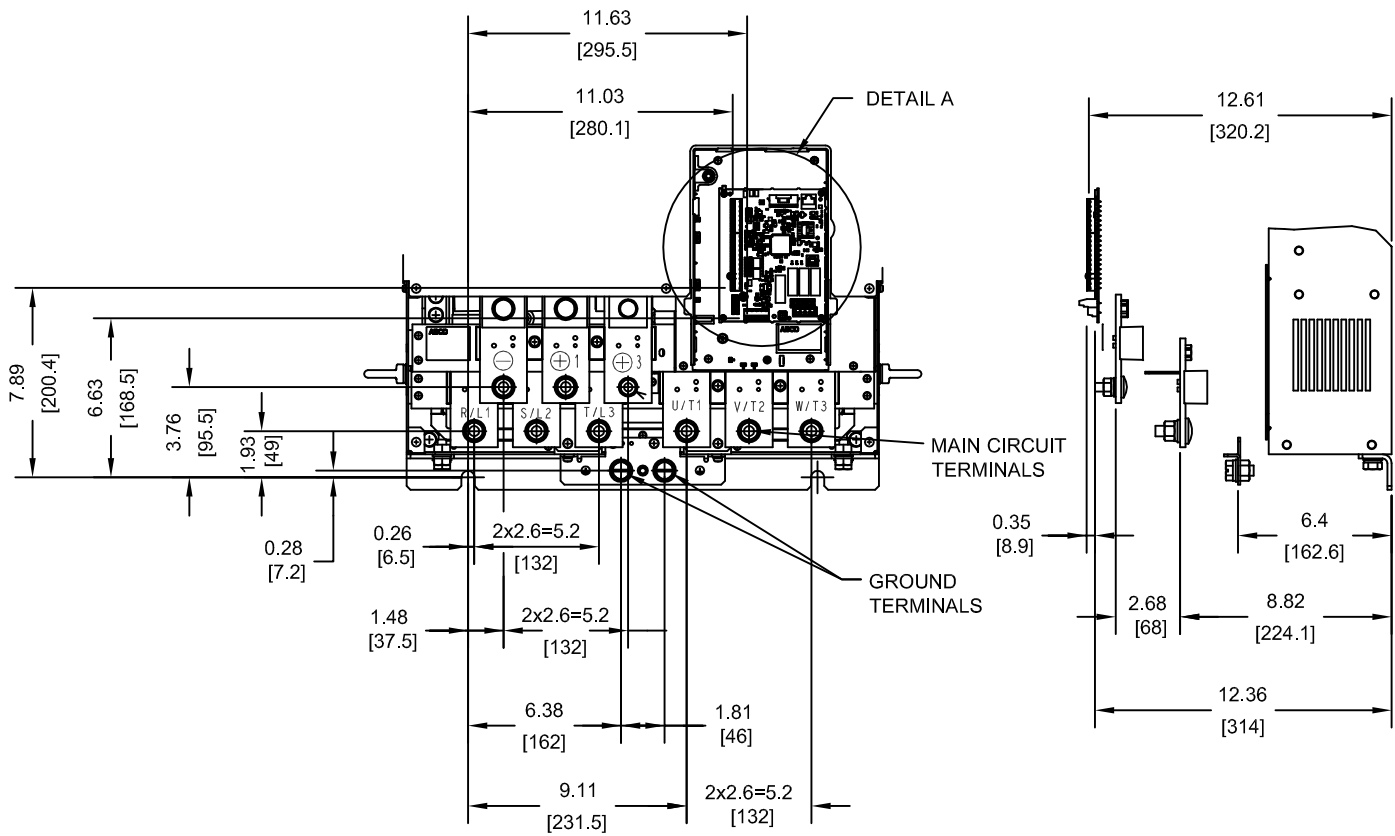
NOTE:
XX DENOTES AA-ZZ

INT=INTERNAL COMPONENTS
EXT=EXTERNAL HEATSINK
TOT=TOTAL

FOR ADDITIONAL DETAILS AND SPECIFICATIONS, CONSULT MANUAL

TOLERANCES / REFERENCES:		DRAWN:	J. MATTAS	DATE:	10-20-11	TITLE: Z1000 DIMENSION DRAWING FRAME SIZE 8C NEMA TYPE 1 ENCLOSURE 2A0396	
		CHECKED:	J. PIOTROWSKI	DATE:	10-21-11		
		TECH:	J. BORJA	DATE:	10-20-11		
		APPROVED:	J. CAIRO	DATE:	10-21-11		
UNITS: IN [mm]	SCALE: 1:15	ORIGINAL DESIGN:	-	DATE:	-	DRAWING #: DD.Z1K.FR8C.N1	
THIS DOCUMENT AND INFORMATION CONTAINED IN IT ARE CONFIDENTIAL, AND CANNOT BE COPIED OR DISCLOSED IN WHOLE OR IN PART WITHOUT THE EXPRESS WRITTEN CONSENT OF YASKAWA AMERICA, INC.						REVISION: R01	PAGE: 1 of 3

TERMINAL AND WIRING DETAILS (SCALE 1:8)



TERMINAL AND WIRE SPECIFICATIONS FOR MAIN CIRCUIT AND GROUND

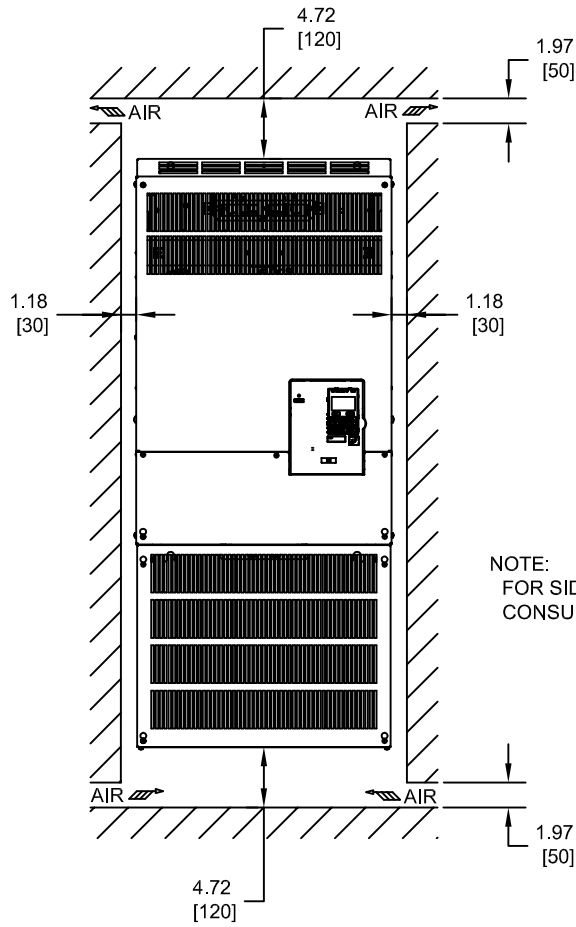
MODEL # CIMR-ZU	TERMINAL SYMBOL	TERMINAL SCREW	CLAMPING TORQUE lb.in.(N.m.)	
2A0396	R/L1, S/L2, T/L3	M12	283 TO 354 (32 TO 40)	
	U/T1, V/T2, W/T3			
	⊖, ⊕1	M10		159 TO 204 (18 TO 23)
	⊕3	M12		283 TO 354 (32 TO 40)

NOTE: REFER TO APPLICABLE CODES FOR PROPER WIRE TYPE AND SIZE

FOR ADDITIONAL DETAILS AND SPECIFICATIONS, CONSULT MANUAL

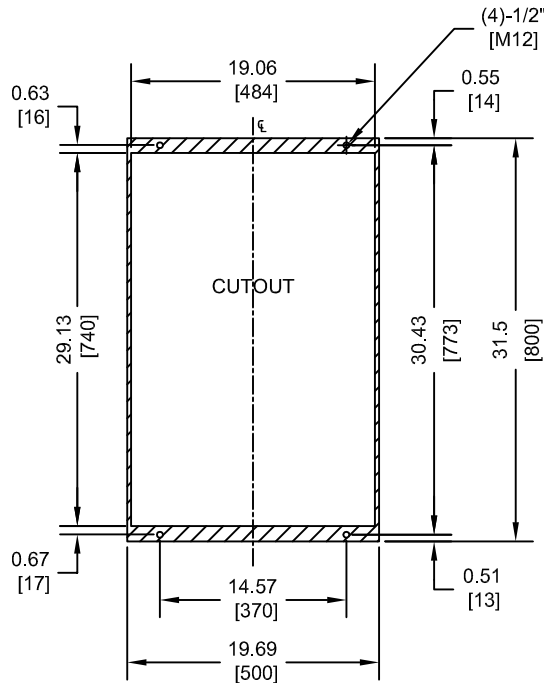
TOLERANCES / REFERENCES:			DRAWN: J. MATTAS DATE: 10-20-11	TITLE: Z1000 DIMENSION DRAWING FRAME SIZE 8C NEMA TYPE 1 ENCLOSURE 2A0396
UNITS: IN[mm]			CHECKED: J. PIOTROWSKI DATE: 10-21-11	REVISION: R01
SCALE: BY VIEW		THIS DOCUMENT AND INFORMATION CONTAINED IN IT ARE CONFIDENTIAL, AND CANNOT BE COPIED OR DISCLOSED IN WHOLE OR IN PART WITHOUT THE EXPRESS WRITTEN CONSENT OF YASKAWA AMERICA, INC.	TECH: J. BORJA DATE: 10-20-11	DRAWING #: DD.Z1K.FR8C.N1
		APPROVED: J. CAIRO DATE: 10-21-11	ORIGINAL DESIGN: -	

MINIMUM INSTALLATION CLEARANCES (SCALE 1:15)



NOTE:
FOR SIDE-BY-SIDE MOUNTING
CONSULT MANUAL

PANEL CUTOUT FOR EXTERNAL HEATSINK
MOUNTING CONFIGURATION (SCALE 1:15)



NOTES:

1. CUTOUT TOLERANCES:
+/- 0.02IN (0.5MM)
2. EXPOSED HEATSINK DEPTH
D=5.12" MINUS PANEL THICKNESS

FOR ADDITIONAL DETAILS AND SPECIFICATIONS, CONSULT MANUAL

TOLERANCES / REFERENCES:			DRAWN: J. MATTAS 10-20-11	DATE: 10-20-11	TITLE: Z1000 DIMENSION DRAWING		
			CHECKED: J. PIOTROWSKI 10-21-11	DATE: 10-21-11	FRAME SIZE 8C NEMA TYPE 1 ENCLOSURE		
		TECH: J. BORJA 10-20-11	DATE: 10-20-11	2A0396			
		APPROVED: J. CAIRO 10-21-11	DATE: 10-21-11	SIZE: A	REVISION: R01	PAGE: 3 of 3	
UNITS: IN [mm]	SCALE: BY VIEW	ORIGINAL DESIGN: -	DATE: -	DRAWING #: DD.Z1K.FR8C.N1			

THIS DOCUMENT AND INFORMATION CONTAINED
IN IT ARE CONFIDENTIAL, AND CANNOT BE
COPIED OR DISCLOSED IN WHOLE OR IN PART
WITHOUT THE EXPRESS WRITTEN CONSENT
OF YASKAWA AMERICA, INC.