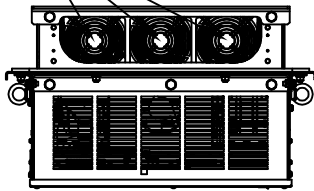
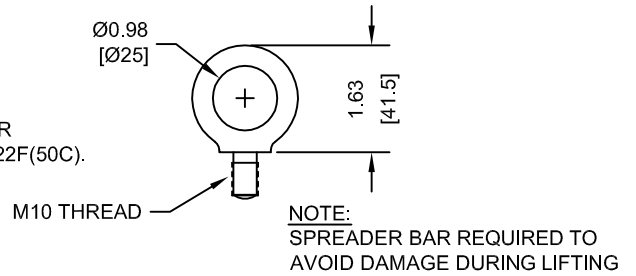


(3) EXTERNAL COOLING FANS

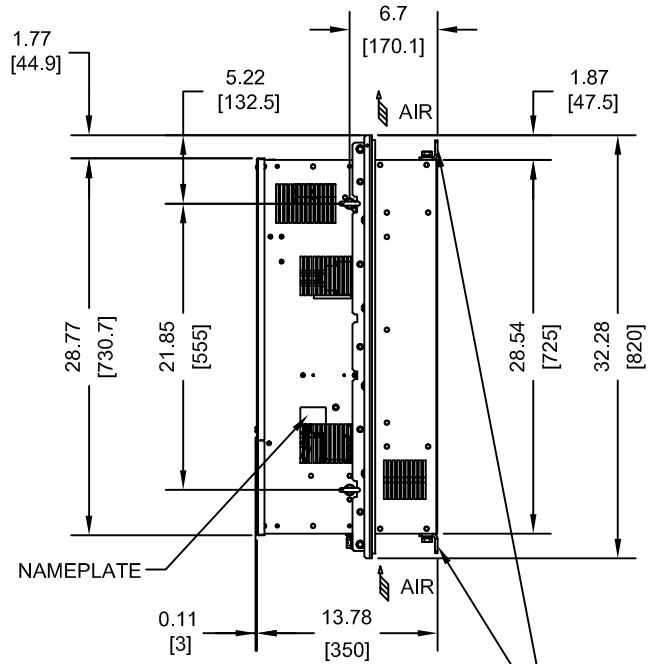
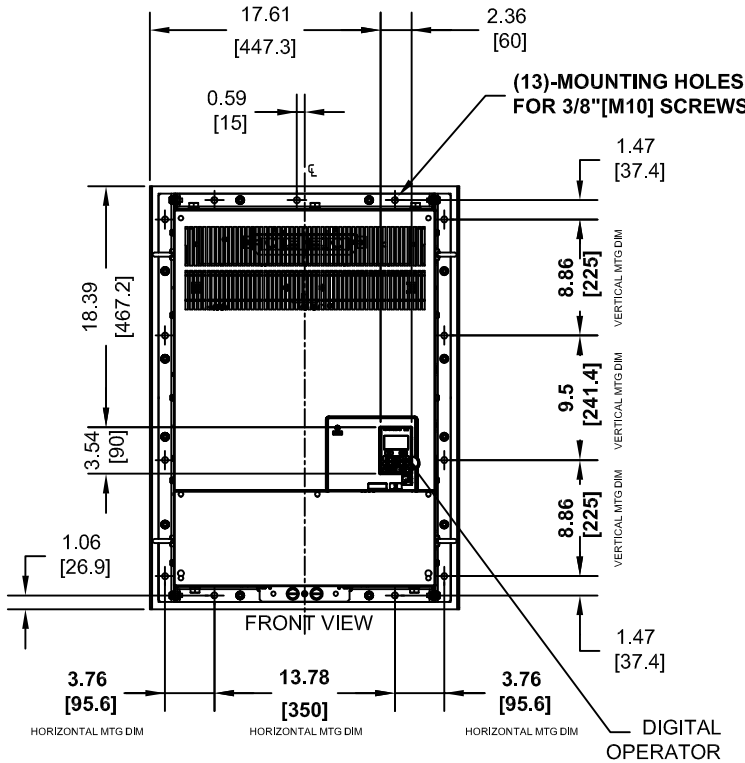


LIFTING AND EYEBOLT DETAILS

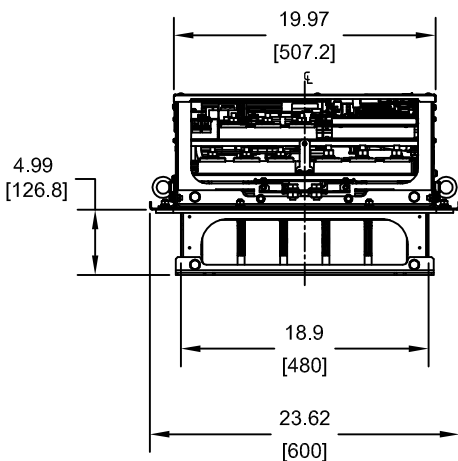


NOTE:
MAXIMUM SURROUNDING AIR
TEMPERATURE RATING IS 122F(50C).

(13)-MOUNTING HOLES
FOR 3/8" [M10] SCREWS



(2)-MOUNTING BRACKETS
USED DURING TRANSPORT ONLY
REMOVE BEFORE INSTALLING



MODEL # CIMR-ZU	INPUT TYPE	VOLTAGE 3-PHASE (VAC)	OUTPUT CURRENT (A)	WEIGHT LBS (Kg)	HEAT LOSS (W) (Fc=2kHz)		
					INT	EXT	TOT
4T0250UXX	12 PULSE	380/480	250	198 (90)	729	2305	3034
4T0296UXX			296	209 (95)	772	2308	3080
4T0362UXX			362	214 (97)	874	3168	4042

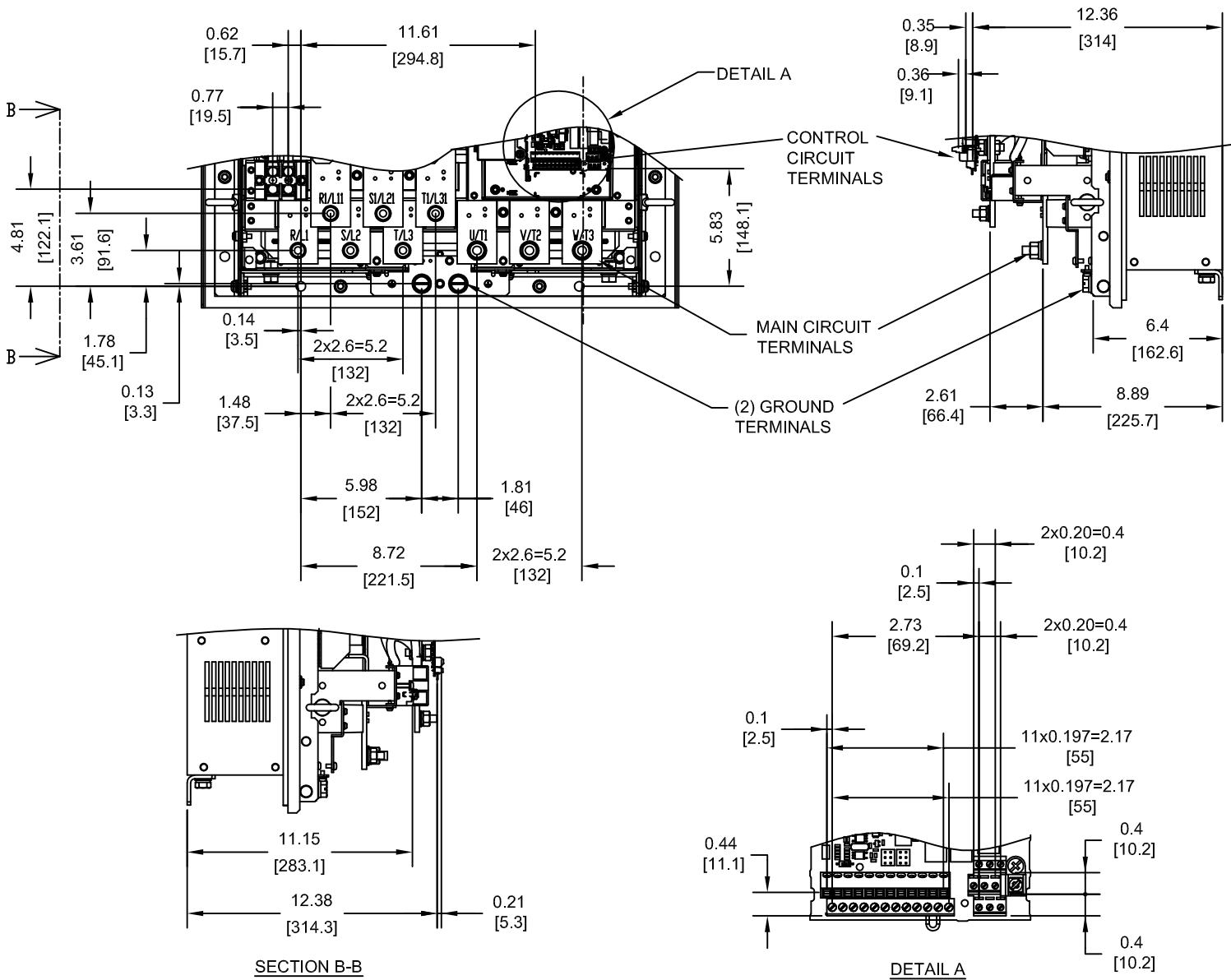
NOTE:
XX DENOTES AA-ZZ

INT=INTERNAL COMPONENTS
EXT=EXTERNAL HEATSINK
TOT=TOTAL

FOR ADDITIONAL DETAILS AND SPECIFICATIONS, CONSULT MANUAL

TOLERANCES / REFERENCES:			DRAWN: J. MATTAS DATE: 5-30-14	TITLE: Z1000 12 PULSE DIMENSION DRAWING FRAME SIZE 12 DESIGNED FOR IP54/TYPE 12 ENCLOSURES 4T0250U, 4T0296U & 4T0362U
UNITS: IN [mm]	SCALE: 1:15		CHECKED: J. PIOTROWSKI DATE: 6-12-14	TECH: J. BORJA DATE: 6-16-14
THIS DOCUMENT AND INFORMATION CONTAINED IN IT ARE CONFIDENTIAL, AND CANNOT BE COPIED OR DISCLOSED IN WHOLE OR IN PART WITHOUT THE EXPRESS WRITTEN CONSENT OF YASKAWA AMERICA, INC.		APPROVED: J. CAIRO DATE: 7-2-14	ORIGINAL DESIGN: - DATE: -	SIZE: A REVISION: R00 PAGE: 1 of 3
			DRAWING #: DD.Z1K12.FR12.FLNG	

TERMINAL AND WIRING DETAILS (SCALE 1:8)



TERMINAL AND WIRE SPECIFICATIONS FOR MAIN CIRCUIT AND GROUND

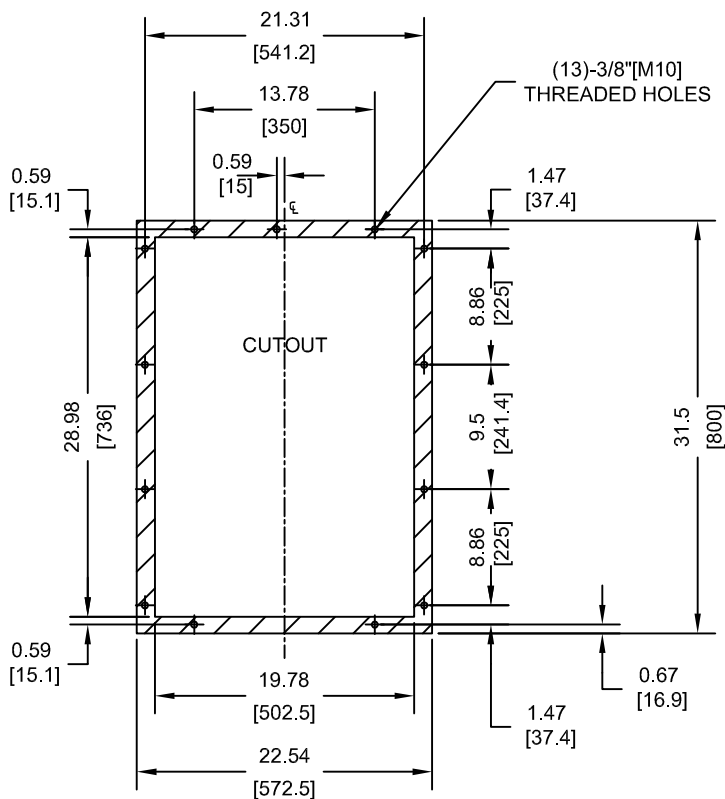
MODEL # CIMR-ZU	TERMINAL SYMBOL	TERMINAL SCREW	CLAMPING TORQUE lb.in.(N.m.)	WIRE RANGE AWG(mm ²)
4T0250U	R/L1, S/L2, T/L3	M10	159 TO 204 (18 TO 23)	SEE NOTE
	R1/L11, S1/L21, T1/L31			
	U/T1, V/T2, W/T3	M6	22.1 TO 26.6 (2.5 TO 3.0)	22-1/0 (0.3-53.5)
	⊖, ⊕3			
4T0296U 4T0362U	R/L1, S/L2, T/L3	M10	159 TO 204 (18 TO 23)	SEE NOTE
	R1/L11, S1/L21, T1/L31			
	U/T1, V/T2, W/T3	M12	283.2 TO 354.0 (32 TO 40)	SEE NOTE
	⊖, ⊕3			
		M12	283.2 TO 354.0 (32 TO 40)	SEE NOTE

NOTE: REFER TO APPLICABLE CODES FOR PROPER WIRE TYPE AND SIZE

FOR ADDITIONAL DETAILS AND SPECIFICATIONS, CONSULT MANUAL

TOLERANCES / REFERENCES:		<p>THIS DOCUMENT AND INFORMATION CONTAINED IN IT ARE CONFIDENTIAL, AND CANNOT BE COPIED OR DISCLOSED IN WHOLE OR IN PART WITHOUT THE EXPRESS WRITTEN CONSENT OF YASKAWA AMERICA, INC.</p>	DRAWN: J. MATTAS CHECKED: J. PIOTROWSKI TECH: J. BORJA APPROVED: J. CAIRO ORIGINAL DESIGN: -	DATE 5-30-14 DATE 6-12-14 DATE 6-16-14 DATE 7-2-14 DATE -	TITLE: Z1000 12 PULSE DIMENSION DRAWING FRAME SIZE 12 DESIGNED FOR IP54/TYPE 12 ENCLOSURES 4T0250U, 4T0296U & 4T0362U SIZE A REVISION R00 PAGE 2 of 3 DRAWING #: DD.Z1K12.FR12.FLNG
UNITS: IN [mm]	SCALE: BY VIEW				


PANEL CUTOUT FOR EXTERNAL HEATSINK MOUNTING CONFIGURATION (SCALE 1:15)



NOTES:

- 1. CUTOUT TOLERANCES:
+/- 0.02IN (0.5MM)
- 2. EXPOSED HEATSINK DEPTH
D=4.99" MINUS PANEL THICKNESS
- 3. MIN. RECOMMENDED PANEL
THICKNESS: 10 GA

FOR ADDITIONAL DETAILS AND SPECIFICATIONS, CONSULT MANUAL

TOLERANCES / REFERENCES:				DRAWN: J. MATTAS	DATE: 5-30-14	TITLE: Z1000 12 PULSE DIMENSION DRAWING FRAME SIZE 12 DESIGNED FOR IP54/TYPE 12 ENCLOSURES 4T0250U, 4T0296U & 4T0362U		
				CHECKED: J. PIOTROWSKI	DATE: 6-12-14			
UNITS: IN [mm]		SCALE: BY VIEW		THIS DOCUMENT AND INFORMATION CONTAINED IN IT ARE CONFIDENTIAL, AND CANNOT BE COPIED OR DISCLOSED IN WHOLE OR IN PART WITHOUT THE EXPRESS WRITTEN CONSENT OF YASKAWA AMERICA, INC.		TECH: J. BORJA	DATE: 6-16-14	
						APPROVED: J. CAIRO	DATE: 7-2-14	
						ORIGINAL DESIGN: -	DATE: -	
						SIZE: A	REVISION: R00	PAGE: 3 of 3
						DRAWING #: DD.Z1K12.FR12.FLNG		