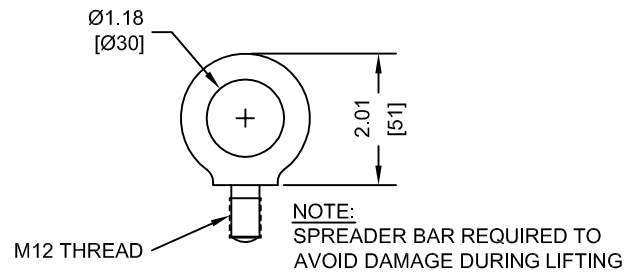


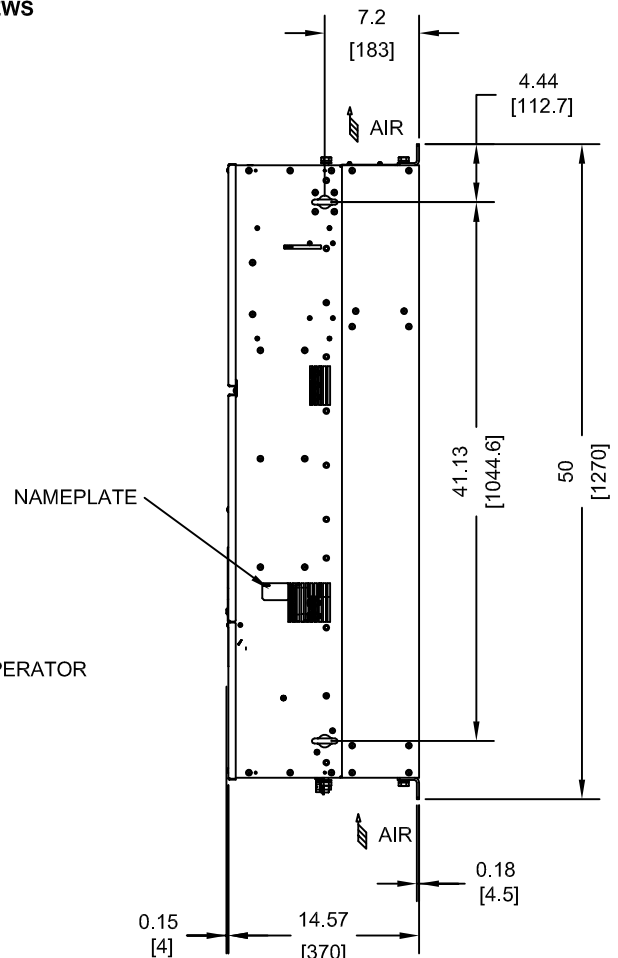
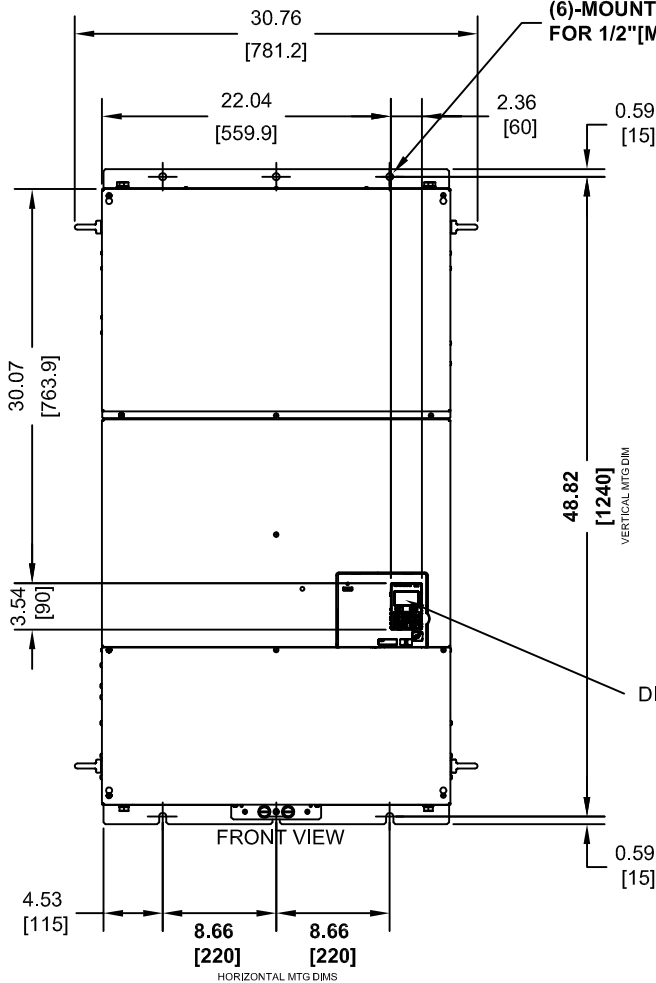
(3) EXTERNAL COOLING FANS



LIFTING AND EYEBOLT DETAILS



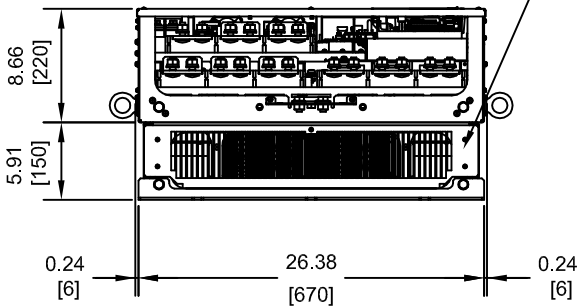
(6)-MOUNTING HOLES FOR 1/2" [M12] SCREWS



DIGITAL OPERATOR

NAMEPLATE

OPTIONAL CAPACITOR COVER
WHEN USING AN EXTERNAL MOUNT HEATSINK, UL COMPLIANCE REQUIRES COVERING EXPOSED CAPACITORS IN THE MAIN CIRCUIT TO PREVENT INJURY. CONSULT MANUAL FOR DETAILS.



| MODEL # CIMR-ZU | INPUT TYPE | VOLTAGE 3-PHASE (VAC) | OUTPUT CURRENT (A) | WEIGHT LBS (Kg) | HEAT LOSS (W) (Fc=2kHz) | | |
|--------------------|------------|-----------------------------|-----------------------|--------------------|----------------------------|------|------|
| | | | | | INT | EXT | TOT |
| 4T0515AAXX | 12 PULSE | 380/480 | 515 | 449 (204) | 1474 | 4850 | 6324 |
| 4T0675AAXX | | | 675 | 460 (209) | 1789 | 4861 | 6650 |

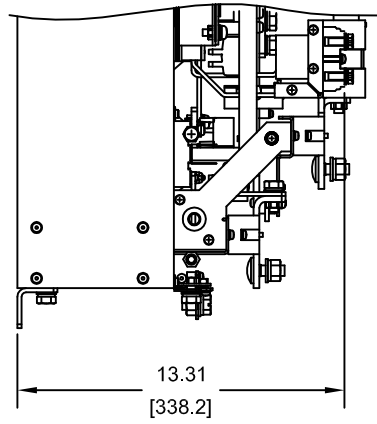
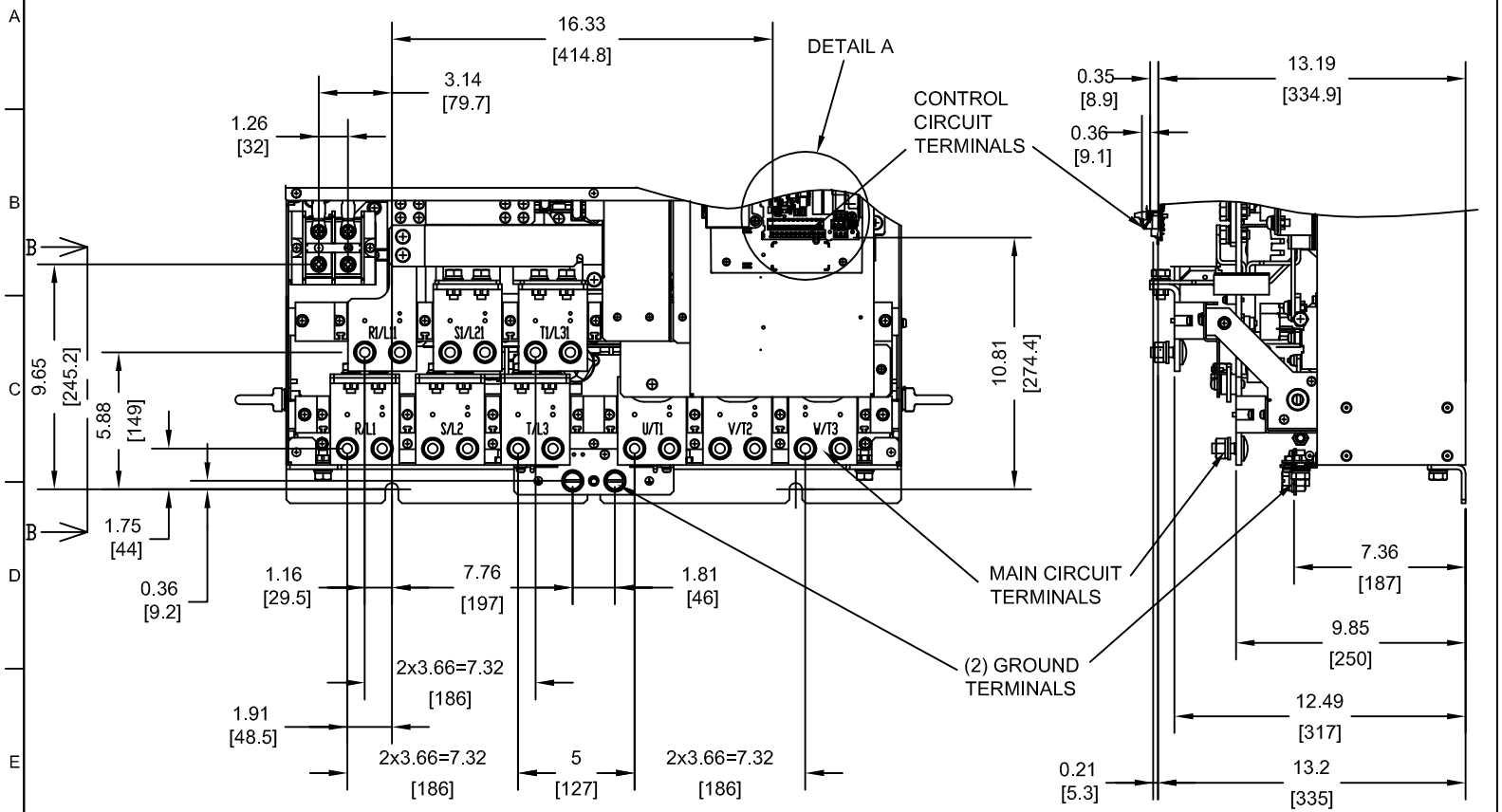
NOTE:
XX DENOTES AA-ZZ

INT=INTERNAL COMPONENTS
EXT=EXTERNAL HEATSINK
TOT=TOTAL

FOR ADDITIONAL DETAILS AND SPECIFICATIONS, CONSULT MANUAL

| | | | | |
|--------------------------|--|-------------------------------------------------------------------------------------------------------------------------------------------------------------------------------------------|--------------------------------------------|------------------------------------------------------------------------------------------------------|
| TOLERANCES / REFERENCES: | | <p>THIS DOCUMENT AND INFORMATION CONTAINED IN IT ARE CONFIDENTIAL, AND CANNOT BE COPIED OR DISCLOSED IN WHOLE OR IN PART WITHOUT THE EXPRESS WRITTEN CONSENT OF YASKAWA AMERICA, INC.</p> | DRAWN: J. MATTAS DATE: 6-5-14 | TITLE: Z1000 12 PULSE DIMENSION DRAWING FRAME SIZE 14 IP00 ENCLOSURE 4T0515A AND 4T0675A |
| UNITS: IN[mm] | | | CHECKED: J. PIOTROWSKI DATE: 6-16-14 | SIZE: A REVISION: R02 PAGE: 1 of 3 |
| SCALE: 1:15 | | | TECH: J. BORJA DATE: 6-19-14 | DRAWING #: DD.Z1K12.FR14.IP00 |
| | | | APPROVED: J. CAIRO DATE: 7-7-14 | |

TERMINAL AND WIRING DETAILS (SCALE 1:8)



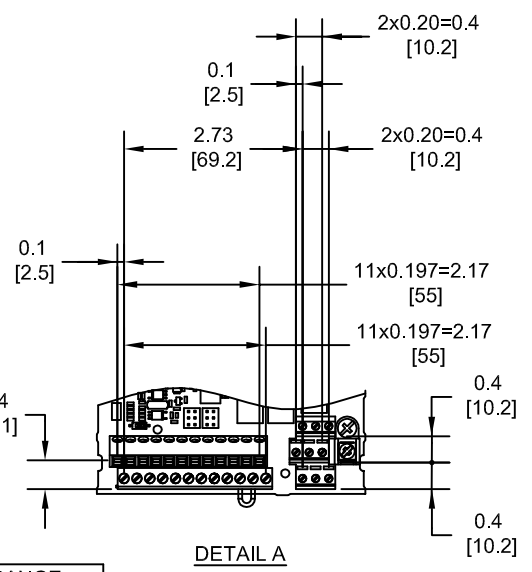
SECTION B-B

TERMINAL AND WIRE SPECIFICATIONS FOR MAIN CIRCUIT AND GROUND

| MODEL # CIMR-ZU | TERMINAL SYMBOL | TERMINAL SCREW | CLAMPING TORQUE lb.in.(N.m.) | WIRE RANGE AWG(mm) |
|--------------------|------------------------|----------------|---------------------------------|-----------------------|
| 4T0515A 4T0675A | R/L1, S/L2, T/L3 | M12 | 283.2 TO 354.0 (32 TO 40) | SEE NOTE |
| | R1/L11, S1/L21, T1/L31 | | | |
| | U/T1, V/T2, W/T3 | | | |
| | ⊙, ⊘3 | M8 | 119.5 TO 132.8 (13.5 TO 15) | 6-250kcmil (13.3-127) |
| | ⊕ | M12 | 283.2 TO 354.0 (32 TO 40) | SEE NOTE |

NOTE: REFER TO APPLICABLE CODES FOR PROPER WIRE TYPE AND SIZE

FOR ADDITIONAL DETAILS AND SPECIFICATIONS, CONSULT MANUAL



DETAIL A

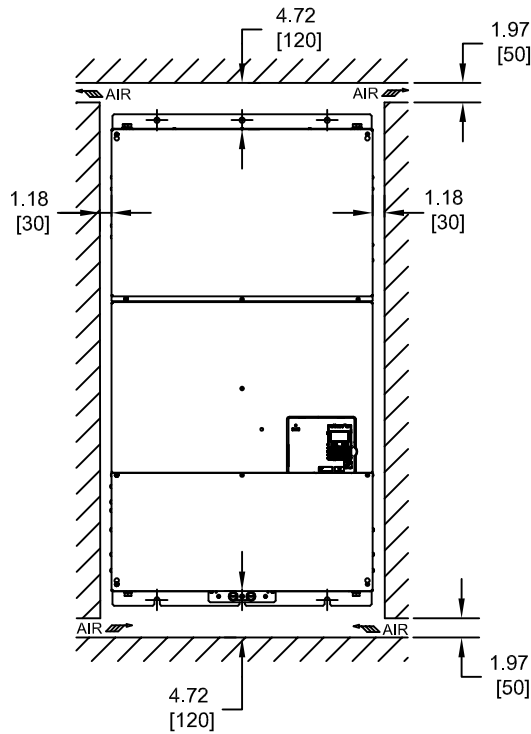
TOLERANCES / REFERENCES:



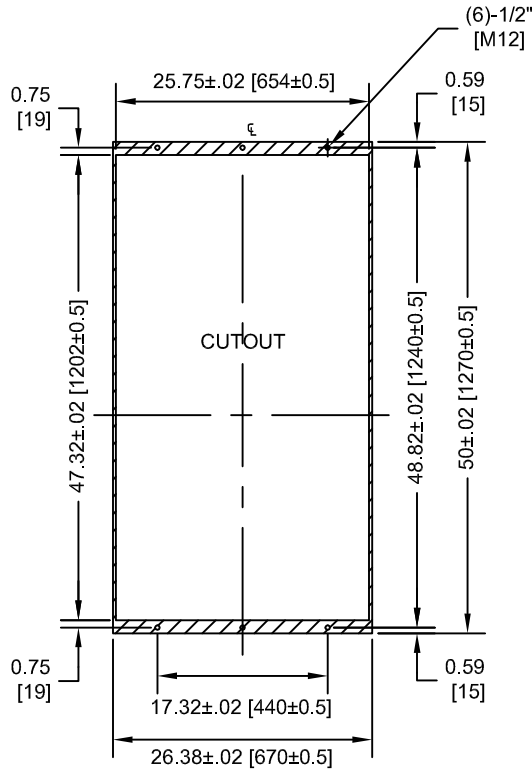
THIS DOCUMENT AND INFORMATION CONTAINED IN IT ARE CONFIDENTIAL, AND CANNOT BE COPIED OR DISCLOSED IN WHOLE OR IN PART WITHOUT THE EXPRESS WRITTEN CONSENT OF YASKAWA AMERICA, INC.

| | | |
|-----------------------------------------|-----------------|--------------------------------------------|
| DRAWN: J. MATTAS | DATE 6-5-14 | TITLE: Z1000 12 PULSE DIMENSION DRAWING |
| CHECKED: J. PIOTROWSKI | DATE 6-16-14 | FRAME SIZE 14 |
| TECH: J. BORJA | DATE 6-19-14 | IP00 ENCLOSURE |
| APPROVED: J. CAIRO | DATE 7-7-14 | 4T0515A AND 4T0675A |
| ORIGINAL DESIGN: - | DATE - | SIZE: A |
| | | REVISION: R02 |
| | | PAGE: 2 of 3 |
| DRAWING #: DD.Z1K12.FR14.IP00 | | |

MINIMUM INSTALLATION CLEARANCES (SCALE 1:20)



PANEL CUTOUT FOR EXTERNAL HEATSINK MOUNTING CONFIGURATION (SCALE 1:20)



NOTE:
EXPOSED HEATSINK DEPTH
D=5.91" MINUS PANEL THICKNESS

FOR ADDITIONAL DETAILS AND SPECIFICATIONS, CONSULT MANUAL

| | | | | |
|--------------------------|-------------------|------------------------------------------------------------------------------------------------------------------------------------------------------------------------------------------------|--------------------------------------------|-------------------------------------------------------------|
| TOLERANCES / REFERENCES: | | | DRAWN: J. MATTAS DATE: 6-5-14 | TITLE: Z1000 12 PULSE DIMENSION DRAWING FRAME SIZE 14 |
| | | | CHECKED: J. PIOTROWSKI DATE: 6-16-14 | IP00 ENCLOSURE 4T0515A AND 4T0675A |
| | | THIS DOCUMENT AND INFORMATION CONTAINED IN IT ARE CONFIDENTIAL, AND CANNOT BE COPIED OR DISCLOSED IN WHOLE OR IN PART WITHOUT THE EXPRESS WRITTEN CONSENT OF YASKAWA AMERICA, INC. | TECH: J. BORJA DATE: 6-19-14 | SIZE: A REVISION: R02 PAGE: 3 of 3 |
| UNITS: IN[mm] | SCALE: BY VIEW | APPROVED: J. CAIRO DATE: 7-7-14 | ORIGINAL DESIGN: - | DRAWING #: DD.Z1K12.FR14.IP00 |