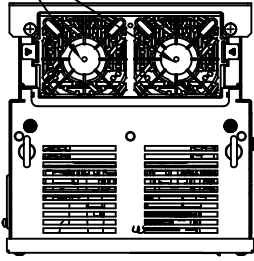
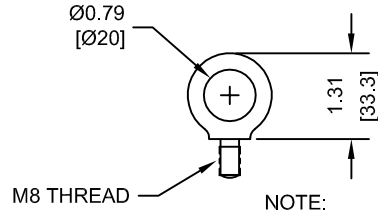


(2) EXTERNAL COOLING FANS

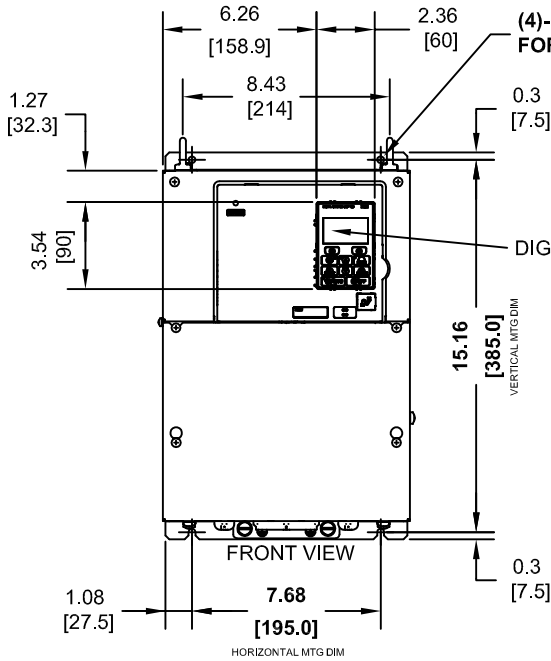


LIFTING AND EYEBOLT DETAILS



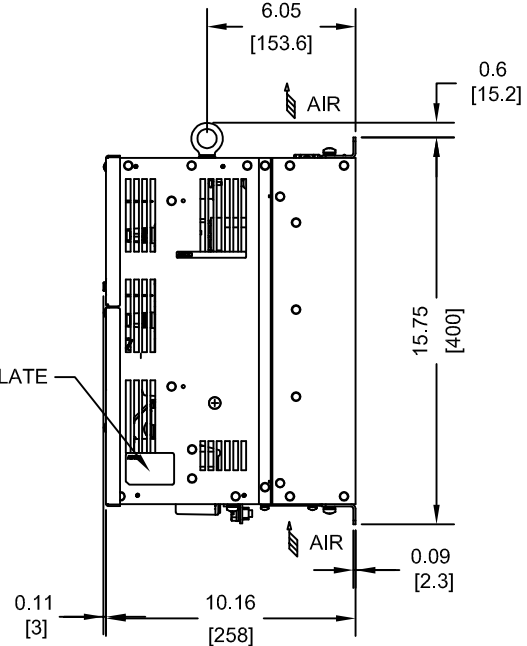
NOTE:  
SPREADER BAR REQUIRED TO AVOID DAMAGE DURING LIFTING

(4)-MOUNTING HOLES FOR 1/4" [M6] SCREWS

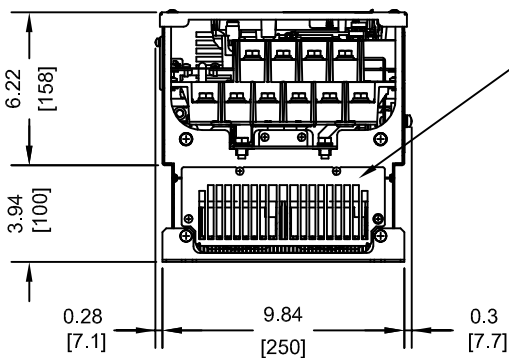


DIGITAL OPERATOR

NAMEPLATE



OPTIONAL CAPACITOR COVER  
WHEN USING AN EXTERNAL MOUNT HEATSINK, UL COMPLIANCE REQUIRES COVERING EXPOSED CAPACITORS IN THE MAIN CIRCUIT TO PREVENT INJURY. CONSULT MANUAL FOR DETAILS.



MODEL # CIMR-ZU	INPUT TYPE	VOLTAGE 3-PHASE (VAC)	OUTPUT CURRENT (A)	WEIGHT LBS (Kg)	HEAT LOSS (W) (Fc=2kHz)		
					INT	EXT	TOT
4T0058AXX	12 PULSE	380/480	58.0	44.0 (20)	197	453	650

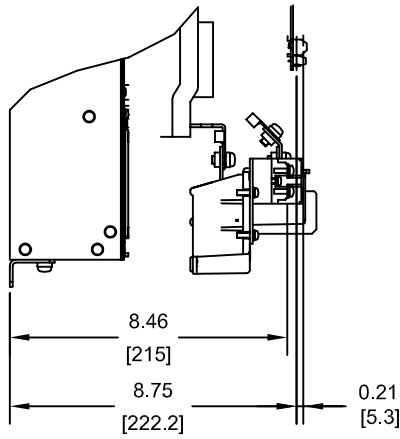
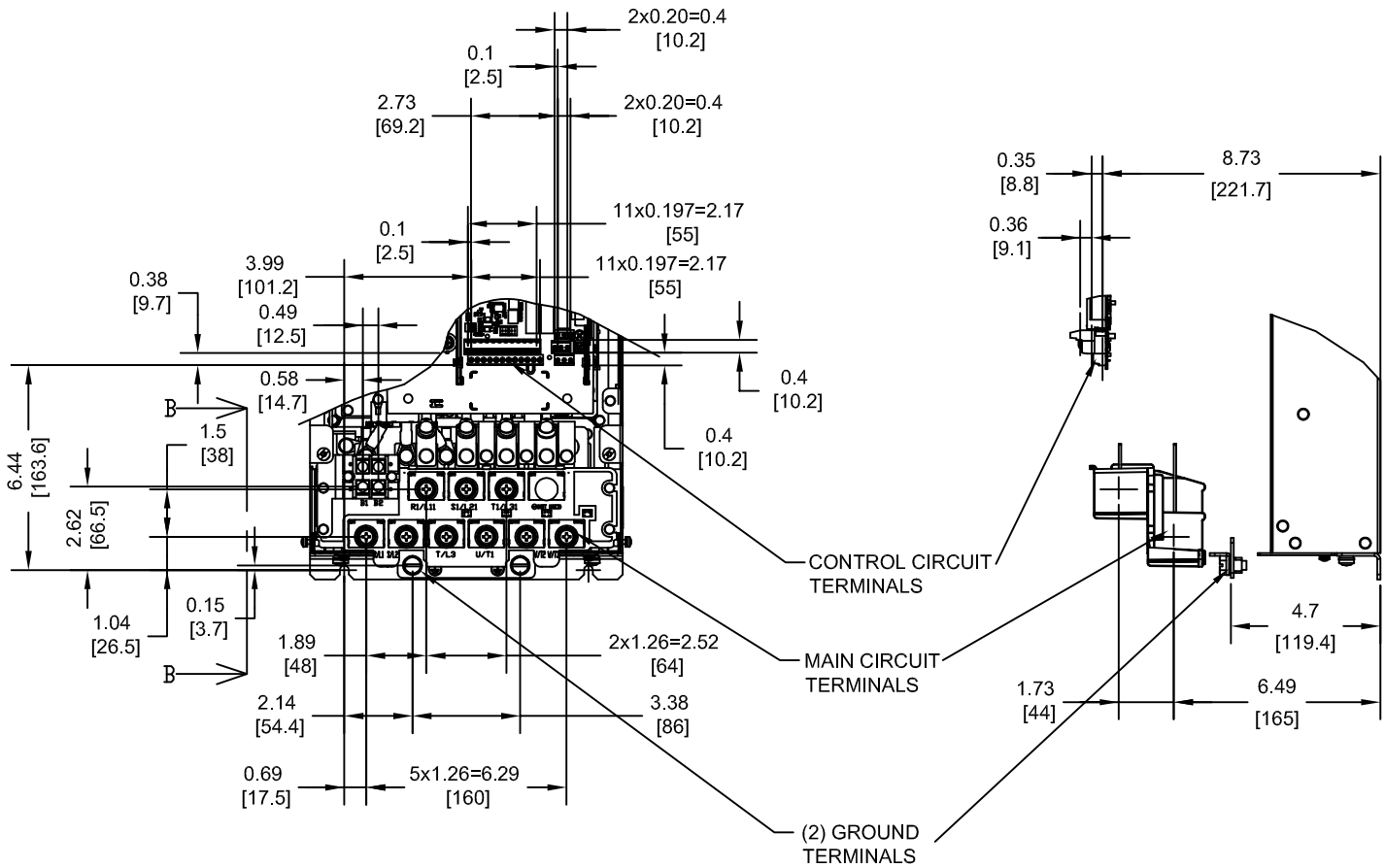
NOTE:  
XX DENOTES AA-ZZ

INT=INTERNAL COMPONENTS  
EXT=EXTERNAL HEATSINK  
TOT=TOTAL

FOR ADDITIONAL DETAILS AND SPECIFICATIONS, CONSULT MANUAL

TOLERANCES / REFERENCES:		<p>THIS DOCUMENT AND INFORMATION CONTAINED IN IT ARE CONFIDENTIAL, AND CANNOT BE COPIED OR DISCLOSED IN WHOLE OR IN PART WITHOUT THE EXPRESS WRITTEN CONSENT OF YASKAWA AMERICA, INC.</p>	DRAWN: J. MATTAS DATE 6-3-14	TITLE: Z1000 12 PULSE DIMENSION DRAWING FRAME SIZE 7 IP00 ENCLOSURE 4T0058A	
UNITS: IN[mm]			CHECKED: J. PIOTROWSKI DATE 6-16-14	SIZE A	REVISION R02
SCALE: 1:8			TECH: J. BORJA DATE 6-19-14	DATE 7-7-14	PAGE 1 of 3
			APPROVED: J. CAIRO DATE 7-7-14	ORIGINAL DESIGN: -	DRAWING #: DD.Z1K12.FR7.IP00

TERMINAL AND WIRING DETAILS (SCALE 1:6)



TERMINAL AND WIRE SPECIFICATIONS FOR MAIN CIRCUIT AND GROUND

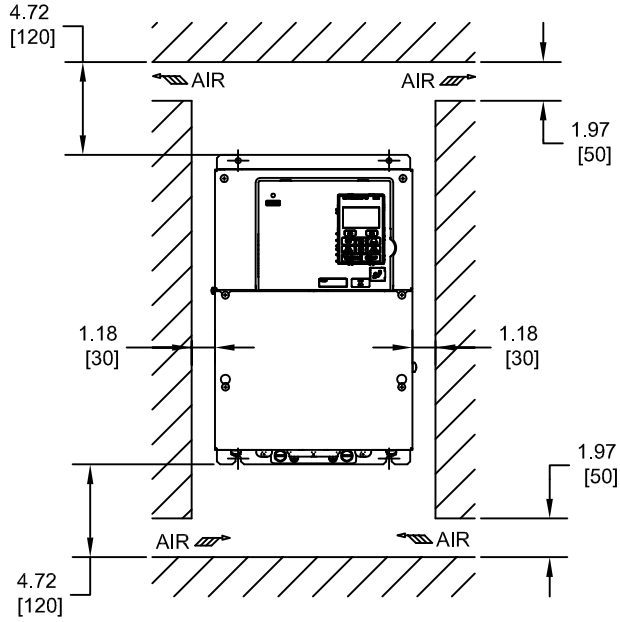
MODEL #	TERMINAL SYMBOL	TERMINAL SCREW	CLAMPING TORQUE lb.in.(N.m.)	WIRE RANGE AWG(mm <sup>2</sup> )
4T0058A	R/L1, S/L2, T/L3	M8	79.7 TO 97.4 (9 TO 11)	10-1/0 (5.3-53.5)
	R1/L11, S1/L21, T1/L31			
	U/T1, V/T2, W/T3			
	B1, B2	M4	10.6 (1.2)	22-10 (0.3-5.3)
	⊕	M8	79.7 TO 97.4 (9 TO 11)	SEE NOTE

NOTE: REFER TO APPLICABLE CODES FOR PROPER WIRE TYPE AND SIZE

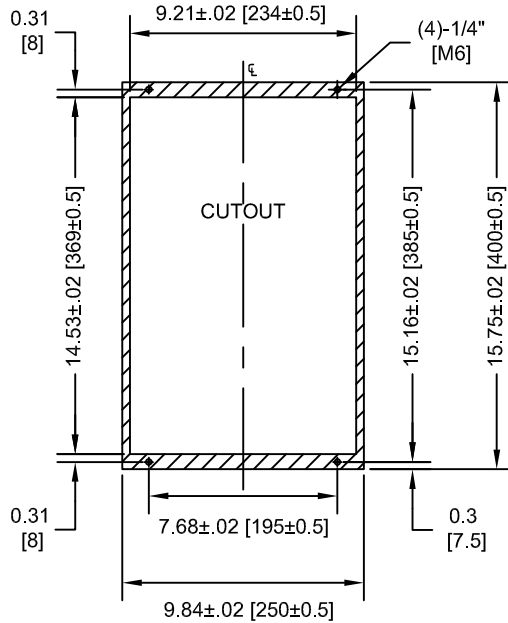
FOR ADDITIONAL DETAILS AND SPECIFICATIONS, CONSULT MANUAL

TOLERANCES / REFERENCES:			DRAWN:	J. MATTAS	DATE:	6-3-14	TITLE:				
UNITS:	IN[mm]		SCALE:	BY VIEW	CHECKED:	J. PIOTROWSKI	DATE:	6-16-14	Z1000 12 PULSE DIMENSION DRAWING FRAME SIZE 7 IP00 ENCLOSURE 4T0058A		
THIS DOCUMENT AND INFORMATION CONTAINED IN IT ARE CONFIDENTIAL, AND CANNOT BE COPIED OR DISCLOSED IN WHOLE OR IN PART WITHOUT THE EXPRESS WRITTEN CONSENT OF YASKAWA AMERICA, INC.		TECH:	J. BORJA	DATE:	6-19-14	SIZE:	A	REVISION:	R02	PAGE:	2 of 3
		APPROVED:	J. CAIRO	DATE:	7-7-14	DRAWING #:	DD.Z1K12.FR7.IP00				
		ORIGINAL DESIGN:	-	DATE:	-						

MINIMUM INSTALLATION CLEARANCES (SCALE 1:10)




PANEL CUTOUT FOR EXTERNAL HEATSINK MOUNTING CONFIGURATION (SCALE 1:8)



NOTE:  
EXPOSED HEATSINK DEPTH  
D=3.94" MINUS PANEL THICKNESS

FOR ADDITIONAL DETAILS AND SPECIFICATIONS, CONSULT MANUAL

TOLERANCES / REFERENCES:		 <p>THIS DOCUMENT AND INFORMATION CONTAINED IN IT ARE CONFIDENTIAL, AND CANNOT BE COPIED OR DISCLOSED IN WHOLE OR IN PART WITHOUT THE EXPRESS WRITTEN CONSENT OF YASKAWA AMERICA, INC.</p>	DRAWN: J. MATTAS CHECKED: J. PIOTROWSKI TECH: J. BORJA APPROVED: J. CAIRO ORIGINAL DESIGN: -	DATE 6-3-14 DATE 6-16-14 DATE 6-19-14 DATE 7-7-14 DATE -	TITLE: Z1000 12 PULSE DIMENSION DRAWING FRAME SIZE 7 IP00 ENCLOSURE 4T0058A
UNITS: IN[mm]	SCALE: BY VIEW		SIZE A	REVISION R02	PAGE 3 of 3
			DRAWING #:		
			DD.Z1K12.FR7.IP00		