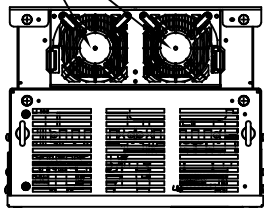
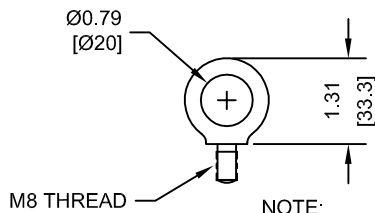


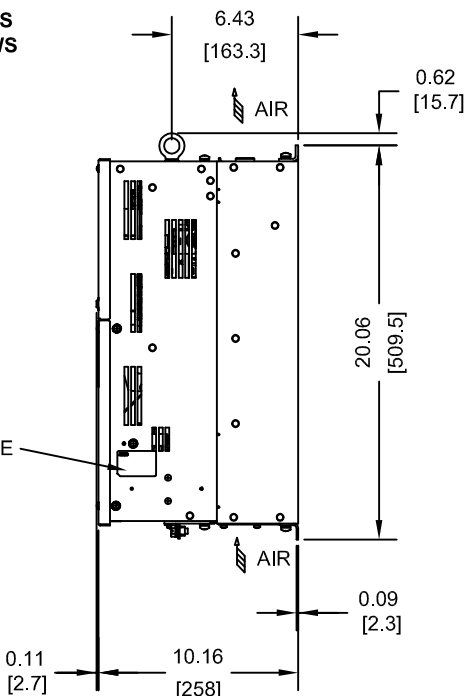
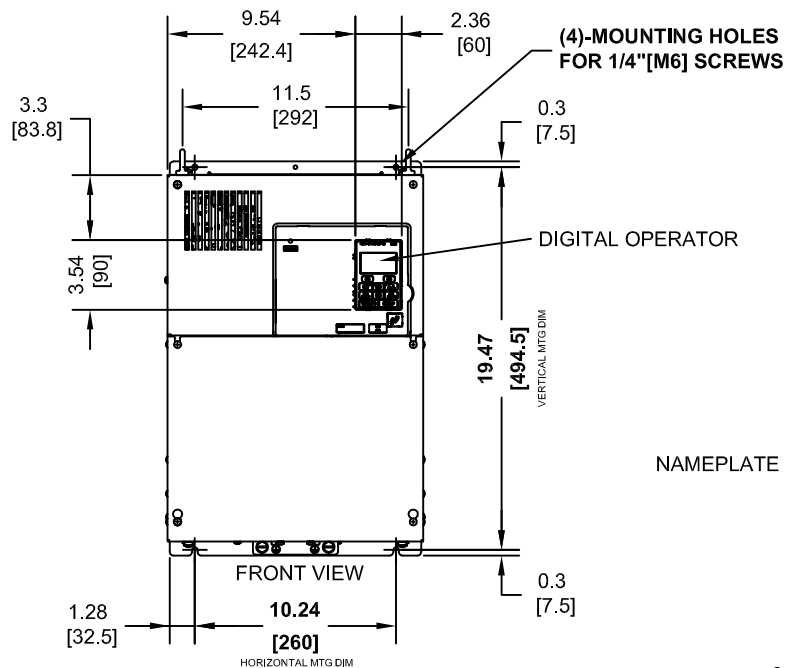
(2) EXTERNAL COOLING FANS



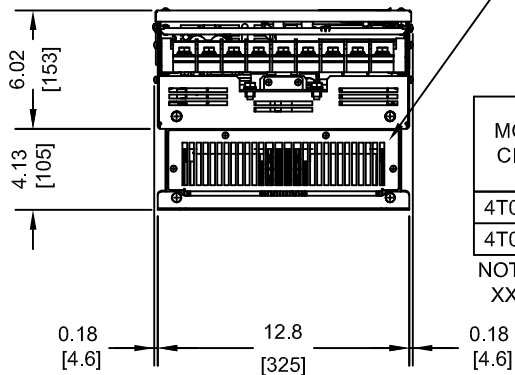
LIFTING AND EYEBOLT DETAILS



NOTE:
SPREADER BAR REQUIRED TO AVOID DAMAGE DURING LIFTING



OPTIONAL CAPACITOR COVER
WHEN USING AN EXTERNAL MOUNT HEATSINK, UL COMPLIANCE REQUIRES COVERING EXPOSED CAPACITORS IN THE MAIN CIRCUIT TO PREVENT INJURY. CONSULT MANUAL FOR DETAILS.



MODEL # CIMR-ZU	INPUT TYPE	VOLTAGE 3-PHASE (VAC)	OUTPUT CURRENT (A)	WEIGHT LBS (Kg)	HEAT LOSS (W) (Fc=2kHz)		
					INT	EXT	TOT
4T0088AXX	12 PULSE	380/480	88	74.0 (34)	285	669	954
4T0103AXX			103	74.0 (34)	329	827	1156

NOTE:
XX DENOTES AA-ZZ

INT=INTERNAL COMPONENTS
EXT=EXTERNAL HEATSINK
TOT=TOTAL

FOR ADDITIONAL DETAILS AND SPECIFICATIONS, CONSULT MANUAL

TOLERANCES / REFERENCES:



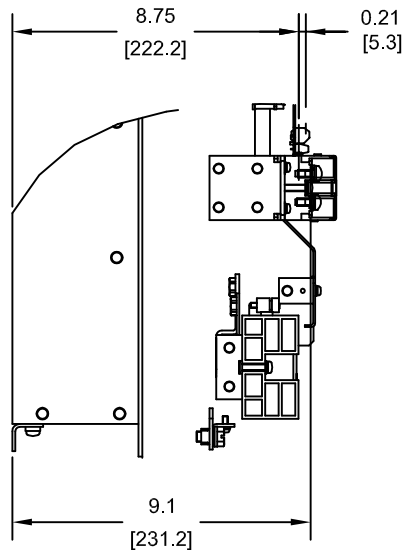
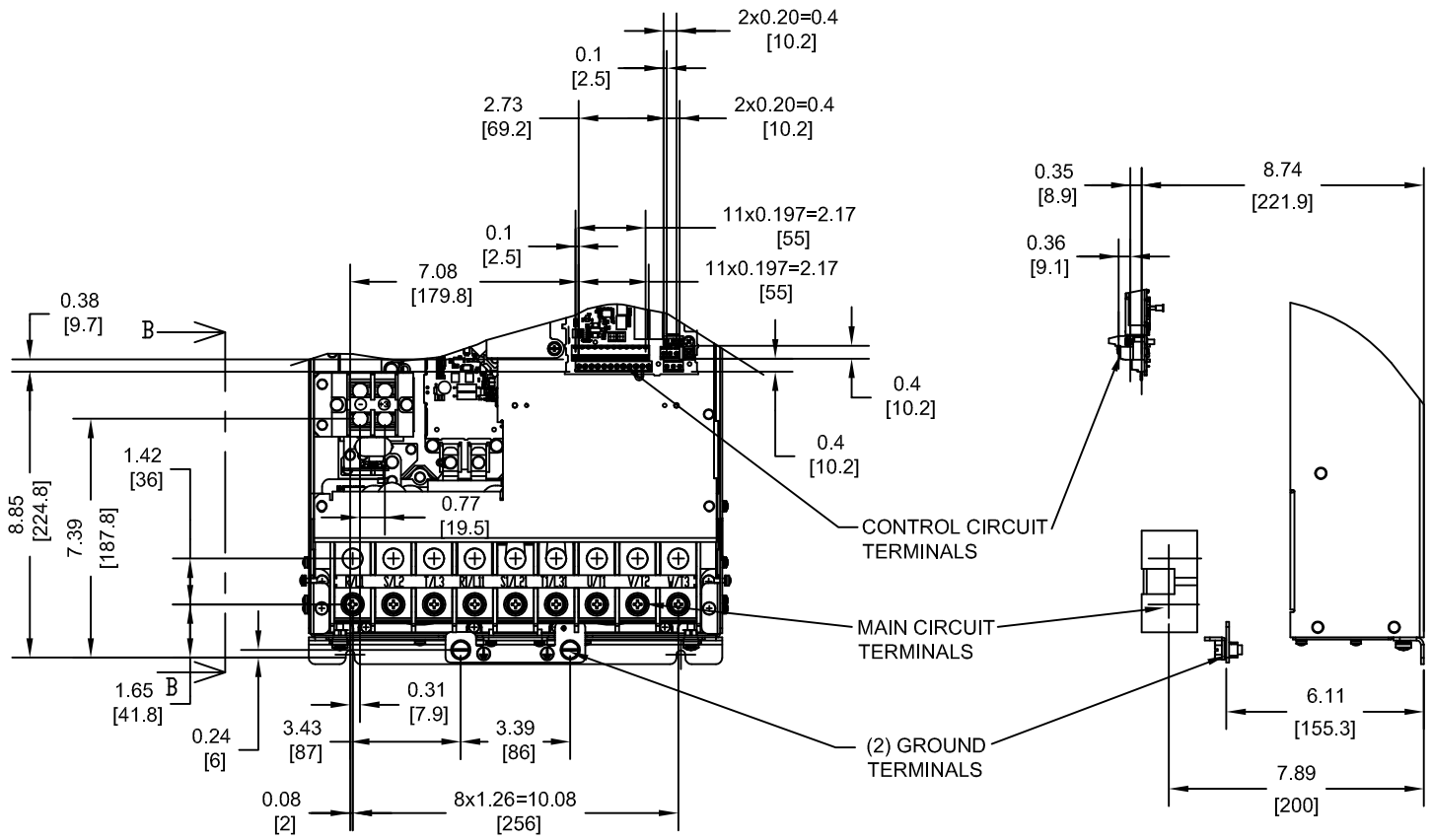
THIS DOCUMENT AND INFORMATION CONTAINED IN IT ARE CONFIDENTIAL, AND CANNOT BE COPIED OR DISCLOSED IN WHOLE OR IN PART WITHOUT THE EXPRESS WRITTEN CONSENT OF YASKAWA AMERICA, INC.

DRAWN: J. MATTAS	DATE 6-4-14
CHECKED: J. PIOTROWSKI	DATE 6-16-14
TECH: J. BORJA	DATE 6-19-14
APPROVED: J. CAIRO	DATE 7-7-14
ORIGINAL DESIGN:	DATE

TITLE: Z1000 12 PULSE DIMENSION DRAWING FRAME SIZE 9 IP00 ENCLOSURE 4T0088A & 4T0103A		
SIZE A	REVISION R02	PAGE 1 of 3
DRAWING #: DD.Z1K12.FR9.IP00		

UNITS: IN[mm] SCALE: 1:10

TERMINAL AND WIRING DETAILS (SCALE 1:6)



SECTION B-B

TERMINAL AND WIRE SPECIFICATIONS FOR MAIN CIRCUIT AND GROUND

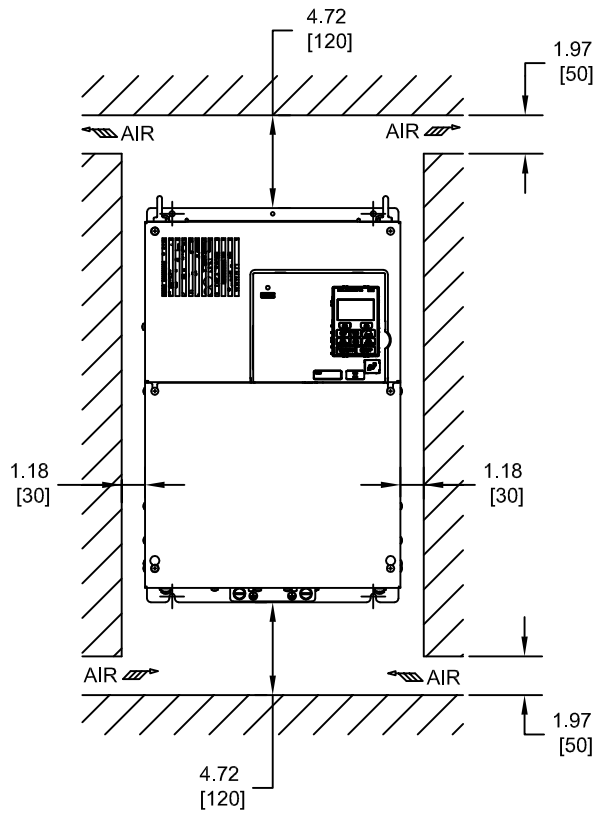
MODEL # CIMR-ZU	TERMINAL SYMBOL	TERMINAL SCREW	CLAMPING TORQUE lb.in.(N.m.)	WIRE RANGE AWG(mm ²)
4T0088A 4T0103A	R/L1, S/L2, T/L3	M8	79.7 TO 97.4 (9 TO 11)	6-250kcmil (13.3-127)
	R1/L11, S1/L21, T1/L31			
	U/T1, V/T2, W/T3	M6	22.1 TO 26.6 (2.5 TO 3.0)	22-1/0 (0.3-53.5)
	⊖ ⊕3			
	⊕	M8	79.7 TO 97.4 (9 TO 11)	SEE NOTE

NOTE: REFER TO APPLICABLE CODES FOR PROPER WIRE TYPE AND SIZE

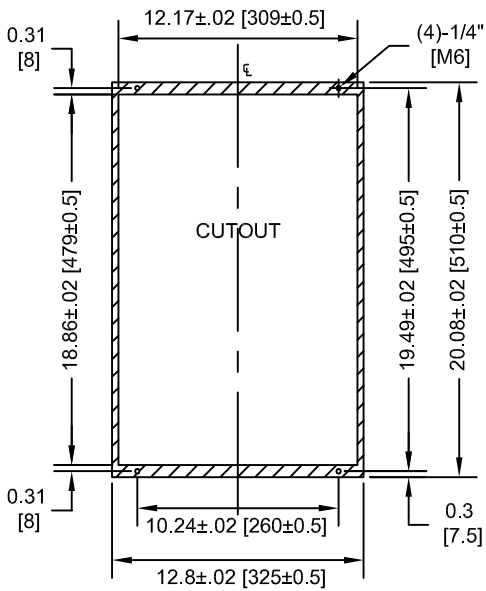
FOR ADDITIONAL DETAILS AND SPECIFICATIONS, CONSULT MANUAL

TOLERANCES / REFERENCES:			DRAWN: J. MATTAS DATE: 6-4-14	TITLE: Z1000 12 PULSE DIMENSION DRAWING FRAME SIZE 9 IP00 ENCLOSURE 4T0088A & 4T0103A
UNITS: IN[mm]	SCALE: BY VIEW		CHECKED: J. PIOTROWSKI DATE: 6-16-14	TECH: J. BORJA DATE: 6-19-14
THIS DOCUMENT AND INFORMATION CONTAINED IN IT ARE CONFIDENTIAL, AND CANNOT BE COPIED OR DISCLOSED IN WHOLE OR IN PART WITHOUT THE EXPRESS WRITTEN CONSENT OF YASKAWA AMERICA, INC.		APPROVED: J. CAIRO DATE: 7-7-14	DATE: 7-7-14	SIZE: A REVISION: R02 PAGE: 2 of 3
		ORIGINAL DESIGN: -	DATE: -	DRAWING #: DD.Z1K12.FR9.IP00

MINIMUM INSTALLATION CLEARANCES (SCALE 1:10)




PANEL CUTOUT FOR EXTERNAL HEATSINK MOUNTING CONFIGURATION (SCALE 1:10)



NOTE:
EXPOSED HEATSINK DEPTH
D=4.13" MINUS PANEL THICKNESS

FOR ADDITIONAL DETAILS AND SPECIFICATIONS, CONSULT MANUAL

TOLERANCES / REFERENCES:		 THIS DOCUMENT AND INFORMATION CONTAINED IN IT ARE CONFIDENTIAL, AND CANNOT BE COPIED OR DISCLOSED IN WHOLE OR IN PART WITHOUT THE EXPRESS WRITTEN CONSENT OF YASKAWA AMERICA, INC.	DRAWN: J. MATTAS	DATE 6-4-14	TITLE: Z1000 12 PULSE DIMENSION DRAWING FRAME SIZE 9 IP00 ENCLOSURE 4T0088A & 4T0103A	
			CHECKED: J. PIOTROWSKI	DATE 6-16-14		
			TECH: J. BORJA	DATE 6-19-14		
			APPROVED: J. CAIRO	DATE 7-7-14		
UNITS: IN[mm]	SCALE: BY VIEW	ORIGINAL DESIGN: -	DATE -	SIZE A	REVISION R02	PAGE 3 of 3
				DRAWING #: DD.Z1K12.FR9.IP00		