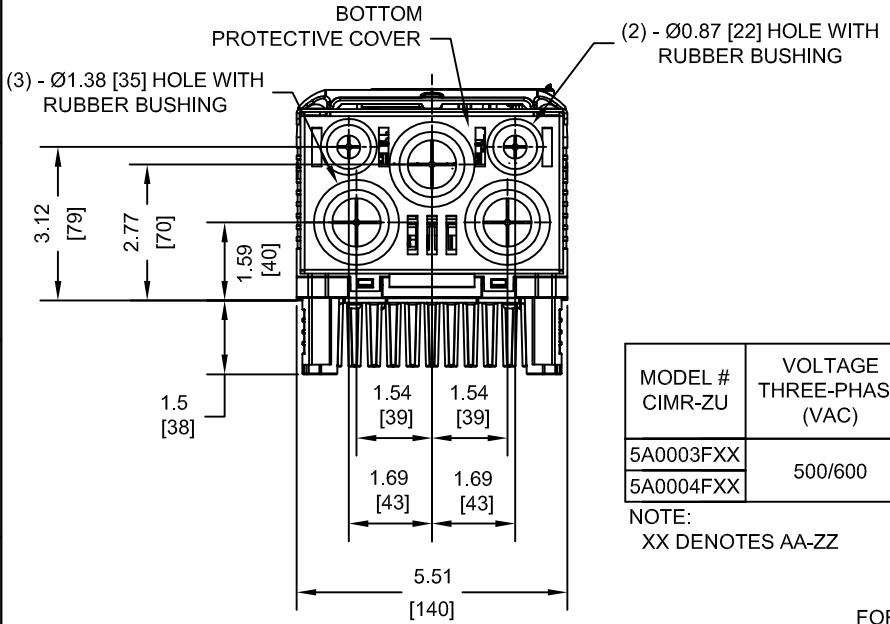
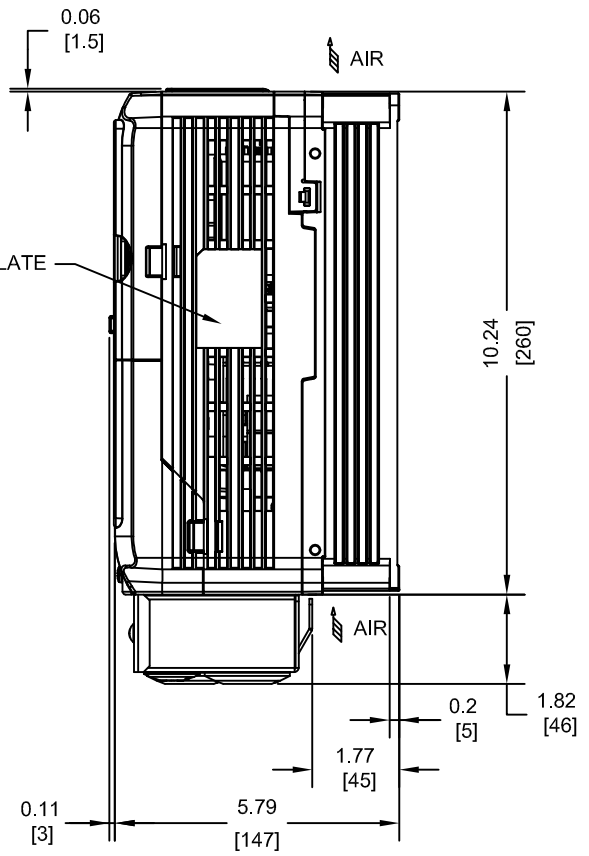
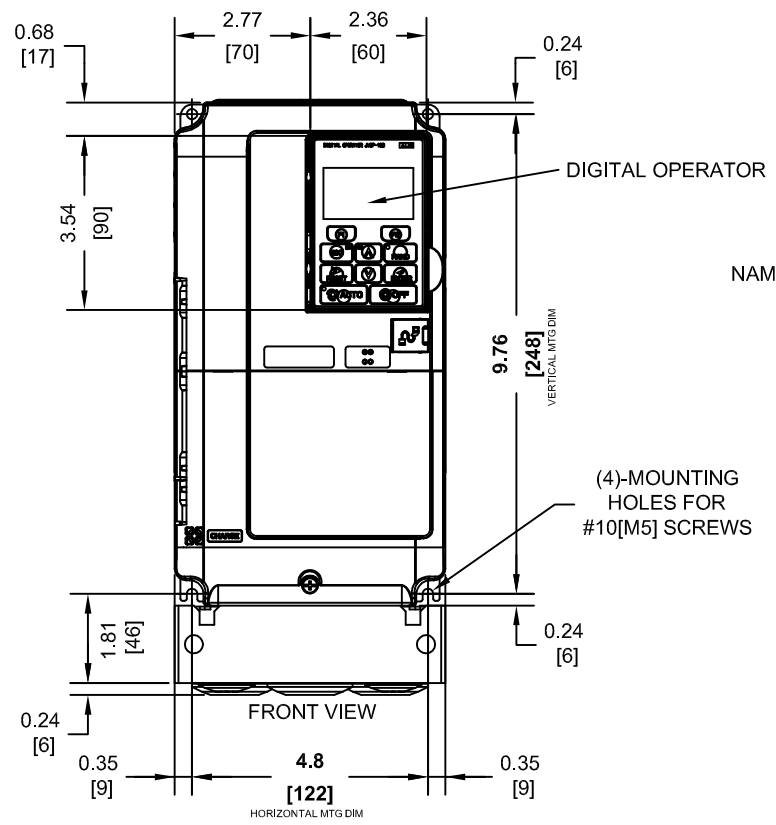


NOTE:
 PROTECTIVE COVERS ARE FACTORY INSTALLED TO THE TOP AND BOTTOM OF THE DRIVE TO MEET IP20 & NEMA TYPE 1 REQUIREMENTS, RESULTING IN AN AMBIENT TEMPERATURE RATING OF 104F(40C). REMOVE THESE COVERS WHEN OPERATING THE DRIVE WITHIN A PANEL TO OBTAIN THE MAXIMUM SURROUNDING AIR TEMPERATURE RATING OF 122F(50C). REMOVING THESE COVERS RESULTS IN AN ENCLOSURE RATING OF IP00.



MODEL # CIMR-ZU	VOLTAGE THREE-PHASE (VAC)	OUTPUT CURRENT (A)	WEIGHT LBS (Kg)	HEAT LOSS (W) (Fc=2kHz)		
				INT	EXT	TOT
5A0003FXX	500/600	2.7	7.5 (3.4)	23.3	21.5	44.8
5A0004FXX		3.9	7.5 (3.4)	33.6	27.5	61.1

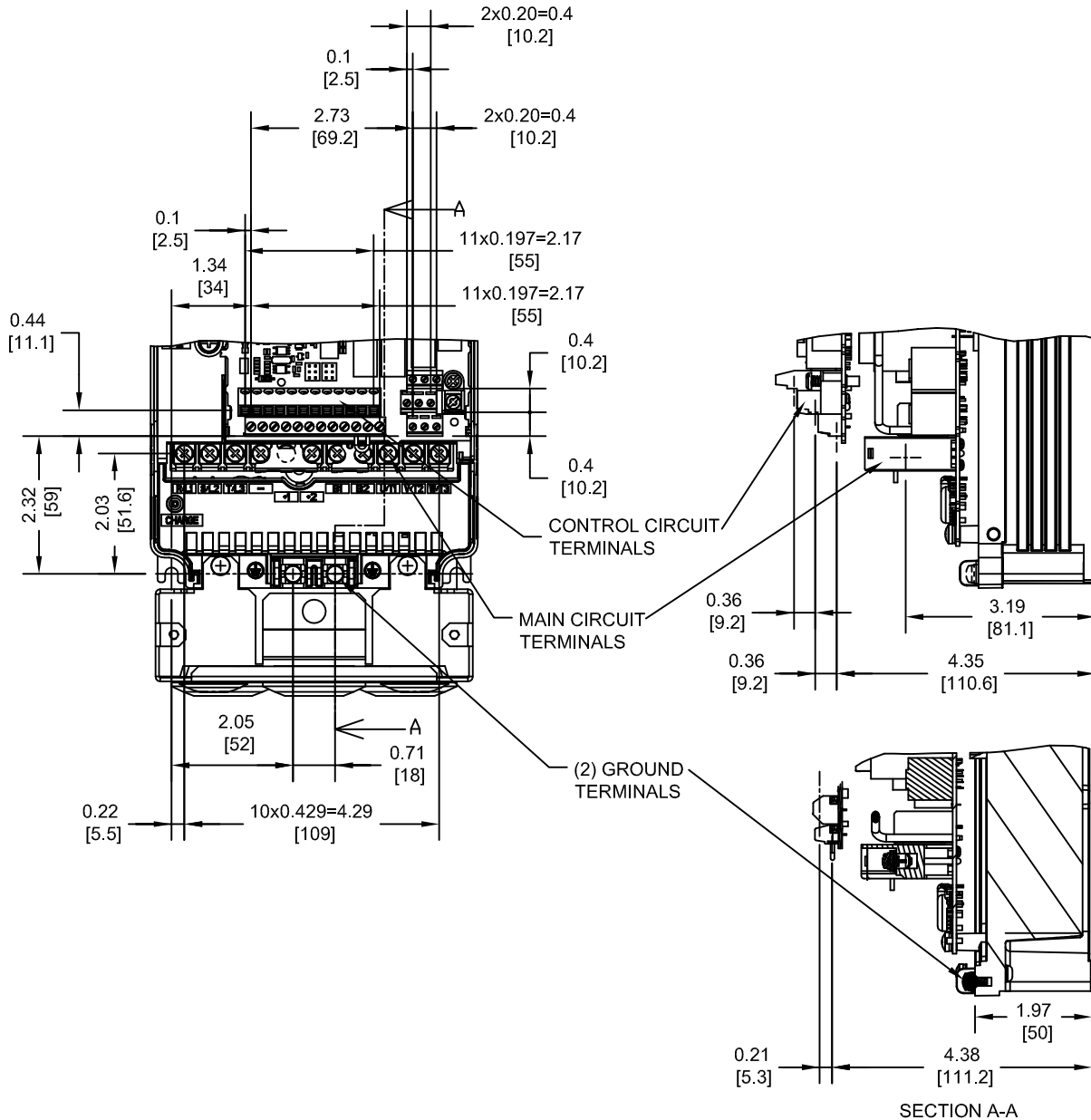
NOTE:
 XX DENOTES AA-ZZ

INT=INTERNAL COMPONENTS
 EXT=EXTERNAL HEATSINK
 TOT=TOTAL

FOR ADDITIONAL DETAILS AND SPECIFICATIONS, CONSULT MANUAL

TOLERANCES / REFERENCES:		<p>THIS DOCUMENT AND INFORMATION CONTAINED IN IT ARE CONFIDENTIAL, AND CANNOT BE COPIED OR DISCLOSED IN WHOLE OR IN PART WITHOUT THE EXPRESS WRITTEN CONSENT OF YASKAWA AMERICA, INC.</p>	DRAWN: J. MATTAS DATE: 1-31-14	TITLE: Z1000 600V DIMENSION DRAWING FRAME SIZE 1 NEMA TYPE 1 ENCLOSURE 5A0003, 5A0004	
UNITS: IN [mm]			CHECKED: J. PIOTROWSKI DATE: 2-21-14	SIZE: A	REVISION: R00
SCALE: 1:4			TECH: J. BORJA DATE: 2-24-14	PAGE: 1 of 3	
			APPROVED: J. CAIRO DATE: 2-26-14	DRAWING #: DD.Z1K6.FR1.N1	

TERMINAL AND WIRING DETAILS (SCALE 1:3)



TERMINAL AND WIRE SPECIFICATIONS FOR MAIN CIRCUIT AND GROUND

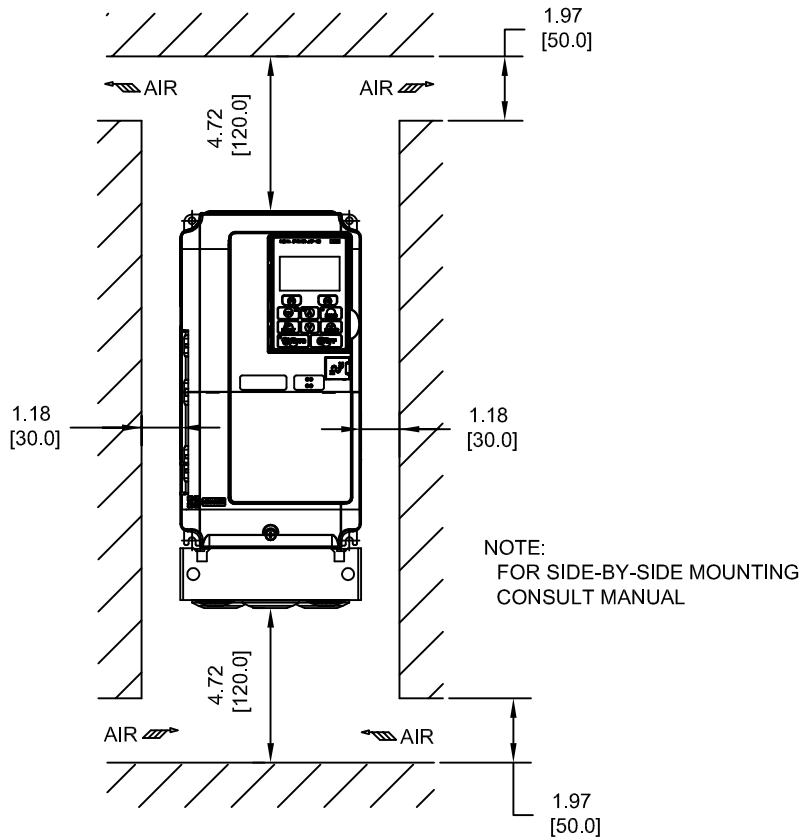
MODEL # CIMR-ZU	TERMINAL SYMBOL	TERMINAL SCREW	CLAMPING TORQUE lb.in.(N.m.)	WIRE RANGE AWG(mm ²)
5A0003 5A0004	R/L1, S/L2, T/L3, ⊖, ⊕1, ⊕2, B1, B2, U/T1, V/T2, W/T3, ⊕	M4	10.6 TO 13.2 (1.2 TO 1.5)	14-10 (2.5-6.0)

NOTE: REFER TO APPLICABLE CODES FOR PROPER WIRE TYPE AND SIZE

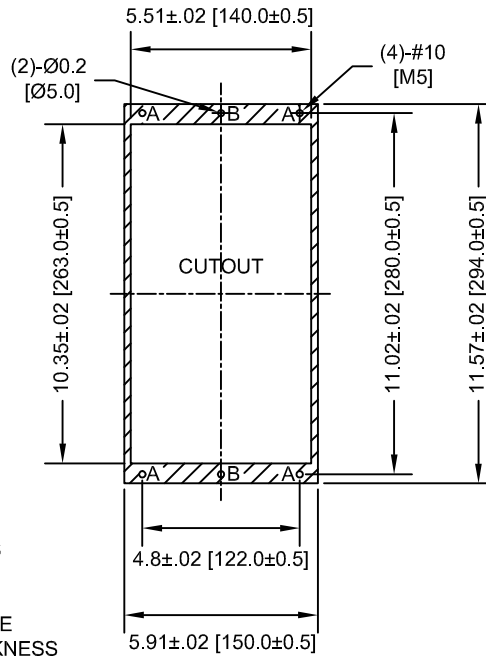
FOR ADDITIONAL DETAILS AND SPECIFICATIONS, CONSULT MANUAL

TOLERANCES / REFERENCES:		<p>THIS DOCUMENT AND INFORMATION CONTAINED IN IT ARE CONFIDENTIAL, AND CANNOT BE COPIED OR DISCLOSED IN WHOLE OR IN PART WITHOUT THE EXPRESS WRITTEN CONSENT OF YASKAWA AMERICA, INC.</p>	DRAWN: J. MATTAS DATE: 1-31-14	TITLE: Z1000 600V DIMENSION DRAWING FRAME SIZE 1 NEMA TYPE 1 ENCLOSURE 5A0003, 5A0004
			CHECKED: J. PIOTROWSKI DATE: 2-21-14	SIZE: A REVISION: R00 PAGE: 2 of 3
			TECH: J. BORJA DATE: 2-24-14	DRAWING #: DD.Z1K6.FR1.N1
UNITS: IN [mm]	SCALE: BY VIEW		APPROVED: J. CAIRO DATE: 2-26-14	ORIGINAL DESIGN: -

MINIMUM INSTALLATION CLEARANCES (SCALE 1:6)



PANEL CUTOUT FOR EXTERNAL HEATSINK MOUNTING CONFIGURATION (SCALE 1:6)



- NOTES:
- EXTERNAL HEATSINK CONFIGURATION REQUIRES MOUNTING KIT
 - EXPOSED HEATSINK RECOMMENDED CLEARANCE D=1.97" MINUS PANEL THICKNESS

FOR ADDITIONAL DETAILS AND SPECIFICATIONS, CONSULT MANUAL

TOLERANCES / REFERENCES:		<p>THIS DOCUMENT AND INFORMATION CONTAINED IN IT ARE CONFIDENTIAL, AND CANNOT BE COPIED OR DISCLOSED IN WHOLE OR IN PART WITHOUT THE EXPRESS WRITTEN CONSENT OF YASKAWA AMERICA, INC.</p>	DRAWN: J. MATTAS CHECKED: J. PIOTROWSKI TECH: J. BORJA APPROVED: J. CAIRO ORIGINAL DESIGN: -	DATE: 1-31-14 DATE: 2-21-14 DATE: 2-24-14 DATE: 2-26-14 DATE: -	TITLE: Z1000 600V DIMENSION DRAWING FRAME SIZE 1 NEMA TYPE 1 ENCLOSURE 5A0003, 5A0004
UNITS: IN[mm]	SCALE: BY VIEW		SIZE: A REVISION: R00 DRAWING #: DD.Z1K6.FR.1.N1	PAGE: 3 of 3	