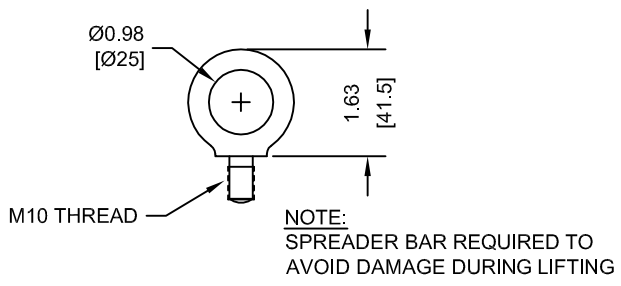
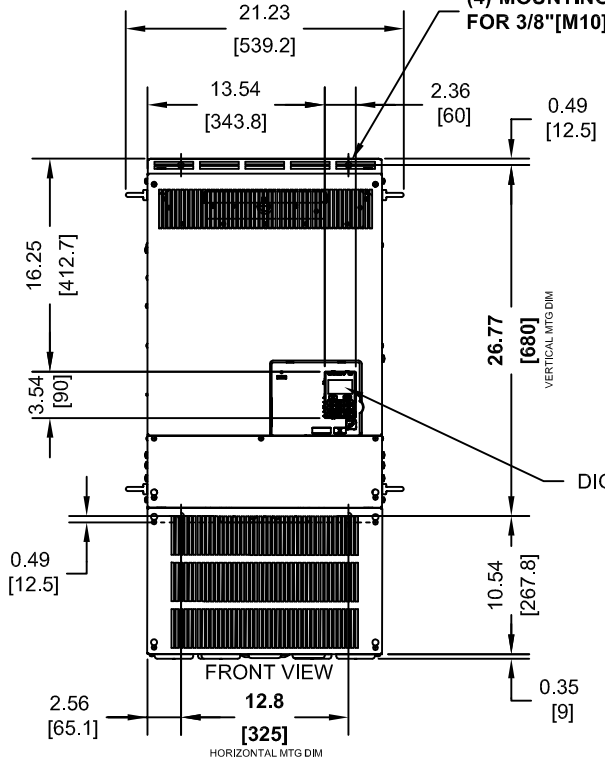


LIFTING AND EYEBOLT DETAILS

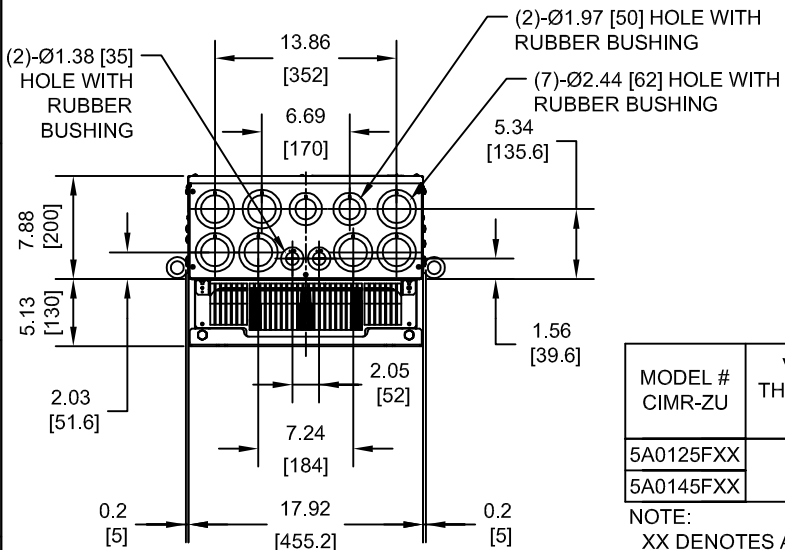
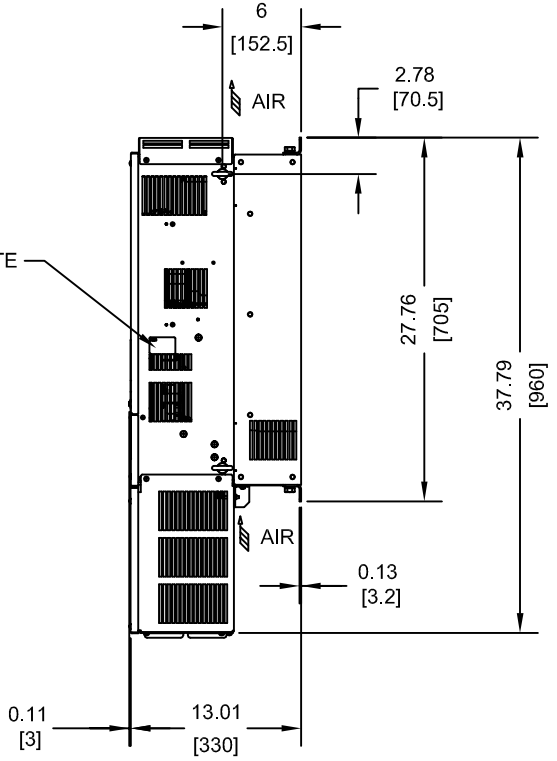


(4)-MOUNTING HOLES FOR 3/8" [M10] SCREWS



NAMEPLATE

DIGITAL OPERATOR



MODEL # CIMR-ZU	VOLTAGE THREE-PHASE (VAC)	OUTPUT CURRENT (A)	WEIGHT LBS (Kg)	HEAT LOSS (W) (Fc=2kHz)		
				INT	EXT	TOT
5A0125FXX	500/600	125	191 (87)	537	1641	2178
5A0145FXX		145	191 (87)	603	1860	2463

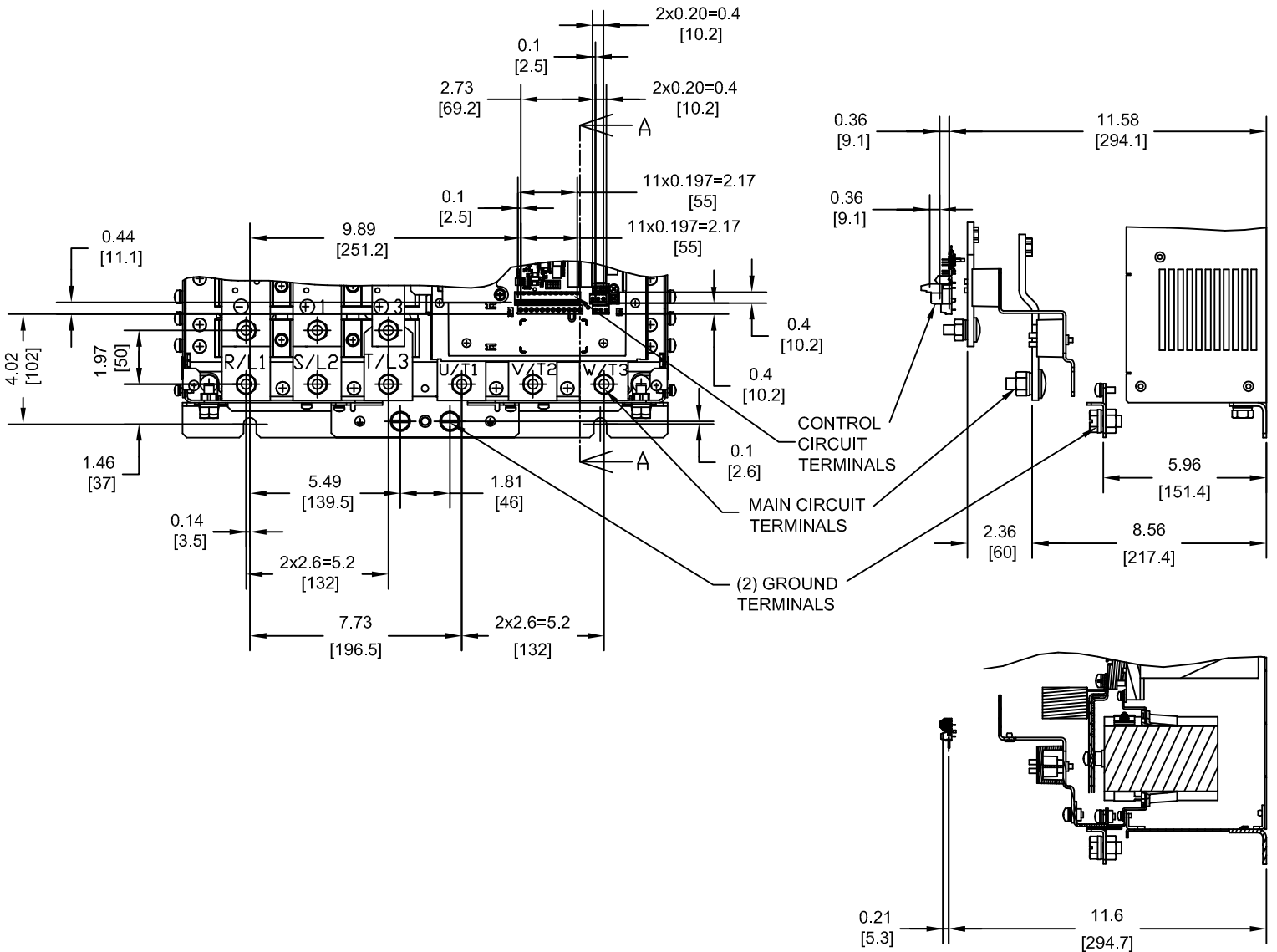
NOTE:
XX DENOTES AA-ZZ

INT=INTERNAL COMPONENTS
EXT=EXTERNAL HEATSINK
TOT=TOTAL

FOR ADDITIONAL DETAILS AND SPECIFICATIONS, CONSULT MANUAL

TOLERANCES / REFERENCES:		<p>THIS DOCUMENT AND INFORMATION CONTAINED IN IT ARE CONFIDENTIAL, AND CANNOT BE COPIED OR DISCLOSED IN WHOLE OR IN PART WITHOUT THE EXPRESS WRITTEN CONSENT OF YASKAWA AMERICA, INC.</p>	DRAWN: J. MATTAS DATE: 2-12-14	TITLE: Z1000 600V DIMENSION DRAWING FRAME SIZE 11 NEMA TYPE 1 ENCLOSURE 5A0125, 5A0145
UNITS: IN [mm]			CHECKED: J. PIOTROWSKI DATE: 2-21-14	SIZE: A REVISION: R00 PAGE: 1 of 3
SCALE: 1:15			TECH: J. BORJA DATE: 2-24-14	DRAWING #: DD.Z1K6.FR11.N1
			APPROVED: J. CAIRO DATE: 2-26-14	

TERMINAL AND WIRING DETAILS (SCALE 1:6)



SECTION A-A

TERMINAL AND WIRE SPECIFICATIONS FOR MAIN CIRCUIT AND GROUND

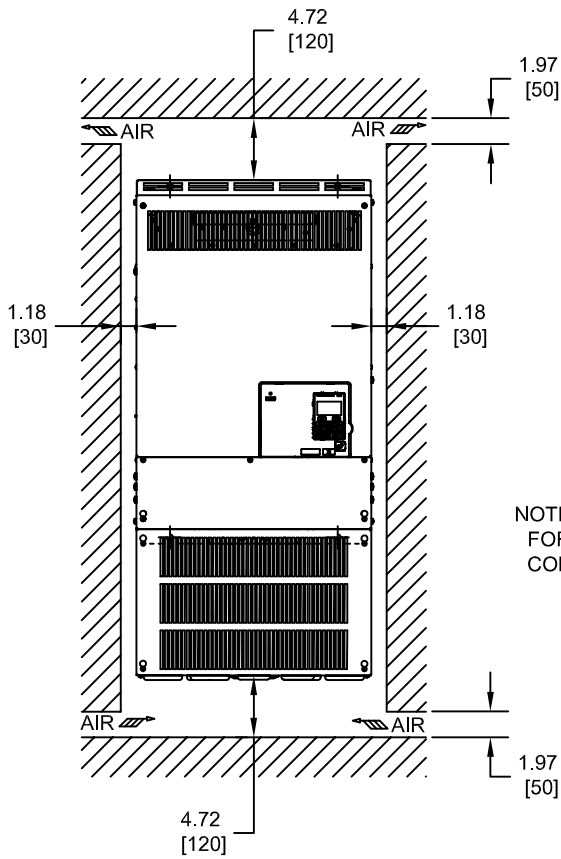
MODEL # CIMR-ZU	TERMINAL SYMBOL	TERMINAL SCREW	CLAMPING TORQUE lb.in.(N.m.)
5A0125 5A0145	R/L1, S/L2, T/L3	M10	159.3 TO 203.6 (18 TO 23)
	U/T1, V/T2, W/T3		
	⊖, ⊕1	M10	
	⊕3		
	⊕		

NOTE: REFER TO APPLICABLE CODES FOR PROPER WIRE TYPE AND SIZE

FOR ADDITIONAL DETAILS AND SPECIFICATIONS, CONSULT MANUAL

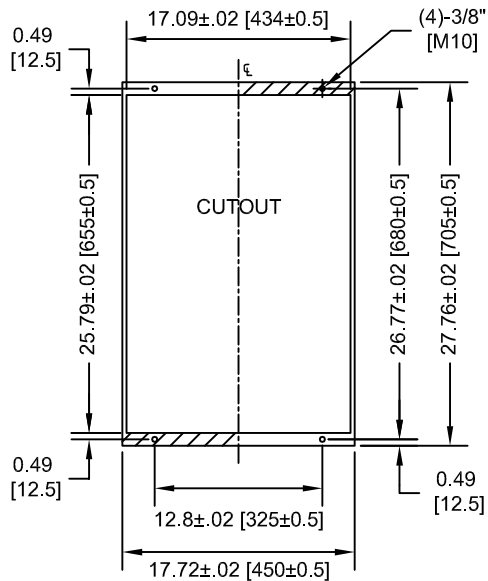
TOLERANCES / REFERENCES:			DRAWN: J. MATTAS DATE: 2-12-14	TITLE: Z1000 600V DIMENSION DRAWING FRAME SIZE 11 NEMA TYPE 1 ENCLOSURE 5A0125, 5A0145	
UNITS: IN [mm]			CHECKED: J. PIOTROWSKI DATE: 2-21-14	SIZE: A	REVISION: R00
SCALE: BY VIEW		THIS DOCUMENT AND INFORMATION CONTAINED IN IT ARE CONFIDENTIAL, AND CANNOT BE COPIED OR DISCLOSED IN WHOLE OR IN PART WITHOUT THE EXPRESS WRITTEN CONSENT OF YASKAWA AMERICA, INC.	TECH: J. BORJA DATE: 2-24-14	ORIGINAL DESIGN: -	DRAWING #: DD.Z1K6.FR11.N1
		APPROVED: J. CAIRO DATE: 2-26-14	DATE: -		

MINIMUM INSTALLATION CLEARANCES (SCALE 1:15)



NOTE:
FOR SIDE-BY-SIDE MOUNTING
CONSULT MANUAL

PANEL CUTOUT FOR EXTERNAL HEATSINK
MOUNTING CONFIGURATION (SCALE 1:15)



NOTE:
EXPOSED HEATSINK DEPTH
D=5.12" MINUS PANEL THICKNESS

FOR ADDITIONAL DETAILS AND SPECIFICATIONS, CONSULT MANUAL

TOLERANCES / REFERENCES:			DRAWN: J. MATTAS DATE: 2-12-14	TITLE: Z1000 600V DIMENSION DRAWING FRAME SIZE 11
			CHECKED: J. PIOTROWSKI DATE: 2-21-14	NEMA TYPE 1 ENCLOSURE 5A0125, 5A0145
		THIS DOCUMENT AND INFORMATION CONTAINED IN IT ARE CONFIDENTIAL, AND CANNOT BE COPIED OR DISCLOSED IN WHOLE OR IN PART WITHOUT THE EXPRESS WRITTEN CONSENT OF YASKAWA AMERICA, INC.	TECH: J. BORJA DATE: 2-24-14	SIZE: A
UNITS: IN [mm]	SCALE: BY VIEW		APPROVED: J. CAIRO DATE: 2-26-14	REVISION: R00
		ORIGINAL DESIGN: -	DATE: -	DRAWING #: DD.Z1K6.FR11.N1