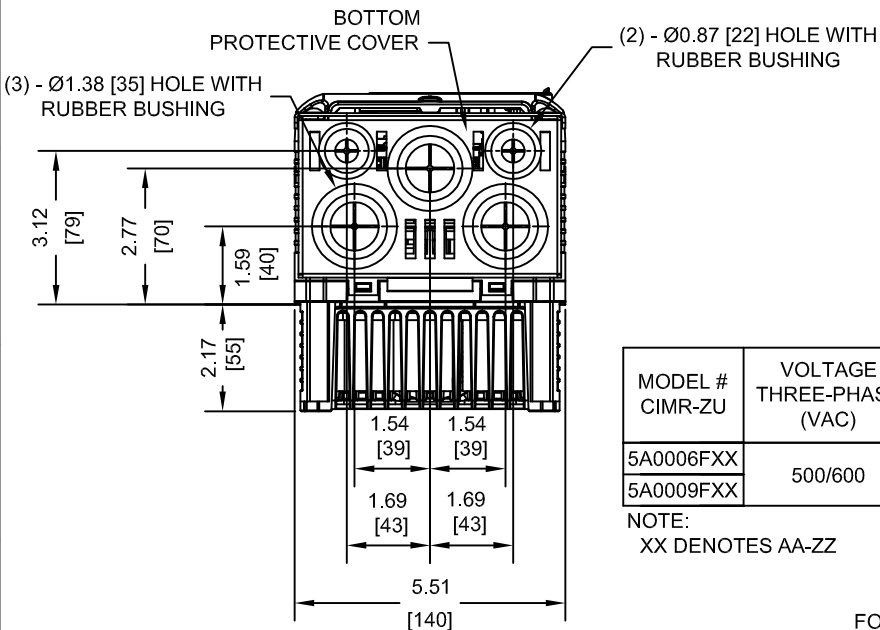
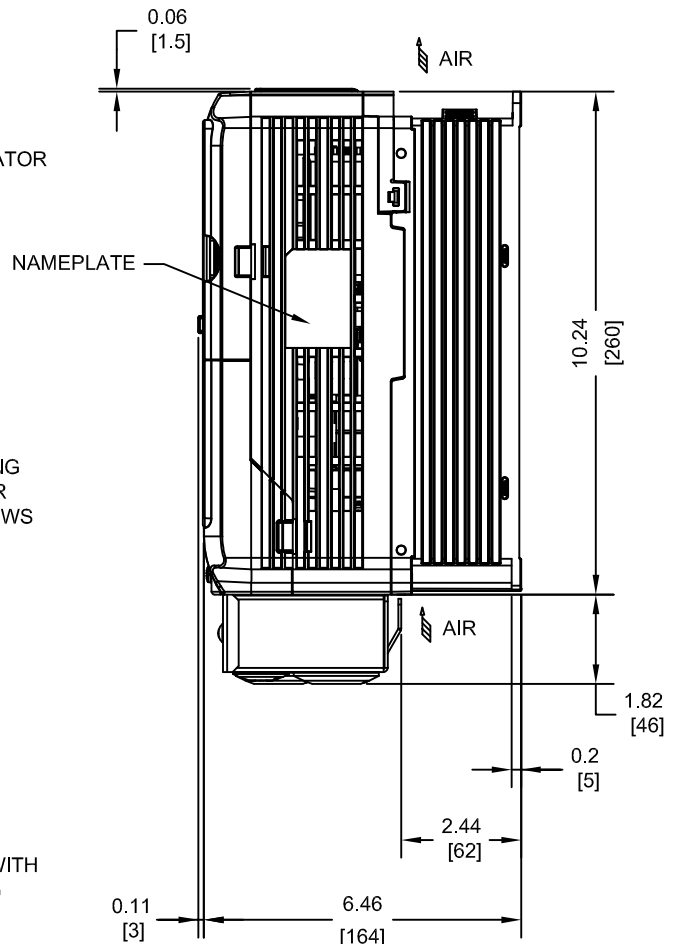
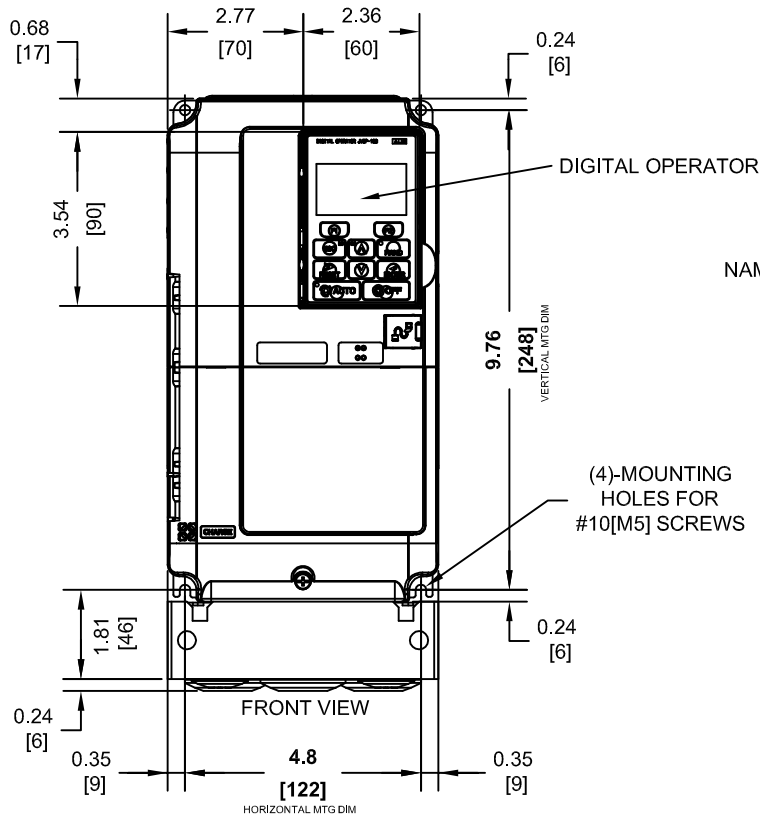


NOTE:
 PROTECTIVE COVERS ARE FACTORY INSTALLED TO THE TOP AND BOTTOM OF THE DRIVE TO MEET IP20 & NEMA TYPE 1 REQUIREMENTS, RESULTING IN AN AMBIENT TEMPERATURE RATING OF 104F(40C). REMOVE THESE COVERS WHEN OPERATING THE DRIVE WITHIN A PANEL TO OBTAIN THE MAXIMUM SURROUNDING AIR TEMPERATURE RATING OF 122F(50C). REMOVING THESE COVERS RESULTS IN AN ENCLOSURE RATING OF IP00.



MODEL # CIMR-ZU	VOLTAGE THREE-PHASE (VAC)	OUTPUT CURRENT (A)	WEIGHT LBS (Kg)	HEAT LOSS (W) (Fc=2kHz)		
				INT	EXT	TOT
5A0006FXX	500/600	6.1	8.1 (3.7)	43.7	28.1	71.8
5A0009FXX		9.0	8.1 (3.7)	68.9	43.4	112.3

NOTE:
 XX DENOTES AA-ZZ

INT=INTERNAL COMPONENTS
 EXT=EXTERNAL HEATSINK
 TOT=TOTAL

FOR ADDITIONAL DETAILS AND SPECIFICATIONS, CONSULT MANUAL

TOLERANCES / REFERENCES:



THIS DOCUMENT AND INFORMATION CONTAINED IN IT ARE CONFIDENTIAL, AND CANNOT BE COPIED OR DISCLOSED IN WHOLE OR IN PART WITHOUT THE EXPRESS WRITTEN CONSENT OF YASKAWA AMERICA, INC.

DRAWN: J. MATTAS	DATE 1-31-14
CHECKED: J. PIOTROWSKI	DATE 2-21-14
TECH: J. BORJA	DATE 2-24-14
APPROVED: J. CAIRO	DATE 2-26-14
ORIGINAL DESIGN:	DATE

TITLE:
 Z1000 600V DIMENSION DRAWING
 FRAME SIZE 2
 NEMA TYPE 1 ENCLOSURE
 5A0006, 5A0009

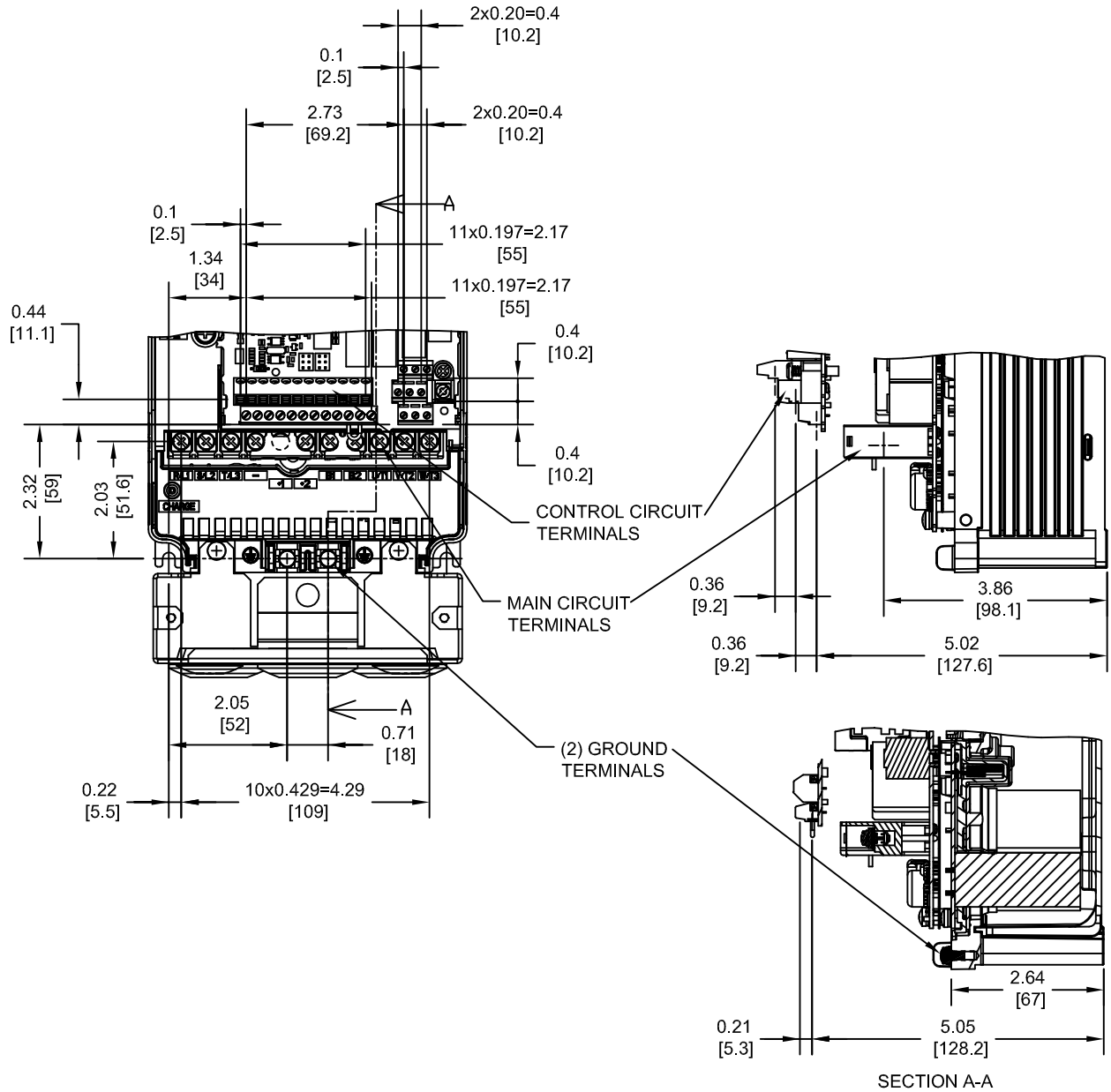
SIZE A	REVISION R00	PAGE 1 of 3
-----------	-----------------	----------------

DRAWING #:
DD.Z1K6.FR2.N1

UNITS:
IN [mm]

SCALE:
1:4

TERMINAL AND WIRING DETAILS (SCALE 1:3)



TERMINAL AND WIRE SPECIFICATIONS FOR
MAIN CIRCUIT AND GROUND

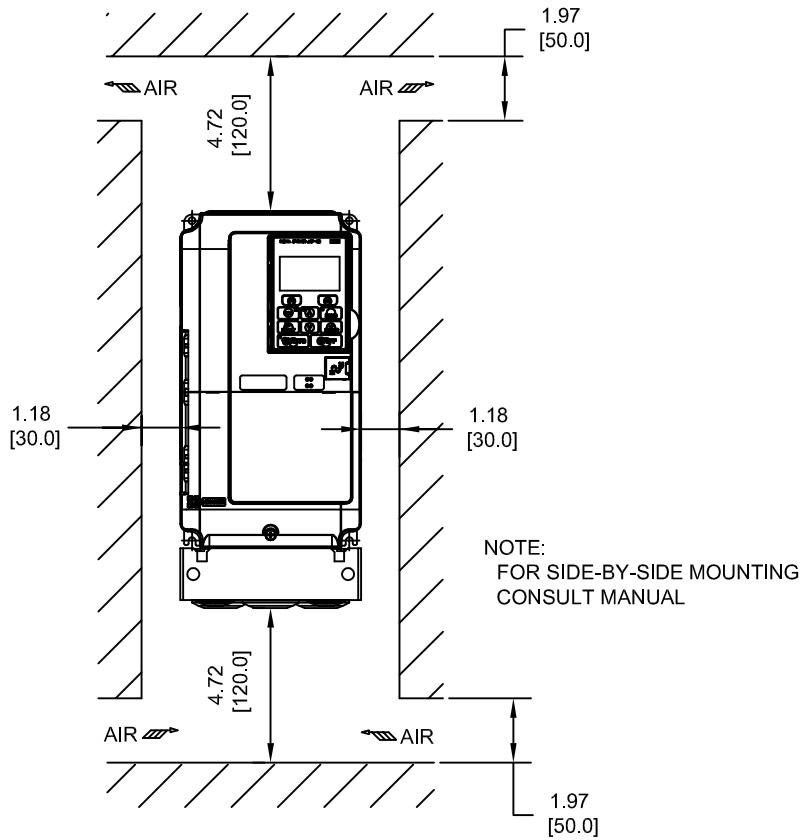
MODEL # CIMR-ZU	TERMINAL SYMBOL	TERMINAL SCREW	CLAMPING TORQUE lb.in.(N.m.)	WIRE RANGE AWG(mm ²)
5A0006 5A0009	R/L1, S/L2, T/L3, ⊖, ⊕1, ⊕2, B1, B2, U/T1, V/T2, W/T3, ⊕	M4	10.6 TO 13.2 (1.2 TO 1.5)	14-10 (2.5-6.0)

NOTE: REFER TO APPLICABLE CODES FOR PROPER WIRE TYPE AND SIZE

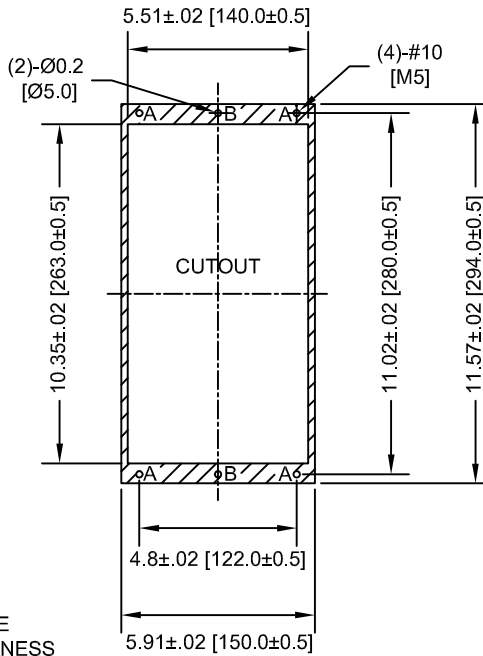
FOR ADDITIONAL DETAILS AND SPECIFICATIONS, CONSULT MANUAL

TOLERANCES / REFERENCES:		<p>THIS DOCUMENT AND INFORMATION CONTAINED IN IT ARE CONFIDENTIAL, AND CANNOT BE COPIED OR DISCLOSED IN WHOLE OR IN PART WITHOUT THE EXPRESS WRITTEN CONSENT OF YASKAWA AMERICA, INC.</p>	DRAWN: J. MATTAS DATE 1-31-14	TITLE: Z1000 600V DIMENSION DRAWING FRAME SIZE 2 NEMA TYPE 1 ENCLOSURE 5A0006, 5A0009		
			CHECKED: J. PIOTROWSKI DATE 2-21-14	TECH: J. BORJA DATE 2-24-14	SIZE A	REVISION R00
			APPROVED: J. CAIRO DATE 2-26-14	DATE 2-26-14	PAGE 2 of 3	
UNITS: IN [mm]	SCALE: BY VIEW		ORIGINAL DESIGN: -	DATE -	DRAWING #: DD.Z1K6.FR2.N1	

MINIMUM INSTALLATION CLEARANCES (SCALE 1:6)



PANEL CUTOUT FOR EXTERNAL HEATSINK MOUNTING CONFIGURATION (SCALE 1:6)



- NOTES:
- EXTERNAL HEATSINK CONFIGURATION REQUIRES MOUNTING KIT
 - EXPOSED HEATSINK RECOMMENDED CLEARANCE D=2.36" MINUS PANEL THICKNESS

FOR ADDITIONAL DETAILS AND SPECIFICATIONS, CONSULT MANUAL

TOLERANCES / REFERENCES:		<p>THIS DOCUMENT AND INFORMATION CONTAINED IN IT ARE CONFIDENTIAL, AND CANNOT BE COPIED OR DISCLOSED IN WHOLE OR IN PART WITHOUT THE EXPRESS WRITTEN CONSENT OF YASKAWA AMERICA, INC.</p>	DRAWN: J. MATTAS DATE: 1-31-14	TITLE: Z1000 600V DIMENSION DRAWING FRAME SIZE 2 NEMA TYPE 1 ENCLOSURE 5A0006, 5A0009
			CHECKED: J. PIOTROWSKI DATE: 2-21-14	SIZE: A REVISION: R00 PAGE: 3 of 3
			TECH: J. BORJA DATE: 2-24-14	DRAWING #: DD.Z1K6.FR2.N1
UNITS: IN [mm]	SCALE: BY VIEW		APPROVED: J. CAIRO DATE: 2-26-14	ORIGINAL DESIGN: -