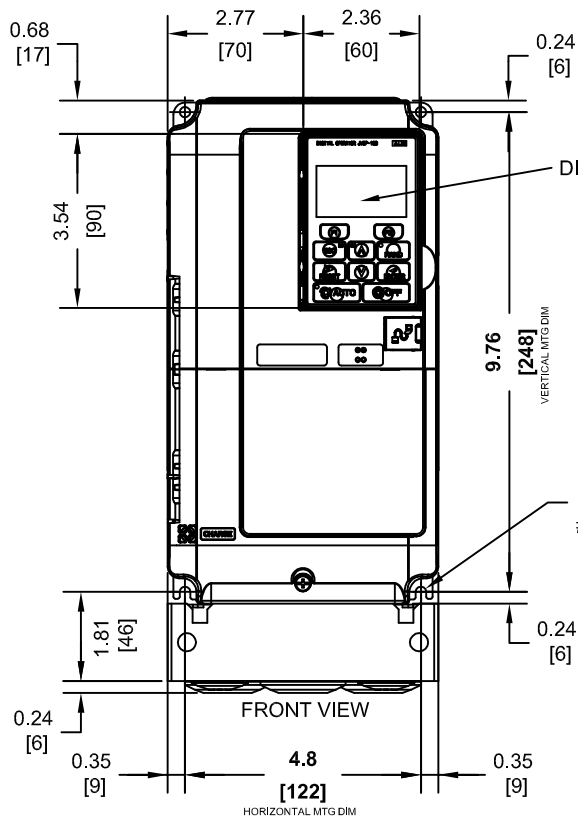


(2) EXTERNAL COOLING FANS

TOP PROTECTIVE COVER

NOTE:
 PROTECTIVE COVERS ARE FACTORY INSTALLED TO THE TOP AND BOTTOM OF THE DRIVE TO MEET IP20 & NEMA TYPE 1 REQUIREMENTS, RESULTING IN AN AMBIENT TEMPERATURE RATING OF 104F(40C). REMOVE THESE COVERS WHEN OPERATING THE DRIVE WITHIN A PANEL TO OBTAIN THE MAXIMUM SURROUNDING AIR TEMPERATURE RATING OF 122F(50C). REMOVING THESE COVERS RESULTS IN AN ENCLOSURE RATING OF IP00.



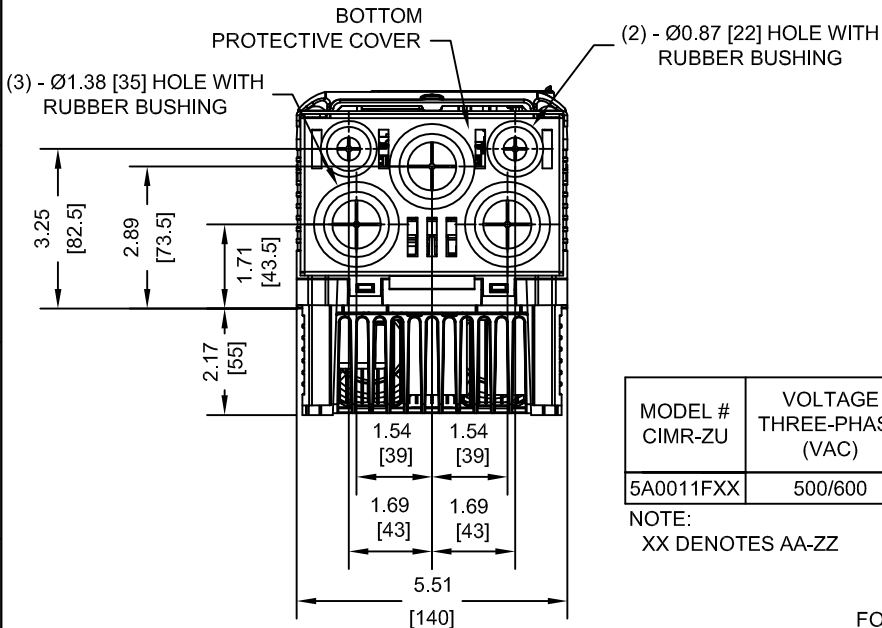
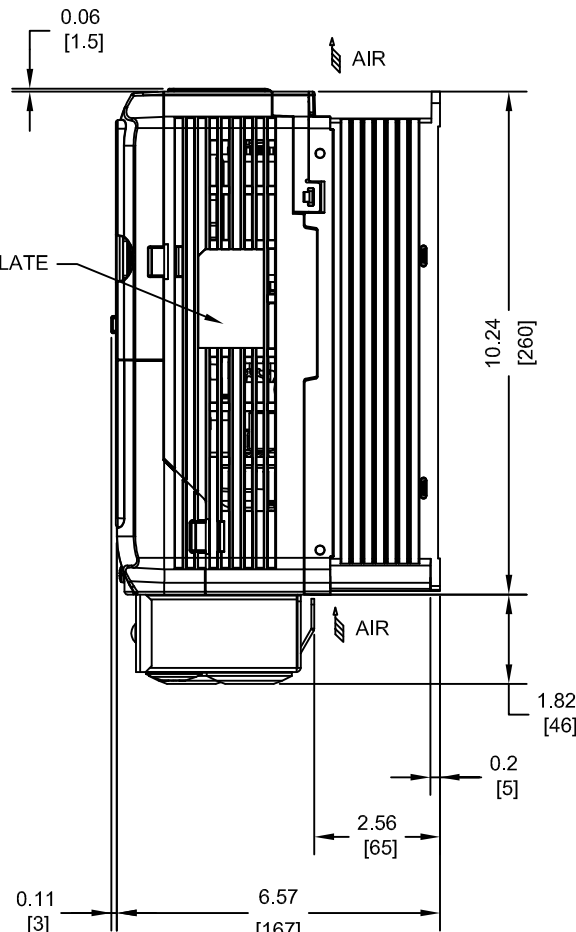
DIGITAL OPERATOR

(4)-MOUNTING HOLES FOR #10[M5] SCREWS

FRONT VIEW

HORIZONTAL MTG DIM

NAMEPLATE



(3) - Ø1.38 [35] HOLE WITH RUBBER BUSHING

BOTTOM PROTECTIVE COVER

(2) - Ø0.87 [22] HOLE WITH RUBBER BUSHING

MODEL # CIMR-ZU	VOLTAGE THREE-PHASE (VAC)	OUTPUT CURRENT (A)	WEIGHT LBS (Kg)	HEAT LOSS (W) (Fc=2kHz)		
				INT	EXT	TOT
5A0011FXX	500/600	11.0	9.0 (4.1)	88.0	56.1	144.0

NOTE:
 XX DENOTES AA-ZZ

INT=INTERNAL COMPONENTS
 EXT=EXTERNAL HEATSINK
 TOT=TOTAL

FOR ADDITIONAL DETAILS AND SPECIFICATIONS, CONSULT MANUAL

TOLERANCES / REFERENCES:



THIS DOCUMENT AND INFORMATION CONTAINED IN IT ARE CONFIDENTIAL, AND CANNOT BE COPIED OR DISCLOSED IN WHOLE OR IN PART WITHOUT THE EXPRESS WRITTEN CONSENT OF YASKAWA AMERICA, INC.

DRAWN: J. MATTAS

DATE: 1-31-14

CHECKED: J. PIOTROWSKI

DATE: 2-21-14

TECH: J. BORJA

DATE: 2-24-14

APPROVED: J. CAIRO

DATE: 2-26-14

ORIGINAL DESIGN: -

DATE: -

TITLE:
 Z1000 600V DIMENSION
 FRAME SIZE 3
 NEMA TYPE 1 ENCLOSURE
 5A0011

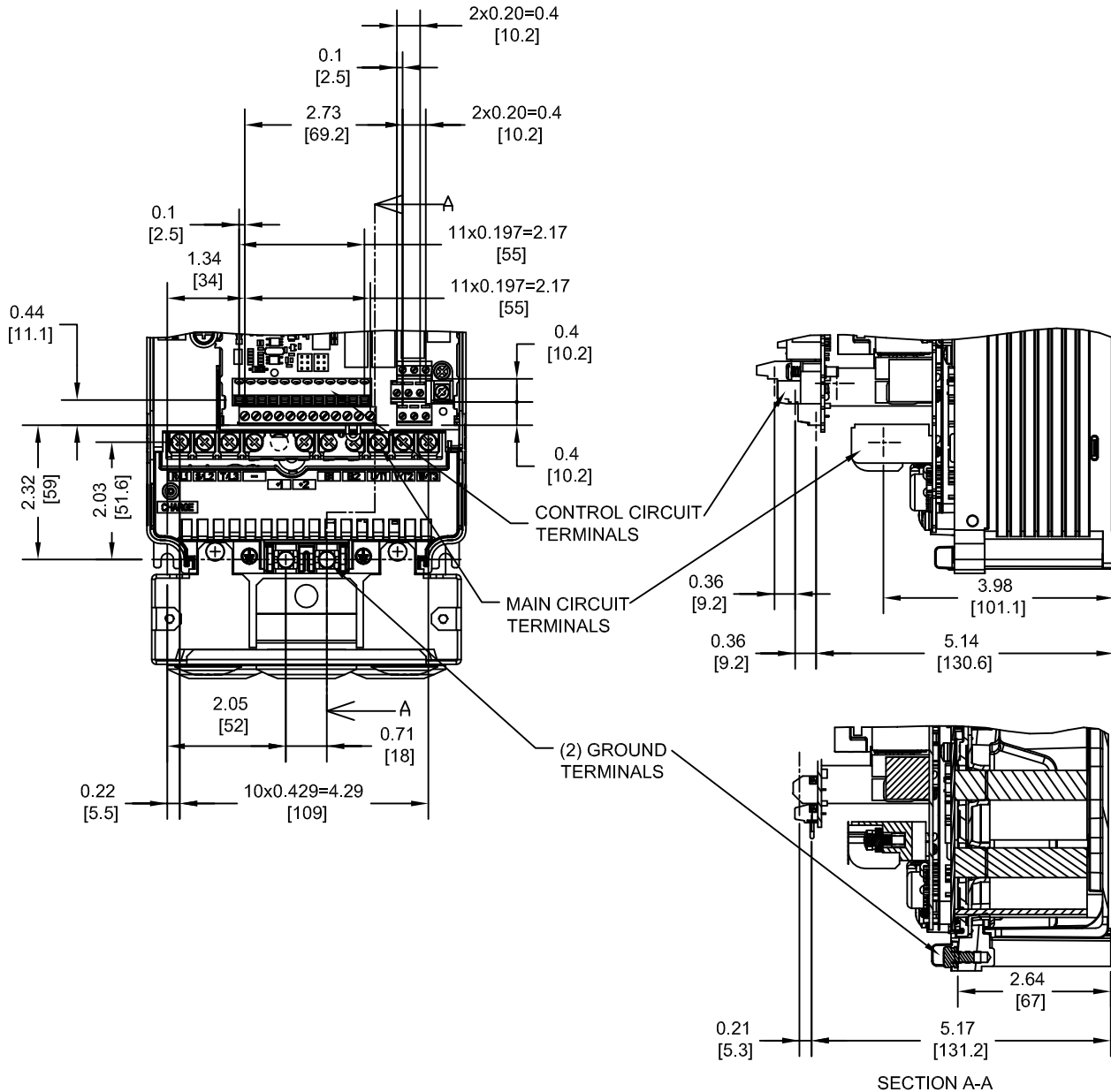
SIZE: A REVISION: R00 PAGE: 1 of 3

DRAWING #: DD.Z1K6.FR3.N1

UNITS: IN[mm]

SCALE: 1:4

TERMINAL AND WIRING DETAILS (SCALE 1:3)



TERMINAL AND WIRE SPECIFICATIONS FOR MAIN CIRCUIT AND GROUND

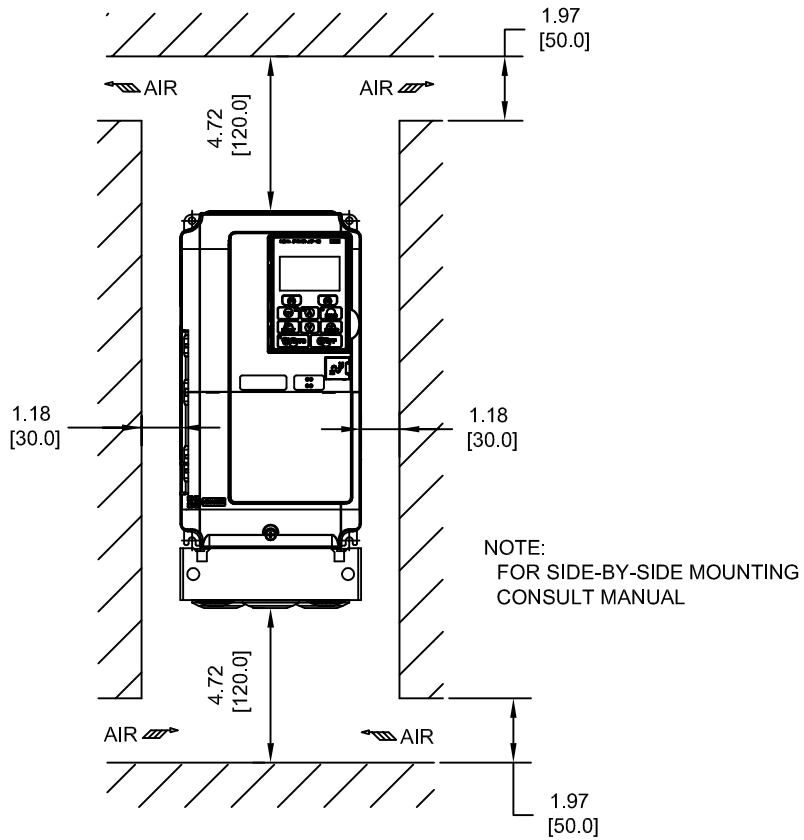
MODEL # CIMR-ZU	TERMINAL SYMBOL	TERMINAL SCREW	CLAMPING TORQUE lb.in.(N.m.)	WIRE RANGE AWG(mm ²)
5A0011	R/L1, S/L2, T/L3, U/T1, V/T2, W/T3,	M4	20.4 (2.3)	10-6 (6.0-16)
	⊖, ⊕1, ⊕2,			12-6 (4.0-16)
	B1, B2			12-10 (4.0-6.0)
	⊕	M5	17.7 TO 22.1 (2 TO 2.5)	12-10 (4.0-6.0)

NOTE: REFER TO APPLICABLE CODES FOR PROPER WIRE TYPE AND SIZE

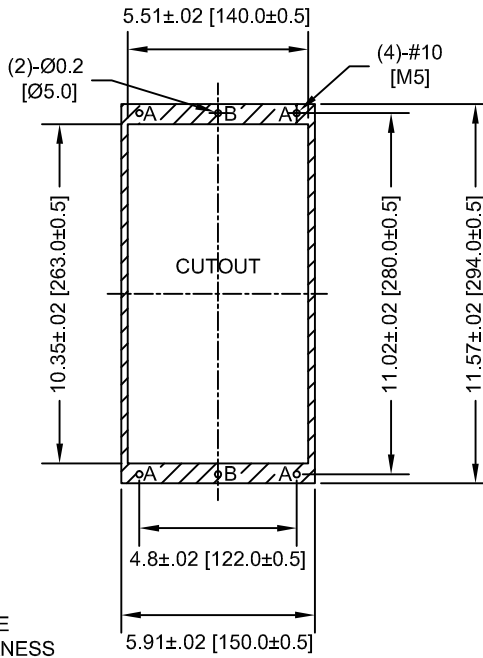
FOR ADDITIONAL DETAILS AND SPECIFICATIONS, CONSULT MANUAL

TOLERANCES / REFERENCES:			DRAWN: J. MATTAS DATE: 1-31-14	TITLE: Z1000 600V DIMENSION DRAWING FRAME SIZE 3 NEMA TYPE 1 ENCLOSURE 5A0011
UNITS: IN [mm] SCALE: BY VIEW			CHECKED: J. PIOTROWSKI DATE: 2-21-14	SIZE: A REVISION: R00 PAGE: 2 of 3
THIS DOCUMENT AND INFORMATION CONTAINED IN IT ARE CONFIDENTIAL, AND CANNOT BE COPIED OR DISCLOSED IN WHOLE OR IN PART WITHOUT THE EXPRESS WRITTEN CONSENT OF YASKAWA AMERICA, INC.		TECH: J. BORJA DATE: 2-24-14	APPROVED: J. CAIRO DATE: 2-26-14	DRAWING #: DD.Z1K6.FR3.N1

MINIMUM INSTALLATION CLEARANCES (SCALE 1:6)



PANEL CUTOUT FOR EXTERNAL HEATSINK MOUNTING CONFIGURATION (SCALE 1:6)



- NOTES:
- EXTERNAL HEATSINK CONFIGURATION REQUIRES MOUNTING KIT
 - EXPOSED HEATSINK RECOMMENDED CLEARANCE D=2.36" MINUS PANEL THICKNESS

FOR ADDITIONAL DETAILS AND SPECIFICATIONS, CONSULT MANUAL

TOLERANCES / REFERENCES:		<p>THIS DOCUMENT AND INFORMATION CONTAINED IN IT ARE CONFIDENTIAL, AND CANNOT BE COPIED OR DISCLOSED IN WHOLE OR IN PART WITHOUT THE EXPRESS WRITTEN CONSENT OF YASKAWA AMERICA, INC.</p>	DRAWN: J. MATTAS DATE: 1-31-14	DATE: 1-31-14	TITLE: Z1000 600V DIMENSION DRAWING FRAME SIZE 3 NEMA TYPE 1 ENCLOSURE 5A0011
			CHECKED: J. PIOTROWSKI DATE: 2-21-14	DATE: 2-21-14	
			TECH: J. BORJA DATE: 2-24-14	DATE: 2-24-14	
			APPROVED: J. CAIRO DATE: 2-26-14	DATE: 2-26-14	
UNITS: IN [mm]	SCALE: BY VIEW	ORIGINAL DESIGN:			DRAWING #: DD.Z1K6.FR3.N1
			SIZE: A	REVISION: R00	PAGE: 3 of 3