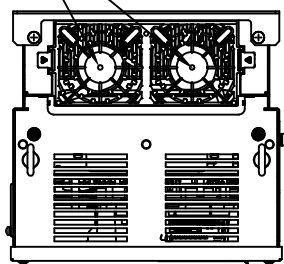
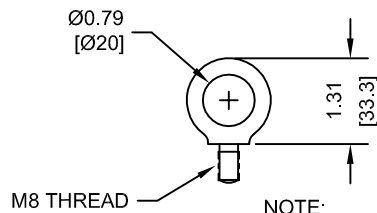


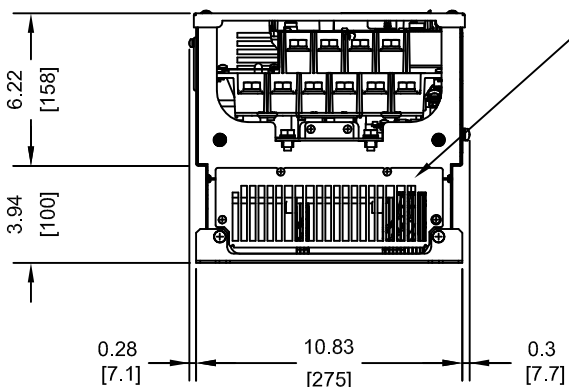
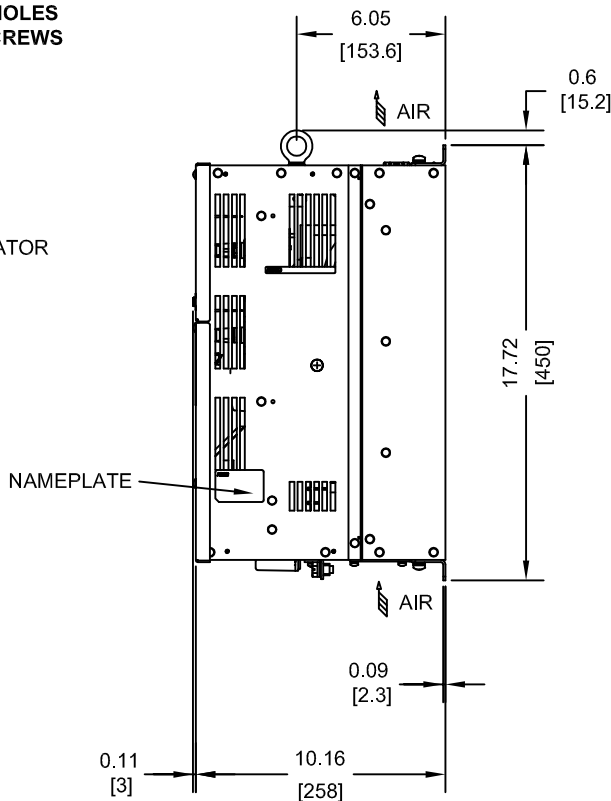
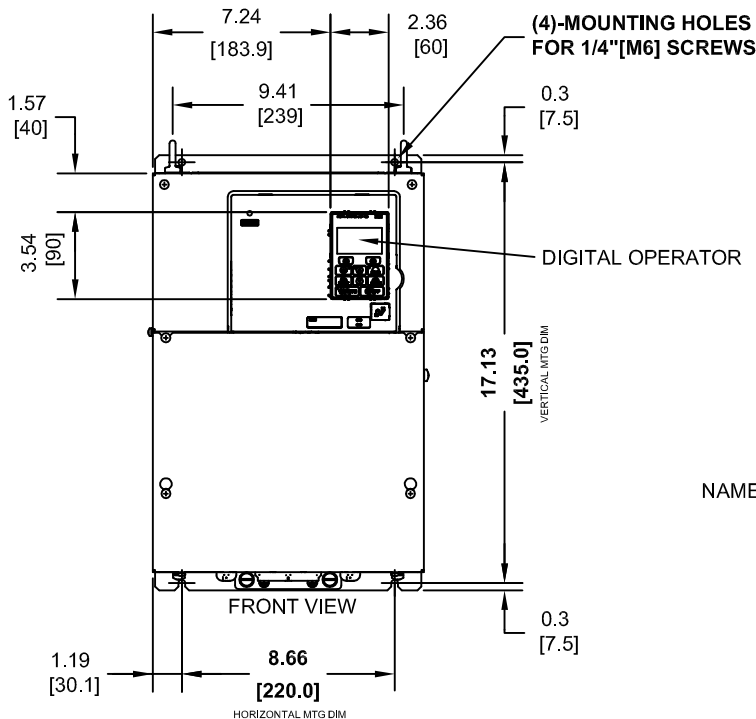
(2) EXTERNAL COOLING FANS



LIFTING AND EYEBOLT DETAILS



NOTE:
SPREADER BAR REQUIRED TO AVOID DAMAGE DURING LIFTING



OPTIONAL CAPACITOR COVER
WHEN USING AN EXTERNAL MOUNT HEATSINK, UL COMPLIANCE REQUIRES COVERING EXPOSED CAPACITORS IN THE MAIN CIRCUIT TO PREVENT INJURY. CONSULT MANUAL FOR DETAILS.

MODEL # CIMR-ZU	VOLTAGE THREE-PHASE (VAC)	OUTPUT CURRENT (A)	WEIGHT LBS (Kg)	HEAT LOSS (W) (Fc=2kHz)		
				INT	EXT	TOT
5A0041AXX	500/600	41	55.0 (25)	136	331	467
5A0052AXX		52	55.0 (25)	166	428	594

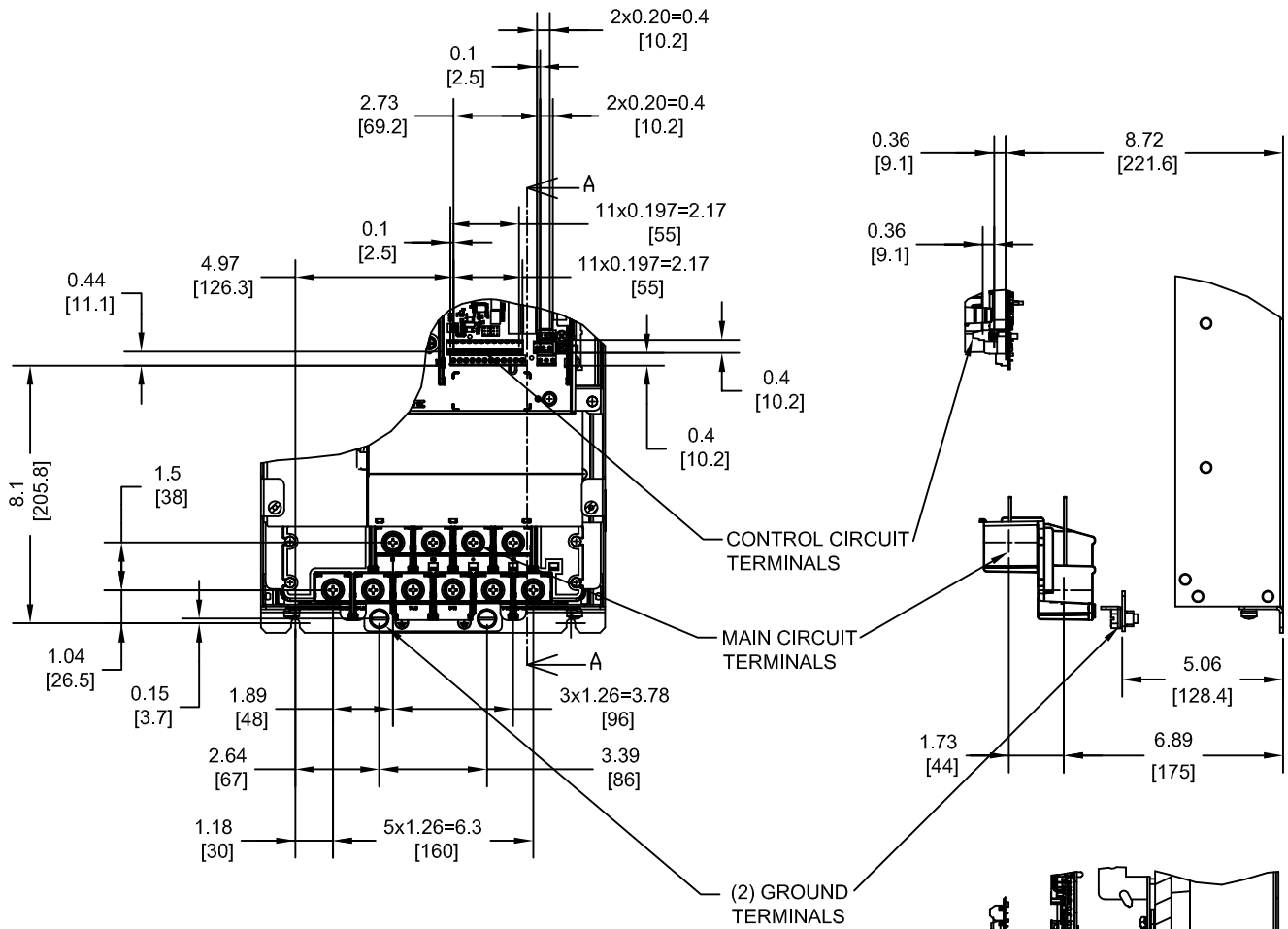
NOTE:
XX DENOTES AA-ZZ

INT=INTERNAL COMPONENTS
EXT=EXTERNAL HEATSINK
TOT=TOTAL

FOR ADDITIONAL DETAILS AND SPECIFICATIONS, CONSULT MANUAL

TOLERANCES / REFERENCES:		<p>THIS DOCUMENT AND INFORMATION CONTAINED IN IT ARE CONFIDENTIAL, AND CANNOT BE COPIED OR DISCLOSED IN WHOLE OR IN PART WITHOUT THE EXPRESS WRITTEN CONSENT OF YASKAWA AMERICA, INC.</p>	DRAWN: J. MATTAS DATE: 2-4-14	TITLE: Z1000 600V DIMENSION DRAWING FRAME SIZE 8 IP00 ENCLOSURE 5A0041, 5A0052
UNITS: IN [mm]	SCALE: 1:8		CHECKED: J. PIOTROWSKI DATE: 2-21-14	TECH: J. BORJA DATE: 2-24-14
		APPROVED: J. CAIRO DATE: 2-26-14	DATE: 2-26-14	SIZE: A REVISION: R00 PAGE: 1 of 3
		ORIGINAL DESIGN: -	DATE: -	DRAWING #: DD.Z1K6.FR8.IP00

TERMINAL AND WIRING DETAILS (SCALE 1:6)



TERMINAL AND WIRE SPECIFICATIONS FOR MAIN CIRCUIT AND GROUND

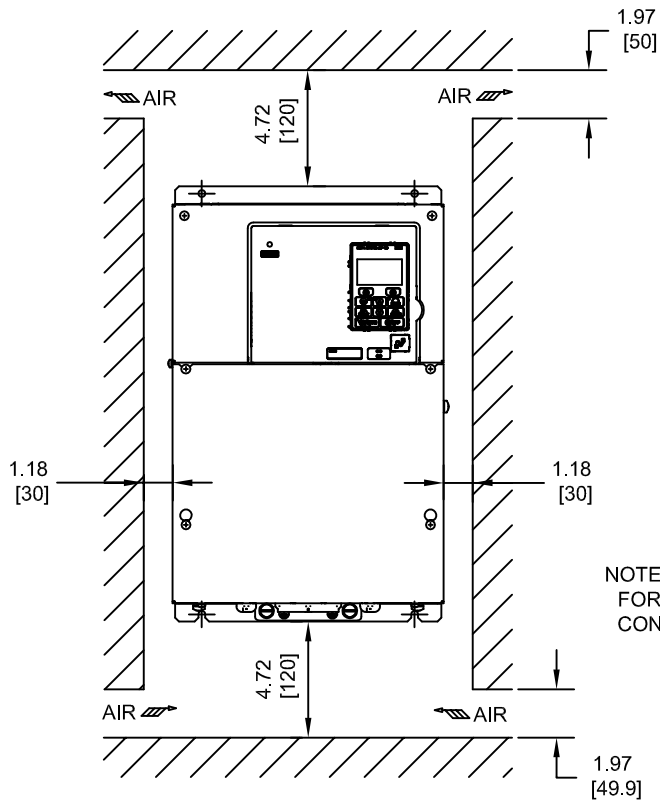
MODEL # CIMR-ZU	TERMINAL SYMBOL	TERMINAL SCREW	CLAMPING TORQUE lb.in.(N.m.)	WIRE RANGE AWG(mm ²)
5A0041 5A0052	R/L1, S/L2, T/L3	M8	79.7 TO 97.4 (9 TO 11)	10-3/0 (5.3-85.0)
	U/T1, V/T2, W/T3			
	⊖, ⊕1			
	B1, B2	M8	79.7 TO 97.4 (9 TO 11)	SEE NOTE
⊕				

NOTE: REFER TO APPLICABLE CODES FOR PROPER WIRE TYPE AND SIZE

FOR ADDITIONAL DETAILS AND SPECIFICATIONS, CONSULT MANUAL

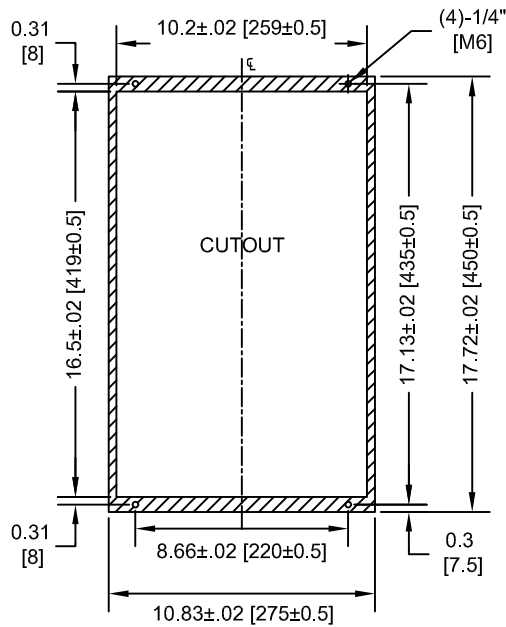
TOLERANCES / REFERENCES:			DRAWN: J. MATTAS DATE: 2-4-14	TITLE: Z1000 600V DIMENSION FRAME SIZE 8 IP00 ENCLOSURE 5A0041, 5A0052	
UNITS: IN [mm]			CHECKED: J. PIOTROWSKI DATE: 2-21-14	SIZE A	REVISION R00
SCALE: BY VIEW		THIS DOCUMENT AND INFORMATION CONTAINED IN IT ARE CONFIDENTIAL, AND CANNOT BE COPIED OR DISCLOSED IN WHOLE OR IN PART WITHOUT THE EXPRESS WRITTEN CONSENT OF YASKAWA AMERICA, INC.	TECH: J. BORJA DATE: 2-24-14	DRAWING #: DD.Z1K6.FR8.IP00	
		APPROVED: J. CAIRO DATE: 2-26-14	ORIGINAL DESIGN: -		

MINIMUM INSTALLATION CLEARANCES (SCALE 1:8)



NOTE:
FOR SIDE-BY-SIDE MOUNTING
CONSULT MANUAL

PANEL CUTOUT FOR EXTERNAL HEATSINK
MOUNTING CONFIGURATION (SCALE 1:8)



NOTE:
EXPOSED HEATSINK DEPTH
D=3.94" MINUS PANEL THICKNESS

FOR ADDITIONAL DETAILS AND SPECIFICATIONS, CONSULT MANUAL

TOLERANCES / REFERENCES:			DRAWN: J. MATTAS	DATE 2-4-14	TITLE: Z1000 600V DIMENSION DRAWING FRAME SIZE 8 IP00 ENCLOSURE 5A0041, 5A0052		
			CHECKED: J. PIOTROWSKI	DATE 2-21-14	SIZE A	REVISION R00	PAGE 3 of 3
		THIS DOCUMENT AND INFORMATION CONTAINED IN IT ARE CONFIDENTIAL, AND CANNOT BE COPIED OR DISCLOSED IN WHOLE OR IN PART WITHOUT THE EXPRESS WRITTEN CONSENT OF YASKAWA AMERICA, INC.			TECH: J. BORJA	DATE 2-24-14	
					APPROVED: J. CAIRO	DATE 2-26-14	
UNITS: IN [mm]	SCALE: BY VIEW	ORIGINAL DESIGN: -			DATE -	DRAWING #: DD.Z1K6.FR8.IP00	