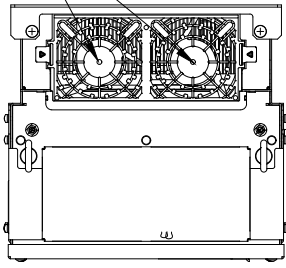
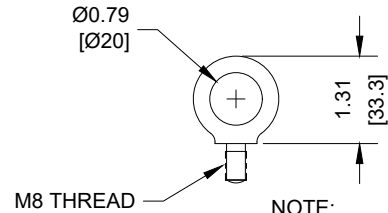


(2) EXTERNAL COOLING FANS

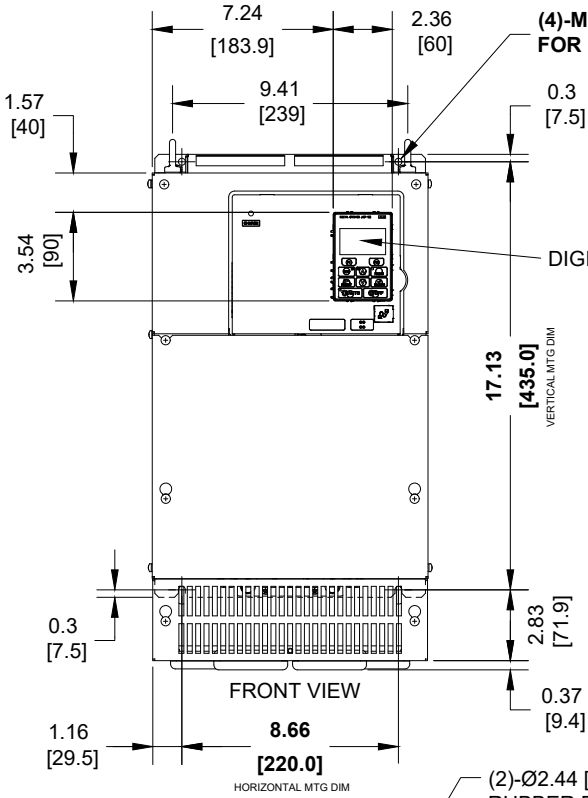


LIFTING AND EYEBOLT DETAILS



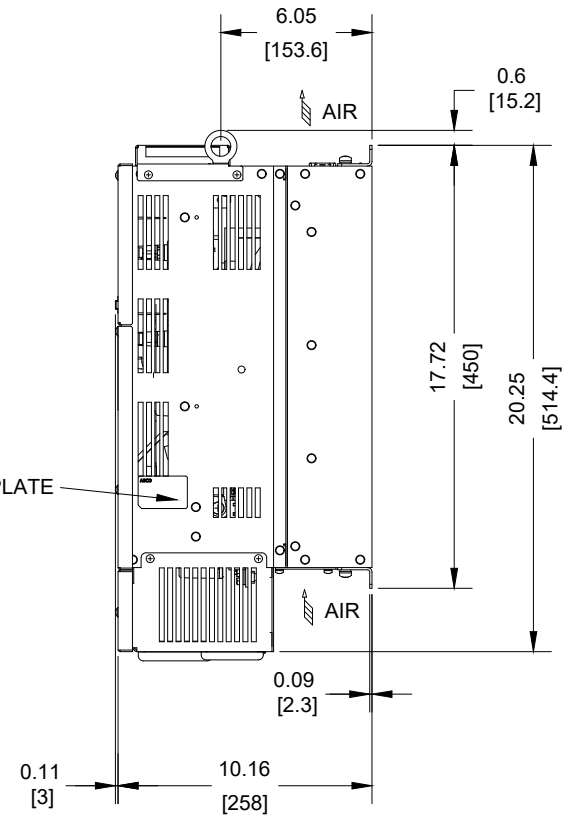
NOTE:
SPREADER BAR REQUIRED TO
AVOID DAMAGE DURING LIFTING

(4)-MOUNTING HOLES
FOR 1/4" [M6] SCREWS



DIGITAL OPERATOR

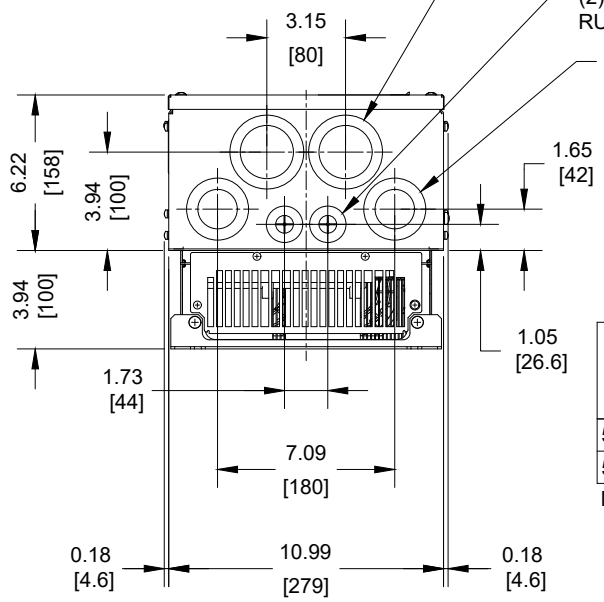
NAMEPLATE



(2)-Ø2.44 [62] HOLE WITH RUBBER BUSHING

(2)-Ø1.10 [28] HOLE WITH RUBBER BUSHING

(2)-Ø1.97 [50] HOLE WITH RUBBER BUSHING



MODEL # CIMR-ZU	VOLTAGE THREE-PHASE (VAC)	OUTPUT CURRENT (A)	WEIGHT LBS (Kg)	HEAT LOSS (W) (Fc=2kHz)		
				INT	EXT	TOT
5A0041FXX	500/600	41	59.4 (27)	136	331	467
5A0052FXX		52	59.4 (27)	166	428	594

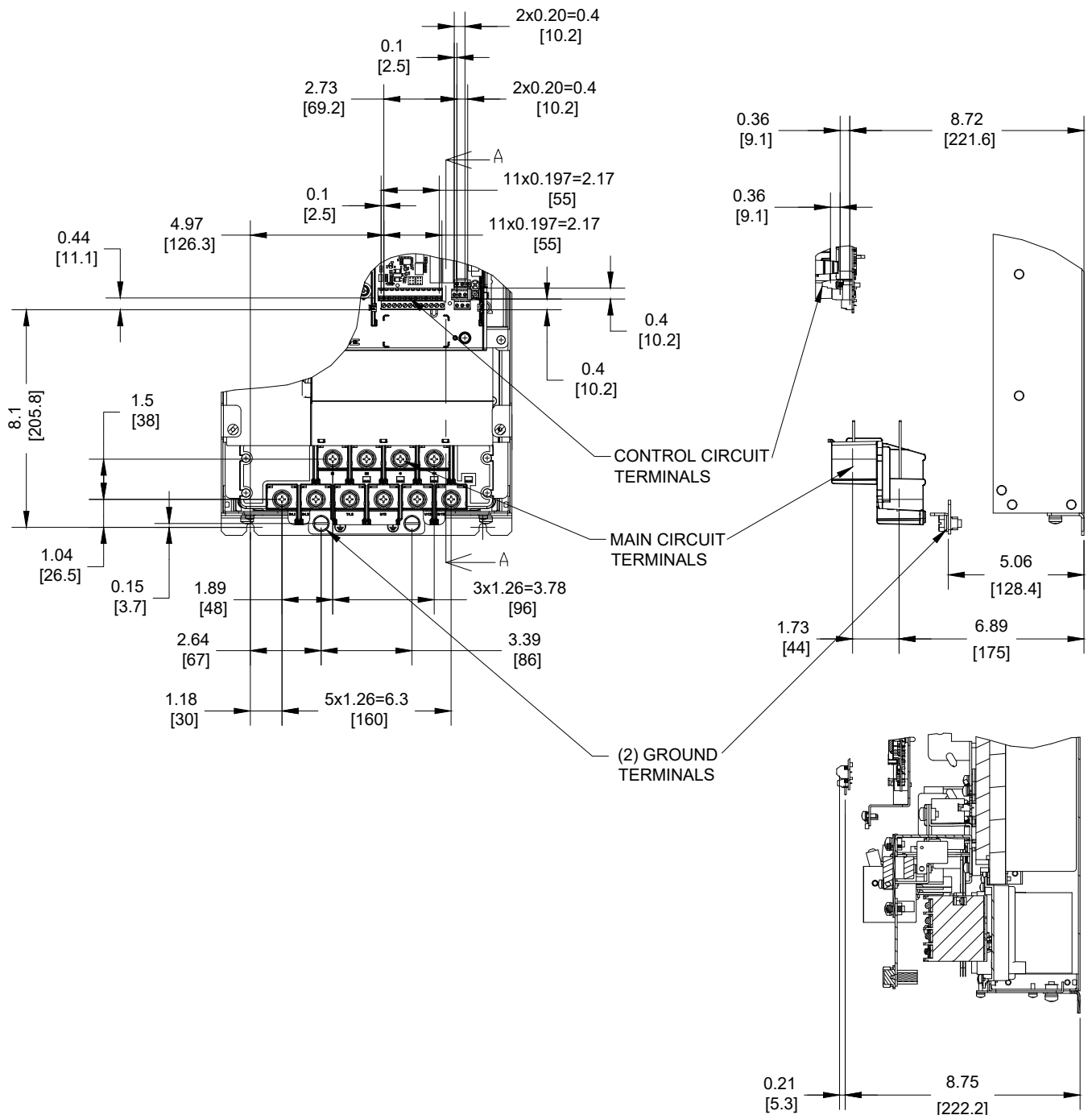
NOTE:
XX DENOTES AA-ZZ

INT=INTERNAL COMPONENTS
EXT=EXTERNAL HEATSINK
TOT=TOTAL

FOR ADDITIONAL DETAILS AND SPECIFICATIONS, CONSULT MANUAL

TOLERANCES / REFERENCES:			DRAWN: J. MATTAS DATE: 2-12-14	TITLE: Z1000 600V DIMENSION DRAWING FRAME SIZE 8 NEMA TYPE 1 ENCLOSURE 5A0041, 5A0052		
UNITS: IN [mm]	SCALE: 1:8		CHECKED: J. PIOTROWSKI DATE: 2-21-14	TECH: J. BORJA DATE: 2-24-14	SIZE A	REVISION R02
		THIS DOCUMENT AND INFORMATION CONTAINED IN IT ARE CONFIDENTIAL, AND CANNOT BE COPIED OR DISCLOSED IN WHOLE OR IN PART WITHOUT THE EXPRESS WRITTEN CONSENT OF YASKAWA AMERICA, INC.	APPROVED: J. CAIRO DATE: 2-26-14	DRAWING #: DD.Z1K6.FR8.N1		
		ORIGINAL DESIGN: -	DATE: -			

TERMINAL AND WIRING DETAILS (SCALE 1:6)



TERMINAL AND WIRE SPECIFICATIONS FOR MAIN CIRCUIT AND GROUND

SECTION A-A

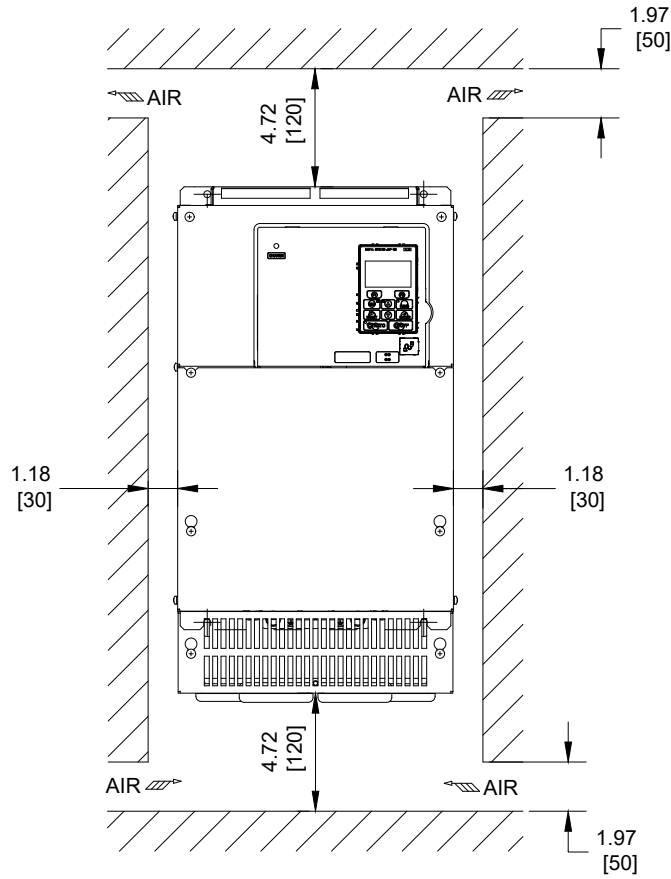
MODEL # CIMR-ZU	TERMINAL SYMBOL	TERMINAL SCREW	CLAMPING TORQUE lb.in.(N.m.)	WIRE RANGE AWG(mm ²)
5A0041 5A0052	R/L1, S/L2, T/L3	M8	79.7 TO 97.4 (9 TO 11)	10-3/0 (5.3-85.0)
	U/T1, V/T2, W/T3			
	⊖, ⊕1			
	B1, B2	M8	79.7 TO 97.4 (9 TO 11)	SEE NOTE
⊕				

NOTE: REFER TO APPLICABLE CODES FOR PROPER WIRE TYPE AND SIZE

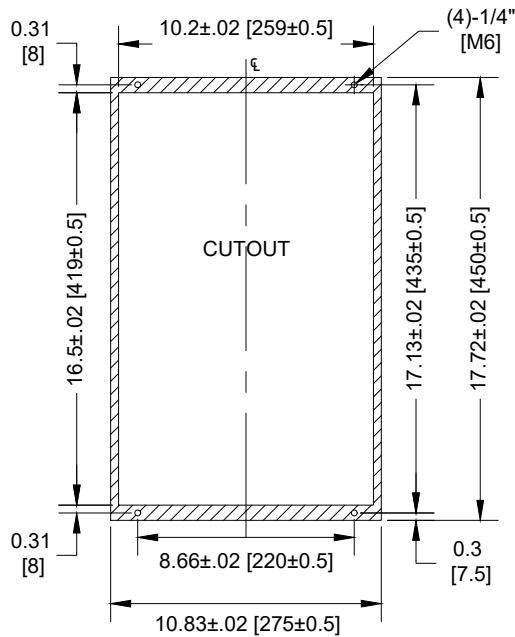
FOR ADDITIONAL DETAILS AND SPECIFICATIONS, CONSULT MANUAL

TOLERANCES / REFERENCES:	<p>THIS DOCUMENT AND INFORMATION CONTAINED IN IT ARE CONFIDENTIAL, AND CANNOT BE COPIED OR DISCLOSED IN WHOLE OR IN PART WITHOUT THE EXPRESS WRITTEN CONSENT OF YASKAWA AMERICA, INC.</p>	DRAWN: J. MATTAS	DATE: 2-12-14	TITLE: Z1000 600V DIMENSION DRAWING		
		CHECKED: J. PIOTROWSKI	DATE: 2-21-14	FRAME SIZE 8		
		TECH: J. BORJA	DATE: 2-24-14	NEMA TYPE 1 ENCLOSURE		
		APPROVED: J. CAIRO	DATE: 2-26-14	5A0041, 5A0052		
UNITS: IN[mm]	SCALE: BY VIEW	ORIGINAL DESIGN: -	DATE: -	SIZE: A	REVISION: R02	PAGE: 2 of 3
				DRAWING #: DD.Z1K6.FR8.N1		

MINIMUM INSTALLATION CLEARANCES (SCALE 1:8)



PANEL CUTOUT FOR EXTERNAL HEATSINK MOUNTING CONFIGURATION (SCALE 1:8)



NOTE:
EXPOSED HEATSINK DEPTH
D=3.94" MINUS PANEL THICKNESS

FOR ADDITIONAL DETAILS AND SPECIFICATIONS, CONSULT MANUAL

TOLERANCES / REFERENCES:		<p>THIS DOCUMENT AND INFORMATION CONTAINED IN IT ARE CONFIDENTIAL, AND CANNOT BE COPIED OR DISCLOSED IN WHOLE OR IN PART WITHOUT THE EXPRESS WRITTEN CONSENT OF YASKAWA AMERICA, INC.</p>	DRAWN: J. MATTAS DATE: 2-12-14	TITLE: Z1000 600V DIMENSION DRAWING	
UNITS: IN[mm]	SCALE: BY VIEW		CHECKED: J. PIOTROWSKI DATE: 2-21-14	FRAME SIZE 8 NEMA TYPE 1 ENCLOSURE 5A0041, 5A0052	
		TECH: J. BORJA DATE: 2-24-14	DATE: 2-24-14	SIZE: A	REVISION: R02
		APPROVED: J. CAIRO DATE: 2-26-14	DATE: 2-26-14	ORIGINAL DESIGN: -	PAGE: 3 of 3
		DRAWING #:		DD.Z1K6.FR8.N1	