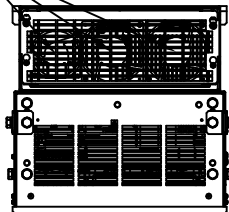
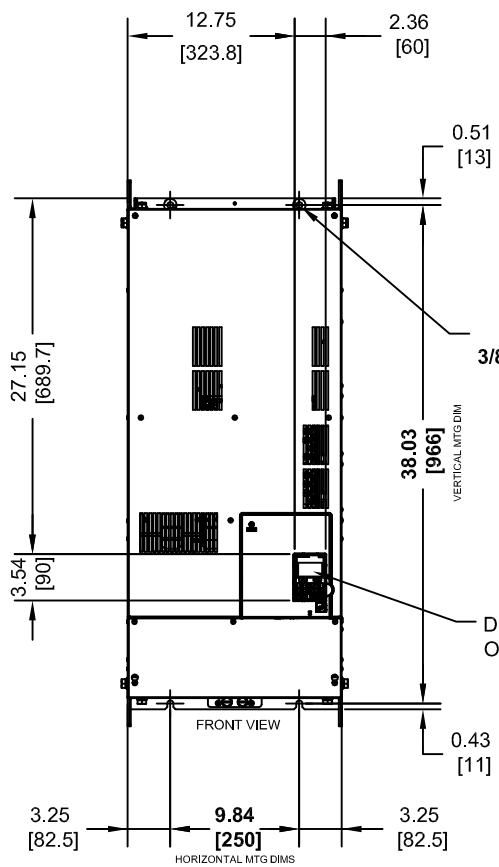


(3) EXTERNAL COOLING FANS

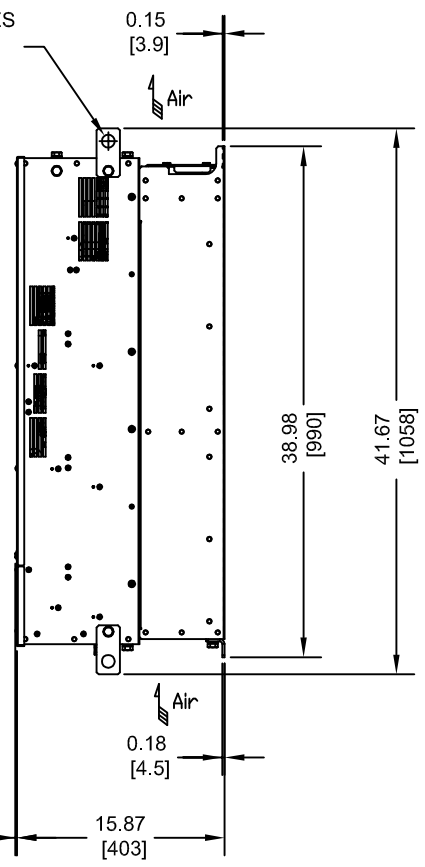


NOTE:  
SPREADER BAR REQUIRED TO  
AVOID DAMAGE DURING LIFTING



(4)-MOUNTING HOLES FOR 3/8" [M10] SCREWS

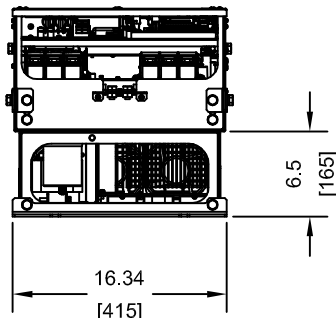
(4)-LIFTING HOLES Ø0.98 [Ø25]



MODEL # CIMR-ZU	VOLTAGE 3-PHASE (VAC)	OUTPUT CURRENT (A)	WEIGHT LBS (Kg)	WEIGHT WITHOUT EMC FILTER LBS (Kg)	HEAT LOSS (W) (Fc=4kHz)		
					INT	EXT	TOT
2Y0154AXX	200/240	154	253 (115)	242 (110)	366	2441	2807
2Y0192AXX		192	253 (115)	242 (110)	447	3064	3511
4Y0156AXX	380/480*	156	253 (115)	242 (110)	421	2857	3278
4Y0180AXX		180	253 (115)	242 (110)	482	3316	3798

NOTES:  
Y DENOTES A-Z  
XX DENOTES AA-ZZ  
\* - FOR MODELS WITHOUT INTEGRAL EMC FILTER,  
VOLTAGE RATING IS 380/500.

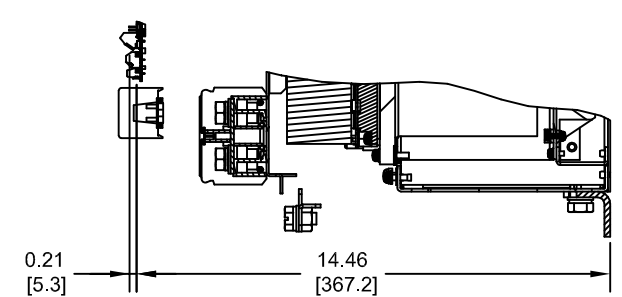
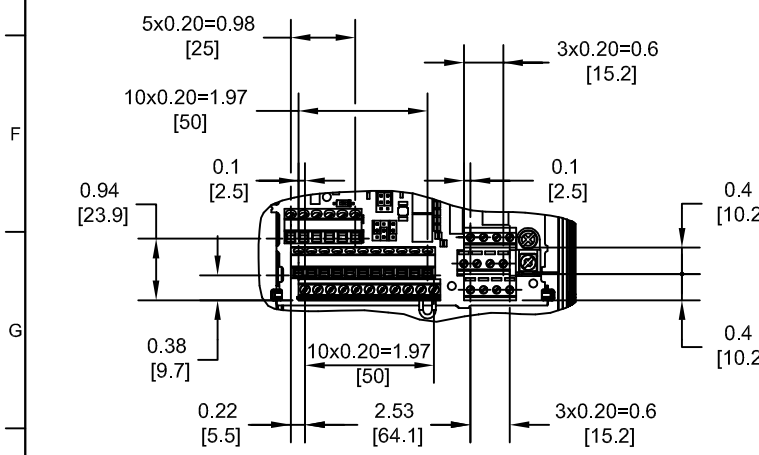
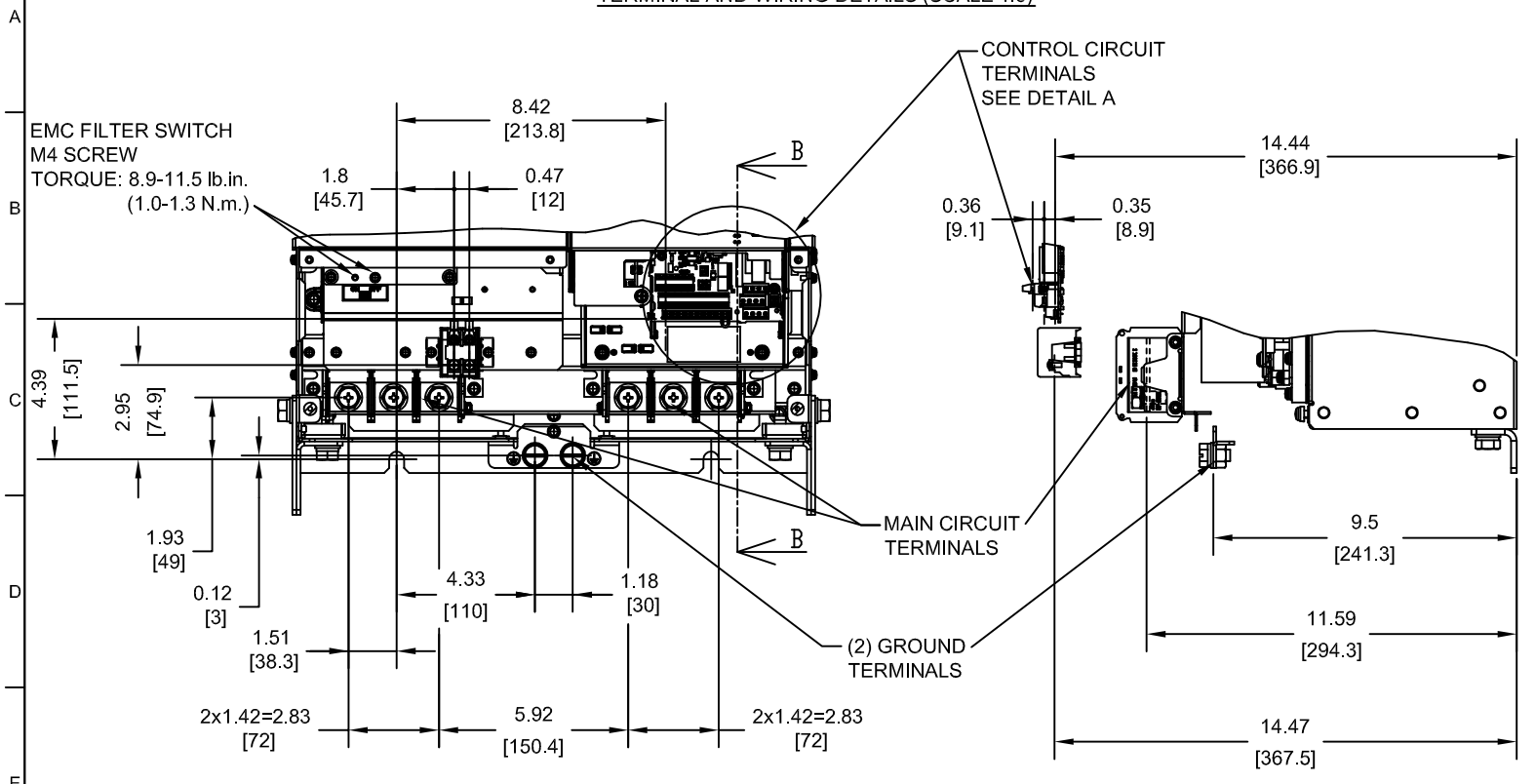
INT=INTERNAL COMPONENTS  
EXT=EXTERNAL HEATSINK  
TOT=TOTAL



FOR ADDITIONAL DETAILS AND SPECIFICATIONS, CONSULT MANUAL

TOLERANCES / REFERENCES:			DRAWN: J. MATTAS CHECKED: J. PIOTROWSKI TECH: J. BORJA APPROVED: J. CAIRO ORIGINAL DESIGN: -	DATE: 12-10-14 DATE: 12-16-14 DATE: 12-17-14 DATE: 2-10-15 DATE: -	TITLE: Z1000U DIMENSION DRAWING FRAME SIZE 4 IP00 ENCLOSURE 2A0154, 2A0192, 4A0156 AND 4A0180 SIZE: A REVISION: R00 PAGE: 1 of 3 DRAWING #: <b>DD.Z1KU.FR4.IP00</b>
UNITS: IN[mm]	SCALE: 1:15		THIS DOCUMENT AND INFORMATION CONTAINED IN IT ARE CONFIDENTIAL, AND CANNOT BE COPIED OR DISCLOSED IN WHOLE OR IN PART WITHOUT THE EXPRESS WRITTEN CONSENT OF YASKAWA AMERICA, INC.		

TERMINAL AND WIRING DETAILS (SCALE 1:6)



SECTION B-B

DETAIL A (SCALE 1:3)  
CONTROL CIRCUIT TERMINALS

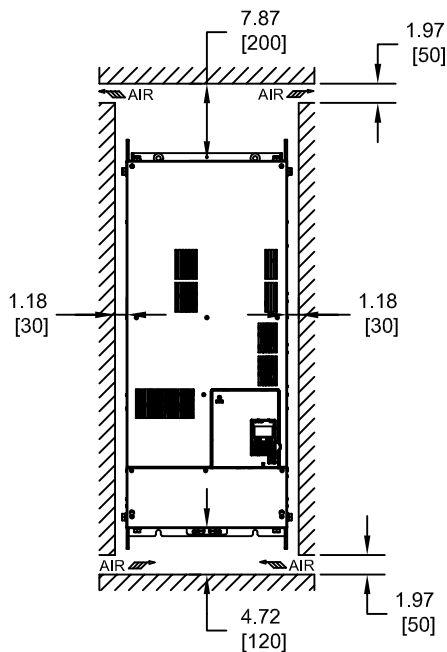
TERMINAL AND WIRE SPECIFICATIONS FOR  
MAIN CIRCUIT AND GROUND

MODEL # CIMR-ZU	TERMINAL SYMBOL	TERMINAL SCREW	CLAMPING TORQUE lb.in.(N.m.)	WIRE RANGE AWG(mm <sup>2</sup> )
2A0154	R/L1, S/L2, T/L3	M10	133 TO 177 (15 TO 20)	10 TO 4/0 (6 TO 95)
2A0192	U/T1, V/T2, W/T3			
4A0156	p1, n1	M4	10.6 TO 17.7 (1.2 TO 2.0)	14 TO 12 (2.5 TO 4)
4A0180	⊕	M10	156 TO 200 (17.7 TO 22.6)	4 TO 2/0 (25 TO 70)

NOTE: REFER TO APPLICABLE CODES FOR PROPER WIRE TYPE AND SIZE

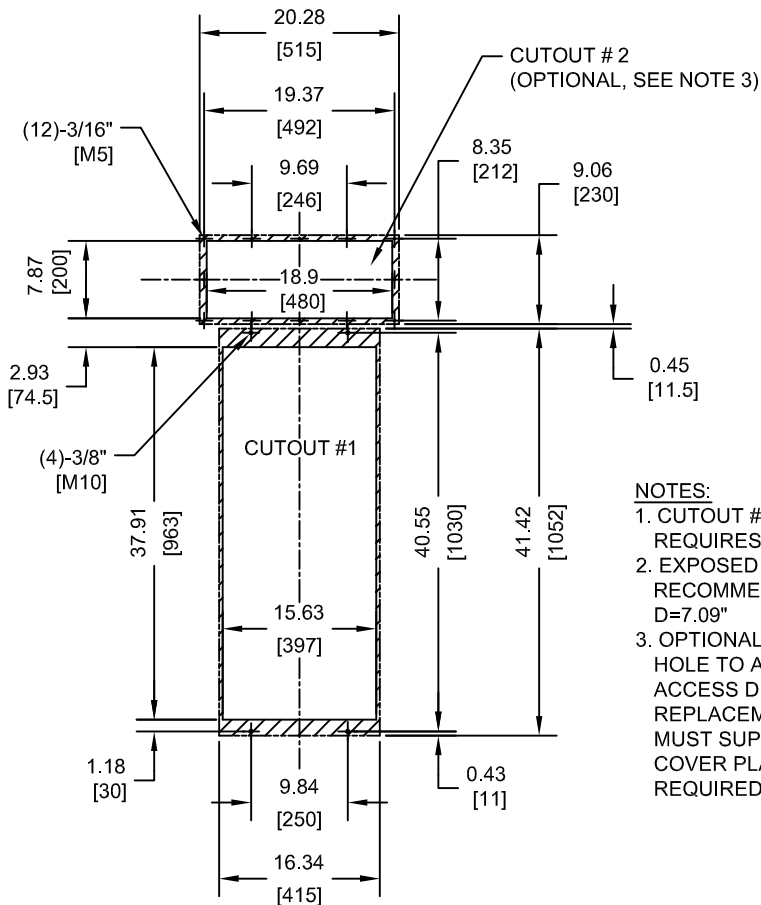
TOLERANCES / REFERENCES:			DRAWN: J. MATTAS CHECKED: J. PIOTROWSKI TECH: J. BORJA APPROVED: J. CAIRO ORIGINAL DESIGN: -	DATE 12-10-14 DATE 12-16-14 DATE 12-17-14 DATE 2-10-15 DATE -	TITLE: Z1000U DIMENSION DRAWING FRAME SIZE 4 IP00 ENCLOSURE 2A0154, 2A0192, 4A0156 AND 4A0180 SIZE A REVISION R00 PAGE 2 of 3
UNITS: IN[mm]	SCALE: BY VIEW		THIS DOCUMENT AND INFORMATION CONTAINED IN IT ARE CONFIDENTIAL, AND CANNOT BE COPIED OR DISCLOSED IN WHOLE OR IN PART WITHOUT THE EXPRESS WRITTEN CONSENT OF YASKAWA AMERICA, INC.	DRAWING #: <b>DD.Z1KU.FR4.IP00</b>	

MINIMUM INSTALLATION CLEARANCES (SCALE 1:20)



NOTE:  
FOR SIDE-BY-SIDE MOUNTING  
CONSULT MANUAL

PANEL CUTOUT FOR EXTERNAL HEATSINK  
MOUNTING CONFIGURATION (SCALE 1:20)



- NOTES:
1. CUTOUT #1: EXTERNAL HEATSINK, REQUIRES MOUNTING KIT
  2. EXPOSED HEATSINK RECOMMENDED CLEARANCE D=7.09"
  3. OPTIONAL CUTOUT #2 IS AN ACCESS HOLE TO ALLOW FOR FRONT ACCESS DURING HEATSINK COOLING FAN REPLACEMENT. THE PANEL BUILDER MUST SUPPLY THE APPROPRIATE COVER PLATE AND HARDWARE REQUIRED TO CLOSE THIS OPENING.

FOR ADDITIONAL DETAILS AND SPECIFICATIONS, CONSULT MANUAL

TOLERANCES / REFERENCES:			DRAWN: J. MATTAS	DATE: 12-10-14	TITLE: Z1000U DIMENSION DRAWING		
			CHECKED: J. PIOTROWSKI	DATE: 12-16-14	FRAME SIZE 4 IP00 ENCLOSURE		
		THIS DOCUMENT AND INFORMATION CONTAINED IN IT ARE CONFIDENTIAL, AND CANNOT BE COPIED OR DISCLOSED IN WHOLE OR IN PART WITHOUT THE EXPRESS WRITTEN CONSENT OF YASKAWA AMERICA, INC.			TECH: J. BORJA	DATE: 12-17-14	2A0154, 2A0192, 4A0156 AND 4A0180
UNITS: IN[mm]	SCALE: BY VIEW	APPROVED: J. CAIRO		DATE: 2-10-15	SIZE: A	REVISION: R00	PAGE: 3 of 3
		ORIGINAL DESIGN: -		DATE: -	DRAWING #: DD.Z1KU.FR4.IP00		