

**CONTROL TRANSFORMER PRIMARY CONNECTIONS**

INPUT VOLTS	TERMINALS		JUMPER LOCATION
	A	B	
230/240	(H1)	(H4)	(H1) TO (H3) (H2) TO (H4)
460/480	(H1)	(H4)	(H2) TO (H3)
600	(H1)	(H2)	NONE

**CONTACT SEQUENCE CHART FOR S2 WITHOUT SERIAL COMM. OPTIONS TD, TG, TH OR TQ**  
 X - INDICATES CONTACT CLOSED

CONTACT	POSITION			MANUF. LOCATION /TYPE
	HAND	OFF	AUTO	
1	X			1RO
2			X	1LO
3	X			2RO

\* SCHEMATIC SHOWS THIS POSITION.

**CONTACT SEQUENCE CHART FOR S2 WITH SERIAL COMM. OPTIONS TD, TG, TH OR TQ**  
 X - INDICATES CONTACT CLOSED

CONTACT	POSITION			MANUF. LOCATION /TYPE
	HAND	OFF	AUTO	
1	X			1RO
2			X	1LO
3			X	2LO

\* SCHEMATIC SHOWS THIS POSITION.

**BLOWER MOTOR**

FLA RATING	AMPS	VOLTS
3.0	4.2 - 360	240
1.5	2.1 - 477	480
3.0	515 - 720	480

**YASKAWA**

THIS DOCUMENT AND INFORMATION CONTAINED IN IT ARE CONFIDENTIAL, AND CANNOT BE COPIED OR DISCLOSED IN WHOLE OR IN PART WITHOUT THE EXPRESS WRITTEN CONSENT OF YASKAWA AMERICA INC.

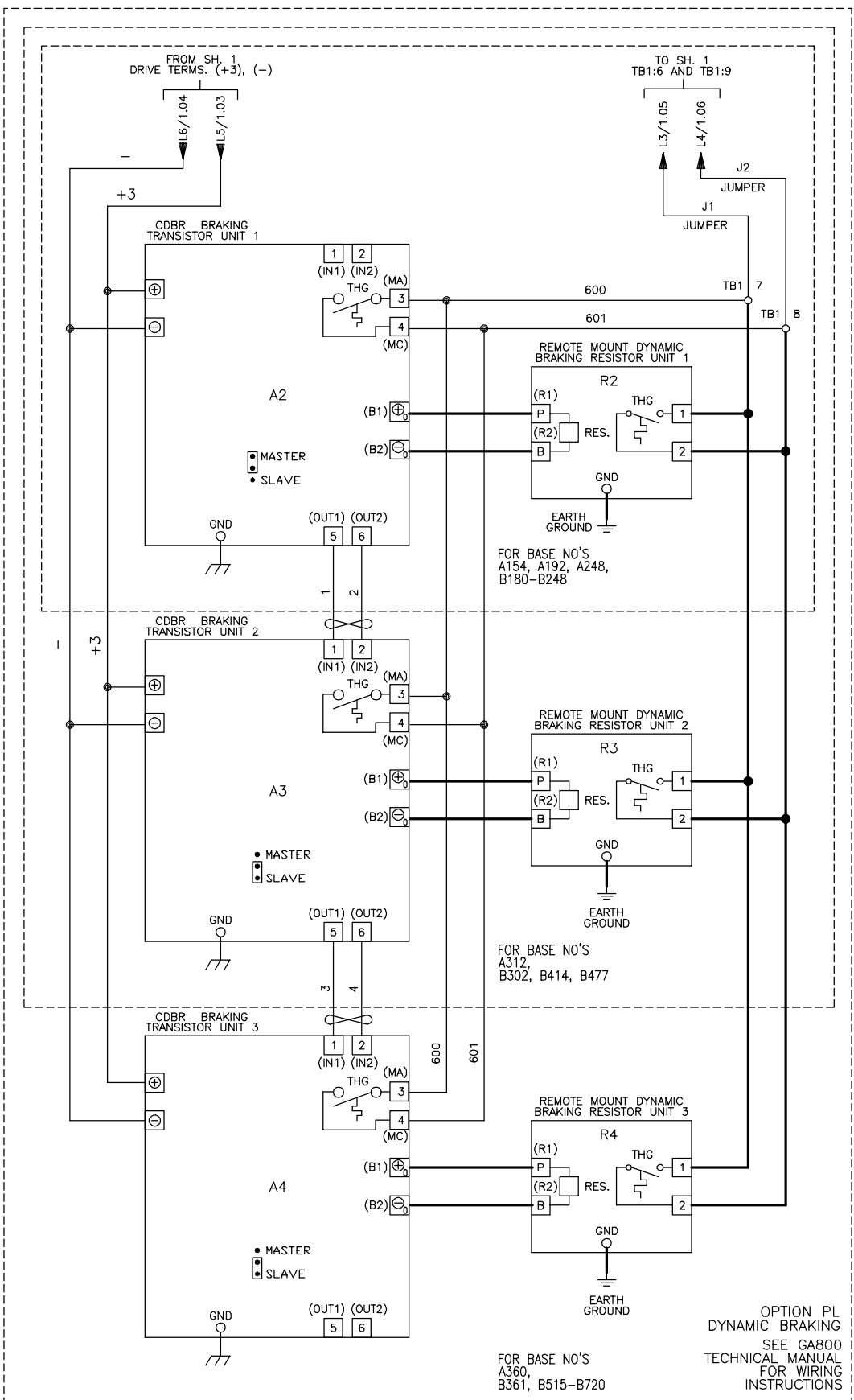
DRAWN BY: K. PEOPLES	DATE: 8/3/18	TITLE: SCHEMATIC DIAGRAM G800 CONFIGURED NORMAL DUTY RATING TYPE 12
CHECKED: N. LAWS	DATE: 8/3/18	SIZE: D
APPROVED: K. FLIERL	DATE: 8/3/18	REVISION: 02
ORIGINAL DESIGNER: K. PEOPLES	DATE: 8/3/18	PAGE: 1 of 2

DRAWING #: **DS.G8C12.07**

**REVISIONS**

REV.	DESCRIPTION	ECD #	DRAWN BY	DATE
02	ADDED OPTION TB AND FRAME 11 WIRING	10925	KAP	10/23/20
01	CHANGED CN2-2 TO CN2	10780	KG	8/19/20

\* - INDICATES COMPONENTS NOT SUPPLIED BY YASKAWA.  
 - - INDICATES CUSTOMER WIRING.  
 --- CONNECTED TO THE CABINET OR PANEL.  
 SEE SHEET 2 FOR NOTES.  
 SEE DRAWING UDE00598 FOR CUSTOMER CONNECTIONS.  
 SEE DRAWING UDE00600 FOR DRIVE PARAMETER SETTINGS.



NOTES:

- CONNECTED TO THE CABINET. CUSTOMER TO CONNECT THE CABINET GROUND LUG TO EARTH GROUND.
- CONDUIT FITTINGS/HUBS SHALL COMPLY WITH THE 'STANDARD FOR CONDUIT, TUBING, AND CABLE FITTINGS, UL 514B', OR CONDUIT FITTINGS HAVING THE SAME ENVIRONMENTAL RATING AS THE ENCLOSURE SHALL BE USED.
- WITHOUT THE CIRCUIT BREAKER (OPTION PC, PE OR PM), OR DISCONNECT SWITCH OPTION PD, THE DISCONNECT MEANS MUST BE SUPPLIED BY THE CUSTOMER.
- BRANCH CIRCUIT PROTECTION TO BE SUPPLIED BY THE CUSTOMER WHEN NOTED ON THE CABINET DATA NAMEPLATE.
- INSULATED TWISTED SHIELDED WIRE IS REQUIRED. SHIELD TO CONNECT TO PROPER TERMINALS AS SHOWN. CONNECT THE SHIELD ONLY AT THIS END. STUB AND ISOLATE THE OTHER END. DO NOT RUN THESE WIRES IN THE SAME CONDUIT AS THE AC POWER AND AC CONTROL WIRES. KEEP ALL WIRING UNDER 50m IN LENGTH.
- FOR A CONTROL TRANSFORMER T1 POWER RATING OF 350VA OR GREATER, SECONDARY FUSE F6 IS ADDED.
- CUSTOMER TO REMOVE JUMPERS J1 AND J2 FOR WIRING TO EXTERNAL CONTROL LOGIC, IF APPLICABLE.
- IF AC MOTOR IS FURNISHED WITH A N.C. THERMAL SWITCH THEN SET DRIVE PARAMETER H1-08 TO 27. THIS WILL CAUSE THE DRIVE TO COAST TO STOP UPON A AC MOTOR THERMAL FAULT. ALONG WITH THIS, ADD THE FOLLOWING CUSTOMER WIRING: WIRE THE N.C. THERMAL SWITCH BETWEEN TERMINAL S8 OF THE 120VAC INTERFACE CARD AND ONE SIDE OF THE 120VAC SOURCE.
- CUSTOMER MUST PROVIDE PROPER SHORT CIRCUIT PROTECTION AND MEANS OF DISCONNECT.
- OPTIONS TC, TD, TG, TH OR TQ CONTROL (SEE UDE00600 FOR MORE INFORMATION):  
 OPTION TC = PROFINET  
 OPTION TD = ETHERNET/IP  
 OPTION TG = DEVICENET  
 OPTION TH = PROFIBUS  
 OPTION TQ = ETHERNET MODBUS TCP/IP
- DRIVE INPUT FUSES F3, F4, F5 ARE INCLUDED WITH OPTION PE, PC, PM, OR PJ FOR BASE NUMBERS B065-B720.
- DRIVE INPUT FUSES F3, F4, F5 ARE INCLUDED WITH OPTION TB FOR BASE NUMBERS A004-A009 AND B002-B007.

REVISIONS				
REV.	DESCRIPTION	ECD #	DRAWN BY	DATE
02	ADDED OPTION TB AND FRAME 11 WIRING	10925	KAP	10/23/20
01	CHANGED CN2-2 TO CN2	10780	KG	8/19/20

<b>YASKAWA</b>	DRAWN BY: K. PEOPLES	DATE: 8/3/18	TITLE: SCHEMATIC DIAGRAM GA800 CONFIGURED NORMAL DUTY RATING TYPE 12	
	CHECKED: N. LAWS	DATE: 8/3/18		
	TECH: K. PEOPLES	DATE: 8/3/18		
APPROVED: K. FLIERL	DATE: 8/3/18	SIZE: D	REVISION: 02	PAGE: 2 of 2
ORIGINAL DESIGN: K. PEOPLES	DATE: 8/3/18	DRAWING #: DS.G8C12.07		