

CONTROL TRANSFORMER PRIMARY CONNECTIONS

INPUT VOLTS	TERMINALS		JUMPER LOCATION
	A	B	
230/240	(H1)	(H4)	(H1) TO (H3)
480/480	(H1)	(H4)	(H2) TO (H4)
600	(H1)	(H2)	(H2) TO (H3)
			NONE

CONTACT SEQUENCE CHART FOR S2
X - INDICATES CONTACT CLOSED

CONTACT	POSITION		MANUF. LOCATION /TYPE
	HAND	AUTO	
1	X		1RO
2		X	1LO
3	X		2RO

* SCHEMATIC SHOWS THIS POSITION.

CONTACT SEQUENCE CHART FOR S2
X - INDICATES CONTACT CLOSED

CONTACT	POSITION		MANUF. LOCATION /TYPE
	HAND	AUTO	
1	X		1RO
2		X	1LO
3		X	2LO

* SCHEMATIC SHOWS THIS POSITION.

- NOTES:**
- CONNECTED TO THE CABINET. CUSTOMER TO CONNECT THE CABINET GROUND LUGS TO EARTH GROUND AND UTILITY GROUND.
 - CONDUIT FITTINGS/HUBS SHALL COMPLY WITH THE 'STANDARD FOR CONDUIT, TUBING, AND CABLE FITTINGS, UL 514B' OR CONDUIT FITTINGS HAVING THE SAME ENVIRONMENTAL RATING AS THE ENCLOSURE SHALL BE USED.
 - WITHOUT THE CIRCUIT BREAKER (OPTION PC, PE, OR PM), OR DISCONNECT SWITCH OPTION PD, THE DISCONNECT MEANS MUST BE SUPPLIED BY THE CUSTOMER.
 - BRANCH CIRCUIT PROTECTION TO BE SUPPLIED BY THE CUSTOMER WHEN NOTED ON THE CABINET DATA NAMEPLATE.
 - INSULATED TWISTED SHIELDED WIRE IS REQUIRED. SHIELD TO CONNECT TO PROPER TERMINALS AS SHOWN. CONNECT THE SHIELD ONLY AT THIS END. STUB AND ISOLATE THE OTHER END. DO NOT RUN THESE WIRES IN THE SAME CONDUIT AS THE AC POWER AND AC CONTROL WIRES. KEEP ALL WIRING UNDER 50m IN LENGTH.
 - CUSTOMER TO ADJUST THE THERMOSTAT ON THE SPACE HEATER HR1 FOR THE MINIMUM DESIRED TEMPERATURE INSIDE THE DRIVE CABINET. THIS SET TEMPERATURE IS NORMALLY SELECTED TO BE SLIGHTLY HIGHER THAN THE MINIMUM AMBIENT TEMPERATURE OF THE AIR SURROUNDING THE CABINET, AND IS THE TEMPERATURE AT WHICH THE SPACE HEATER HR1 WILL SHUT OFF.
 - FOR A CONTROL TRANSFORMER T1 POWER RATING OF 350VA OR GREATER, SECONDARY FUSE F6 IS ADDED.
 - IF AC MOTOR IS FURNISHED WITH A N.C. THERMAL SWITCH THEN SET DRIVE PARAMETER H1-08 TO 27. THIS WILL CAUSE THE DRIVE TO COAST TO STOP UPON AN AC MOTOR THERMAL FAULT.
 - ALONG WITH THIS, ADD THE FOLLOWING CUSTOMER WIRING:
WIRE THE N.C. THERMAL SWITCH BETWEEN DRIVE TERMINAL S8 OF THE 120VAC INTERFACE CARD AND ONE SIDE OF 120VAC SOURCE.
 - CUSTOMER MUST PROVIDE PROPER SHORT CIRCUIT PROTECTION AND MEANS OF DISCONNECT. (SEE UDE00338 FOR MORE INFORMATION)
 - OPTIONS TD, IG, TH, OR TQ CONTROL (SEE UDE00338 FOR MORE INFORMATION)

YASKAWA

THIS DOCUMENT AND INFORMATION CONTAINED HEREIN IS CONFIDENTIAL AND CANNOT BE REPRODUCED OR DISCLOSED IN WHOLE OR IN PART WITHOUT THE EXPRESS WRITTEN CONSENT OF YASKAWA AMERICA, INC.

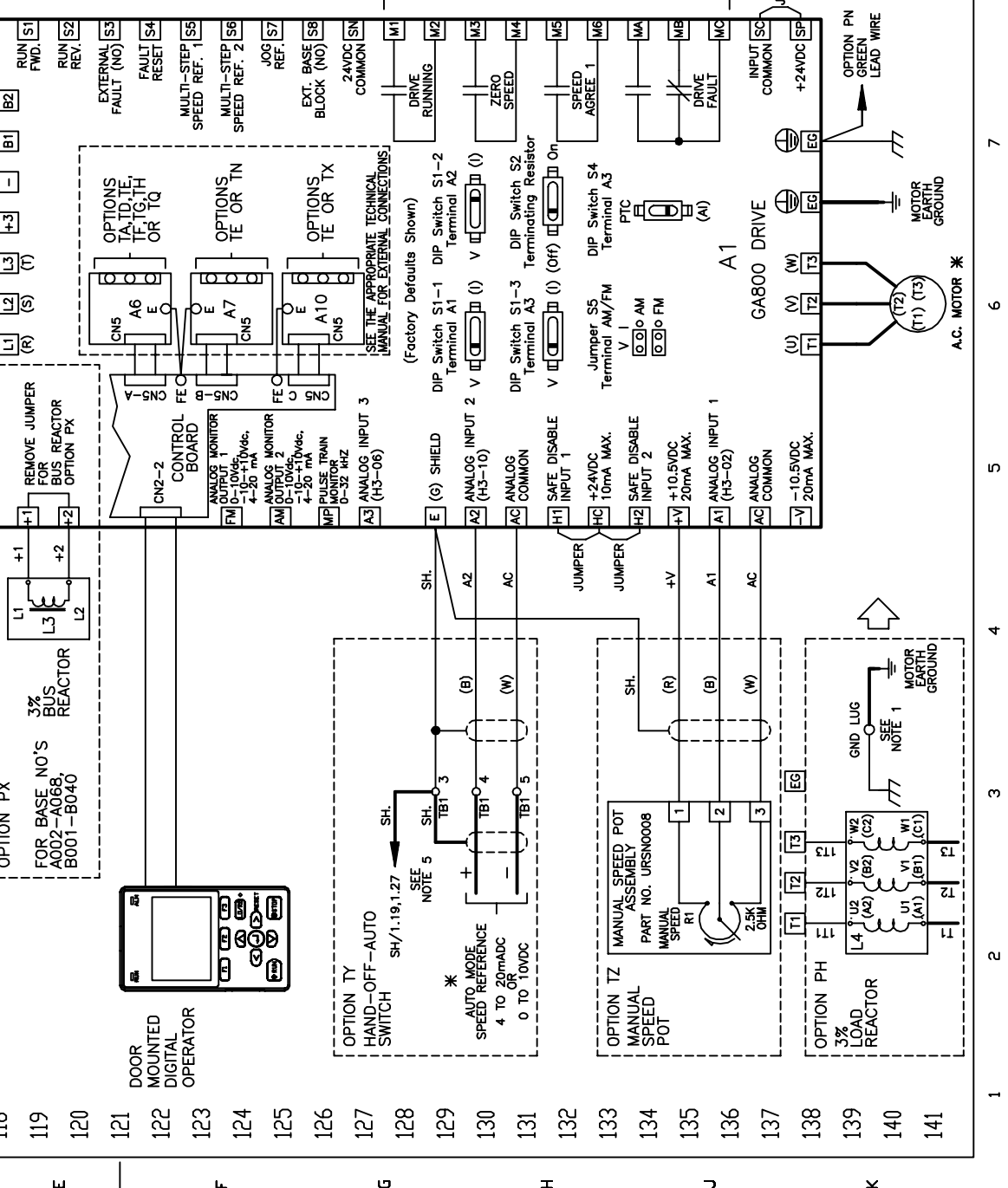
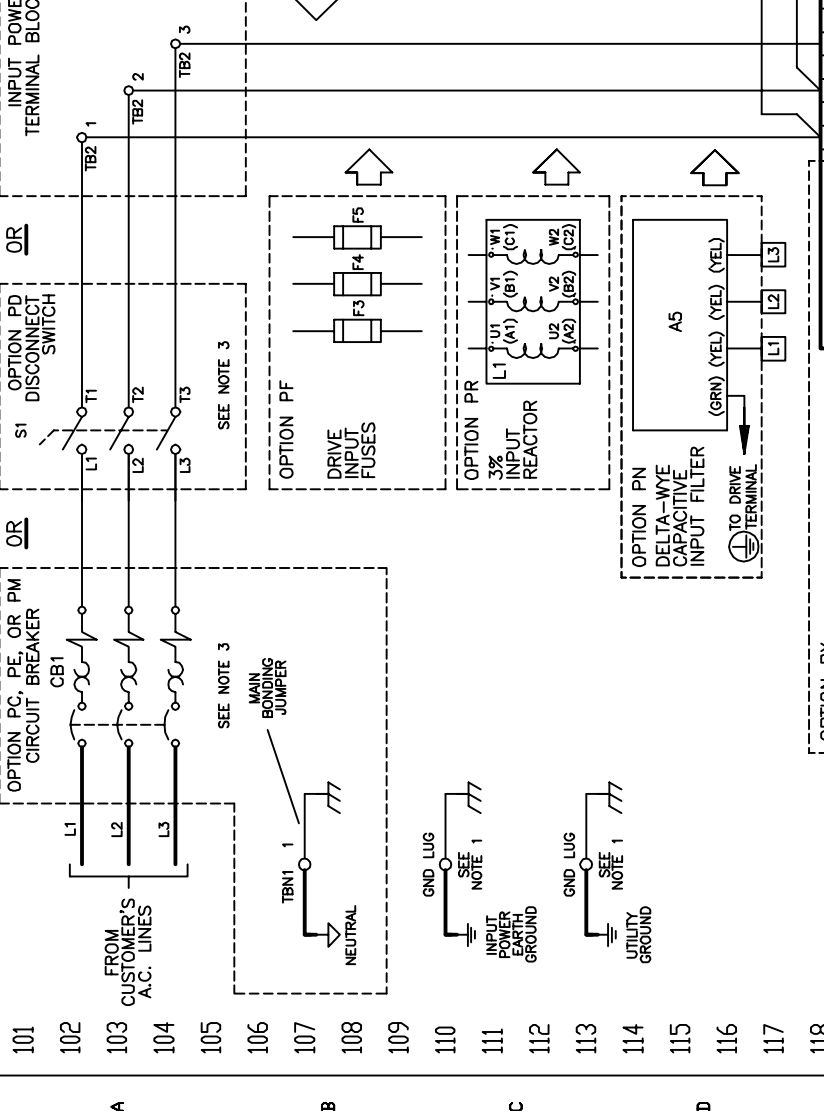
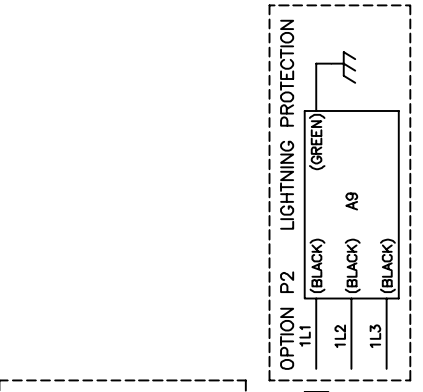
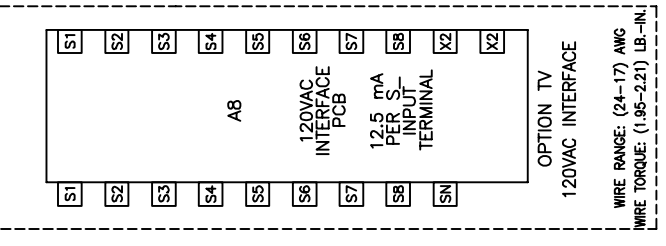
REV.	DESCRIPTION	ECO #	DRAWN BY	DATE
00	INITIAL RELEASE	-	NSL	05/16/18

DATE	5/19/18	DATE	5/17/18
BY	N. LAWS	BY	K. MALUSIC
CHKD	K. MALUSIC	CHKD	K. FLIERL
APP'D	N. LAWS	APP'D	N. LAWS

SCHEMATIC DIAGRAM
GAB00 CONFIGURED
NORMAL DUTY RATING
TYPE 3R

SIZE D 00
PAGE 1 of 1

DS.G8C3R.10



- * - INDICATES COMPONENTS NOT SUPPLIED BY YASKAWA.
- - - INDICATES CUSTOMER WIRING.
--- CONNECTED TO THE CABINET OR PANEL.
SEE DRAWING UDE00581 FOR CUSTOMER CONNECTION TABLES.
SEE DRAWING UDE00583 FOR DRIVE PARAMETER SETTINGS.