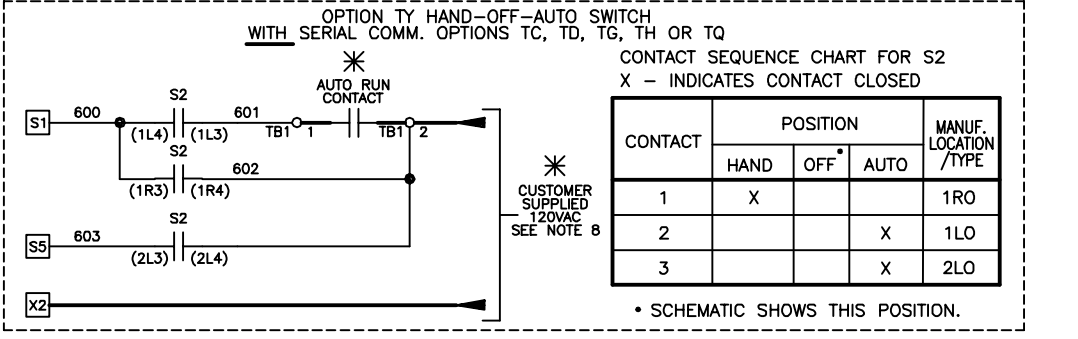
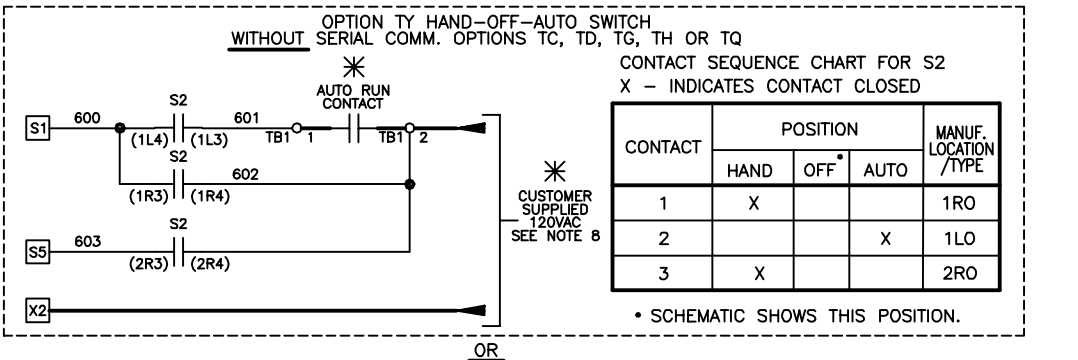


INPUT VOLTS	TERMINALS		JUMPER LOCATION
	A	B	
230/240	(H1)	(H4)	(H1) TO (H3) (H2) TO (H4)
460/480	(H1)	(H4)	(H2) TO (H3)
600	(H1)	(H2)	NONE



- NOTES:
- CONNECTED TO THE CABINET. CUSTOMER TO CONNECT THE CABINET GROUND LUGS TO EARTH GROUND AND UTILITY GROUND.
 - CONDUIT FITTINGS/HUBS SHALL COMPLY WITH THE 'STANDARD FOR CONDUIT, TUBING, AND CABLE FITTINGS, UL 514B'. OR CONDUIT FITTINGS HAVING THE SAME ENVIRONMENTAL RATING AS THE ENCLOSURE SHALL BE USED.
 - WITHOUT THE CIRCUIT BREAKER (OPTION PC, PE, OR PM), OR DISCONNECT SWITCH OPTION PD, THE DISCONNECT MEANS MUST BE SUPPLIED BY THE CUSTOMER.
 - BRANCH CIRCUIT PROTECTION TO BE SUPPLIED BY THE CUSTOMER WHEN NOTED ON THE CABINET DATA NAMEPLATE.
 - INSULATED TWISTED SHIELDED WIRE IS REQUIRED. SHIELD TO CONNECT TO PROPER TERMINALS AS SHOWN. CONNECT THE SHIELD ONLY AT THIS END. STUB AND ISOLATE THE OTHER END. DO NOT RUN THESE WIRES IN THE SAME CONDUIT AS THE AC POWER AND AC CONTROL WIRES. KEEP ALL WIRING UNDER 50m IN LENGTH.
 - CUSTOMER TO ADJUST THE THERMOSTAT ON THE SPACE HEATER HR1 FOR THE MINIMUM DESIRED TEMPERATURE INSIDE THE DRIVE CABINET. THIS SET TEMPERATURE IS NORMALLY SELECTED TO BE SLIGHTLY HIGHER THAN THE MINIMUM AMBIENT TEMPERATURE OF THE AIR SURROUNDING THE CABINET, AND IS THE TEMPERATURE AT WHICH THE SPACE HEATER HR1 WILL SHUT OFF.
 - IF AC MOTOR IS FURNISHED WITH A N.C. THERMAL SWITCH THEN SET DRIVE PARAMETER H1-08 TO 27. THIS WILL CAUSE THE DRIVE TO COAST TO STOP UPON AN AC MOTOR THERMAL FAULT. ALONG WITH THIS, ADD THE FOLLOWING CUSTOMER WIRING: WIRE THE N.C. THERMAL SWITCH BETWEEN DRIVE TERMINAL S8 OF THE 120VAC INTERFACE CARD AND ONE SIDE OF 120VAC SOURCE.
 - CUSTOMER MUST PROVIDE PROPER SHORT CIRCUIT PROTECTION AND MEANS OF DISCONNECT.
 - OPTIONS TC, TD, TG, TH OR TQ CONTROL (SEE UDE00338 FOR MORE INFORMATION)
 - DRIVE INPUT FUSES F3, F4, F5 ARE INCLUDED WITH OPTION PC, PE, OR PM FOR BASE NUMBERS B156 - B590.

* - INDICATES COMPONENTS NOT SUPPLIED BY YASKAWA.
- - INDICATES CUSTOMER WIRING.
- - CONNECTED TO THE CABINET OR PANEL.

DRY CONTACTS FOR CUSTOMER USE

RATED:
1A MAX., 250VAC
1A MAX., 30VDC
CUSTOMER MUST PROVIDE PROPER SHORT CIRCUIT PROTECTION AND MEANS OF DISCONNECT.

SEE DRAWING UDE00582 FOR CUSTOMER CONNECTION TABLES.
SEE DRAWING UDE00583 FOR DRIVE PARAMETER SETTINGS.

YASKAWA

THIS DOCUMENT AND INFORMATION CONTAINED IN IT ARE CONFIDENTIAL, AND CANNOT BE COPIED OR DISCLOSED IN WHOLE OR IN PART WITHOUT THE EXPRESS WRITTEN CONSENT OF YASKAWA AMERICA INC.

REV.	DESCRIPTION	ECO #	DRAWN BY	DATE
00	INITIAL RELEASE	-	NSL	05/16/18

DRAWN BY	DATE	TITLE
N. LAWS	5/16/18	SCHEMATIC DIAGRAM
CHECKED BY	DATE	GAB00 CONFIGURED
K. MALUSIC	5/17/18	HEAVY DUTY - F2 ENCL
TECH	DATE	TYPE 3R
APPROVED BY	DATE	SIZE
K. FLIERL	5/18/18	D
ORIGINAL DESIGNER	DATE	REVISION
N. LAWS	5/16/18	00
		PAGE
		1 of 1

DRAWING # DS.GBC3R.13

Prepared by nathan_laws 11/7/2019 9:41:31 AM