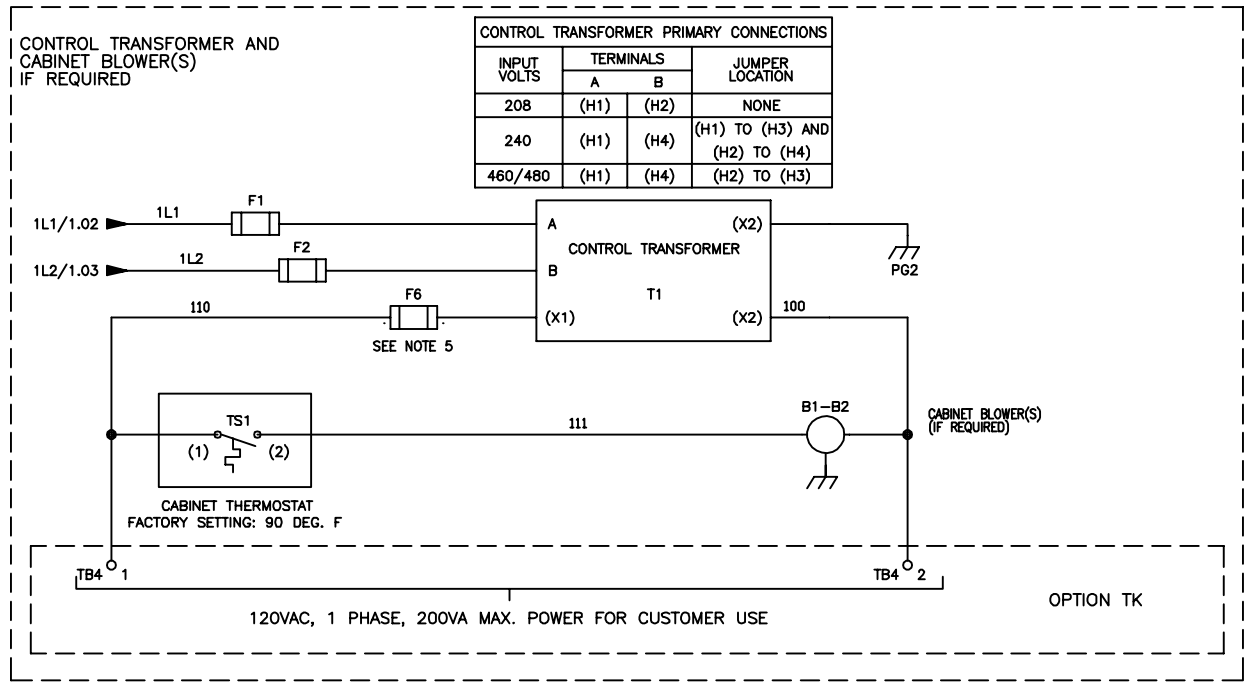


* - INDICATES COMPONENTS NOT SUPPLIED BY YASKAWA.
 - - INDICATES CUSTOMER WIRING.
 ⏏ - CONNECTED TO THE CABINET OR PANEL.
 SEE DRAWING UDE00652 FOR CUSTOMER CONNECTION TABLES.

REVISIONS				
REV.	DESCRIPTION	ECO #	DRAWN BY	DATE
00	INITIAL RELEASE	--	KAP	5/11/20

YASKAWA		DRAWN BY	K. PEOPLES	DATE	5/11/20	TITLE	SCHEMATIC DIAGRAM				
		CHECKED	N. LAWS	DATE	5/11/20		HV600 TYPE 12 CONFIGURED				
THIS DOCUMENT AND INFORMATION CONTAINED HEREIN IS UNCLASSIFIED, AND NOT BE REPRODUCED OR DISCLOSED IN WHOLE OR IN PART WITHOUT THE EXPRESS WRITTEN CONSENT OF YASKAWA AMERICA INC.		APPROVED	R. JENSEN	DATE	5/13/20	SIZE	D	REVISION	00	PAGE	1 of 2
		ORIGINAL DESIGN	K. PEOPLES	DATE	5/11/20	DRAWING #			DS.H6C2.01		



NOTES:

1. CUSTOMER TO CONNECT THE CABINET GROUND LUG TO EARTH GROUND.
2. WHEN INPUT CIRCUIT BREAKER OPTION PM IS NOT PROVIDED, BRANCH CIRCUIT PROTECTION MUST BE SUPPLIED BY THE INSTALLER.
3. FOR 208VAC APPLICATIONS SET PARAMETERS E1-01 AND E1-05 TO 208.
4. FOR SPEED POT OPTION TZ, SET H3-02 TO 2E, L4-05 TO 0, AND S5-01 TO 0
5. WITH A CONTROL POWER TRANSFORMER T1, POWER RATING 350VA OR GREATER, SECONDARY FUSE F6 IS ADDED.
6. DRIVE INPUT FUSES F3, F4, F5 ARE INCLUDED WITH OPTION PM FOR BASE NUMBERS A192-A248, B180-B302 AND D211-D273.
7. CONDUIT FITTINGS/HUBS SHALL COMPLY WITH THE 'STANDARD FOR CONDUIT, TUBING, AND CABLE FITTINGS, UL 514B'. OR CONDUIT FITTINGS HAVING THE SAME ENVIRONMENTAL RATING AS THE ENCLOSURE SHALL BE USED.

YASKAWA	DRAWN BY:	K. PEOPLES	DATE:	5/11/20	TITLE:			SCHEMATIC DRAWING			
	CHECKED:	N. LAWS	DATE:	5/11/20	HV600 TYPE 12			CONFIGURED			
	TECH:		DATE:		SIZE:	REVISION:	PAGE:				
	APPROVED:	R. JENSEN	DATE:	5/13/20	D	00	2 of 2	DRAWING #:			
ORIGINAL DESIGN:				K. PEOPLES	DATE:	5/11/20	DS.H6C2.01				

THIS DOCUMENT AND INFORMATION CONTAINED IN IT ARE CONFIDENTIAL, AND CANNOT BE COPIED OR DISCLOSED IN WHOLE OR IN PART WITHOUT THE EXPRESS WRITTEN CONSENT OF YASKAWA AMERICA INC.