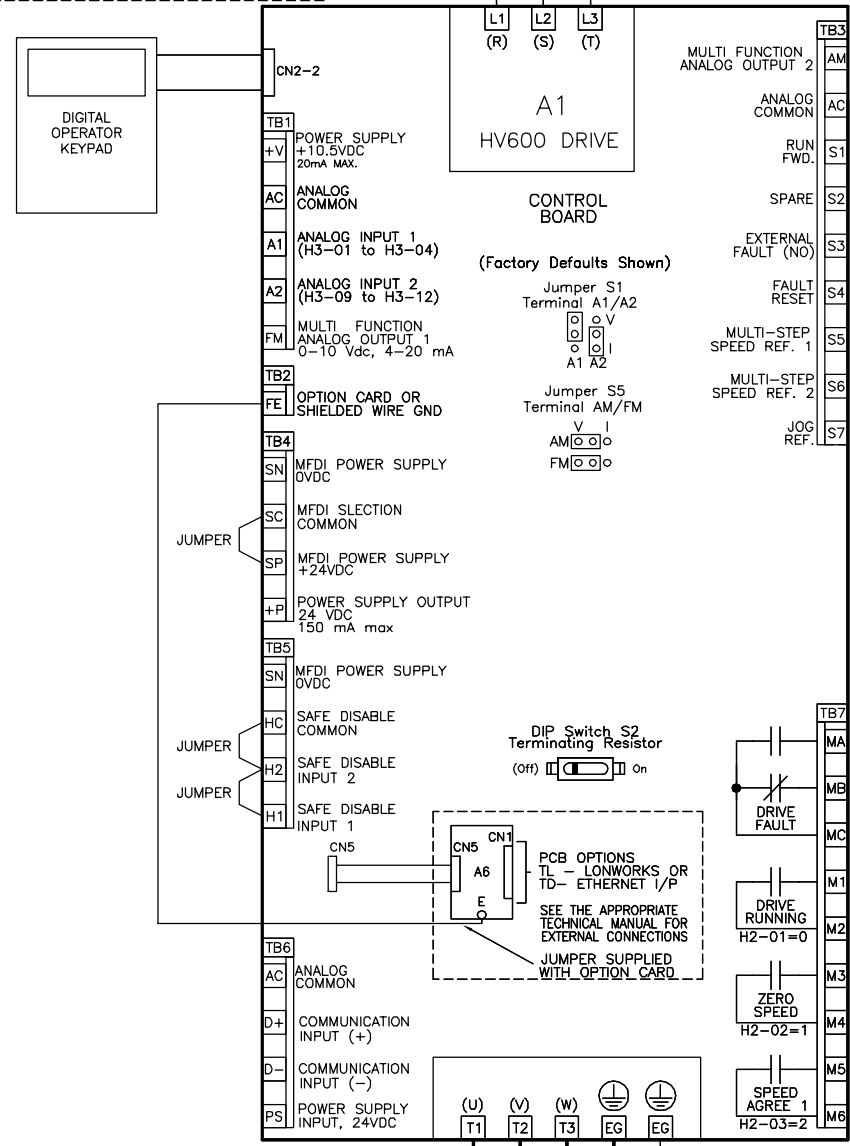
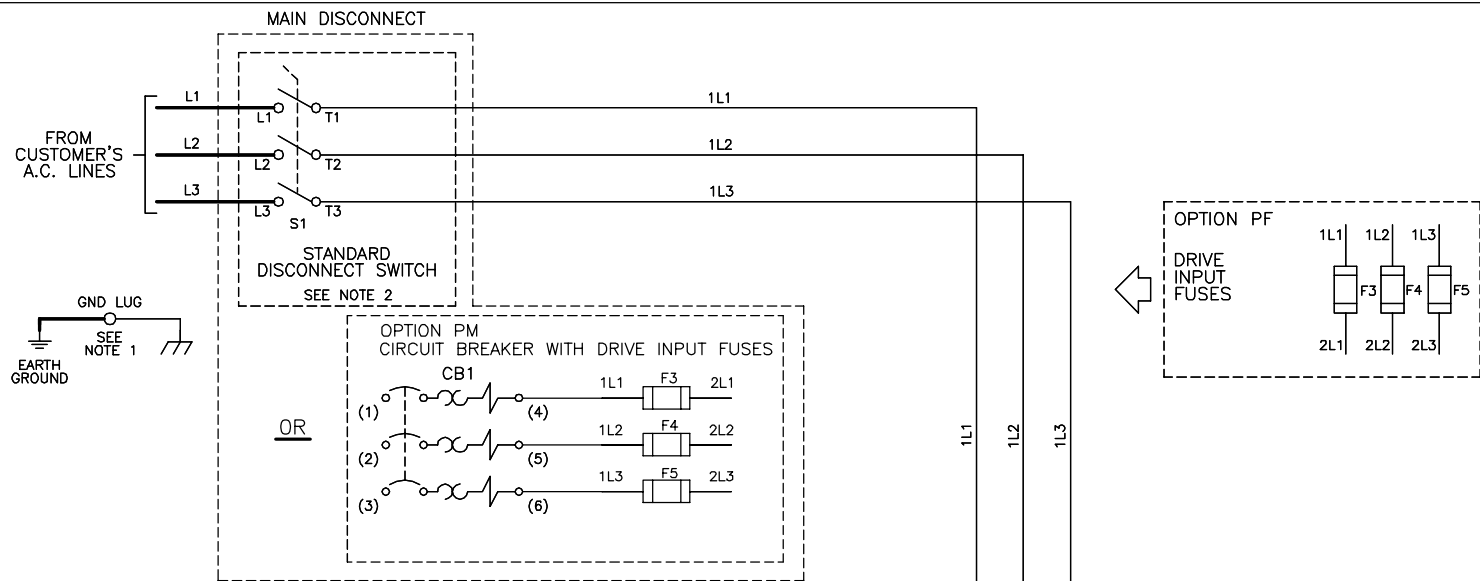


A  
B  
C  
D  
E  
F  
G  
H  
J  
K

A  
B  
C  
D  
E  
F  
G  
H  
J  
K



- NOTES:  
 1. CUSTOMER TO CONNECT THE CABINET GROUND LUG TO EARTH GROUND.  
 2. WHEN INPUT CIRCUIT BREAKER OPTION PM IS NOT PROVIDED, BRANCH CIRCUIT PROTECTION MUST BE SUPPLIED BY THE INSTALLER.  
 3. FOR 208VAC APPLICATIONS SET PARAMETERS E1-01 AND E1-05 TO 208.

\* - INDICATES COMPONENTS NOT SUPPLIED BY YASKAWA.  
 --- - INDICATES CUSTOMER WIRING.  
 SEE DRAWING UDE00573 FOR CUSTOMER CONNECTION TABLES.

REVISIONS				
REV.	DESCRIPTION	ECO #	DRAWN BY	DATE
00	INITIAL RELEASE	--	EAA	1/27/20

<b>YASKAWA</b>	DRAWN BY: E. ACKERMAN	DATE: 5/29/18	TITLE: SCHEMATIC DIAGRAM HV600 NARROW CONFIGURED
	CHECKED: R. JENSEN	DATE: 1/27/20	SIZE: D
APPROVED: R. JENSEN	DATE: 1/27/20	REVISION: 00	PAGE: 1 of 1
ORIGINAL DESIGNER: E. ACKERMAN	DATE: 5/29/18	DRAWING #: DS.H6CP.01	

*THIS DOCUMENT AND INFORMATION CONTAINED IN IT ARE CONFIDENTIAL, AND CANNOT BE COPIED OR DISCLOSED IN WHOLE OR IN PART WITHOUT THE EXPRESS WRITTEN CONSENT OF YASKAWA AMERICA INC.*