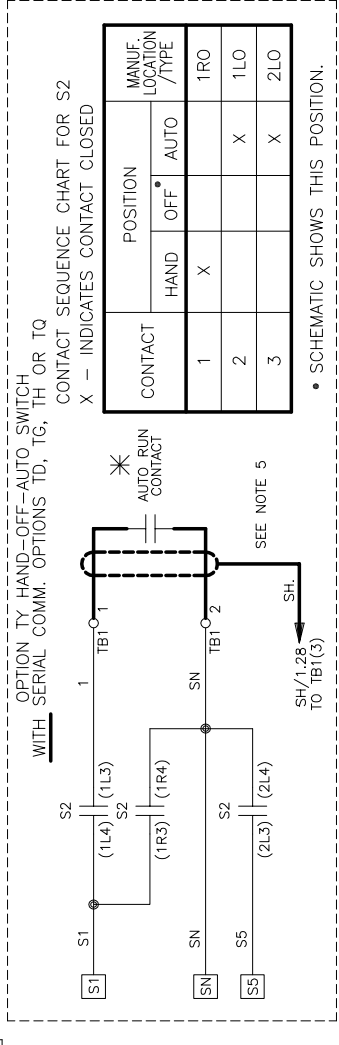
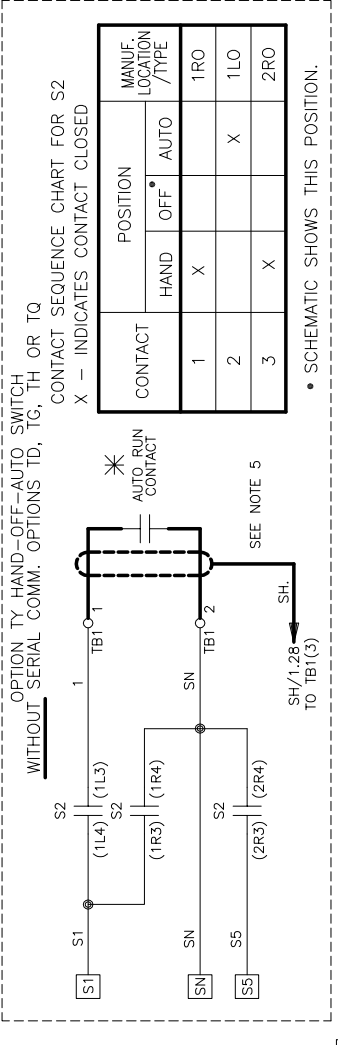
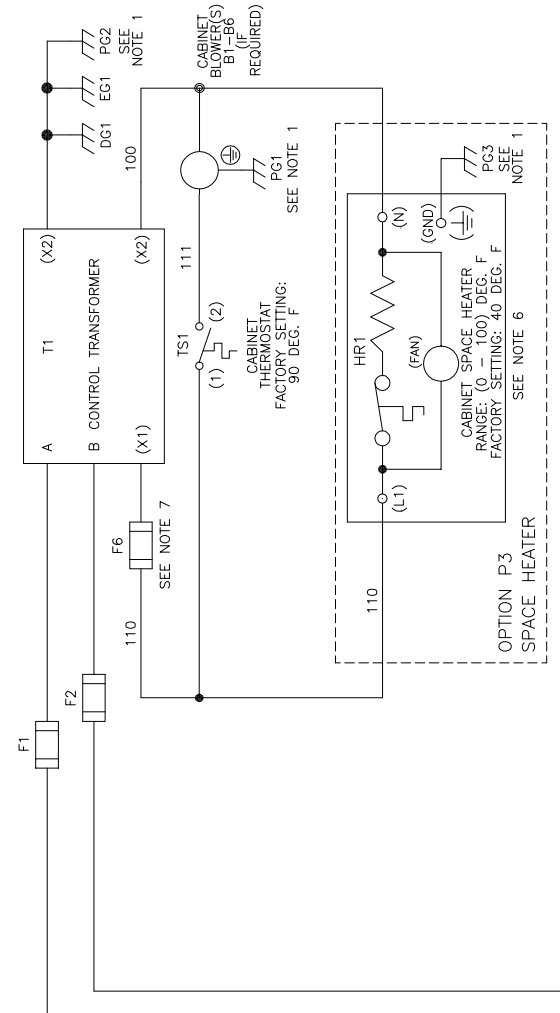
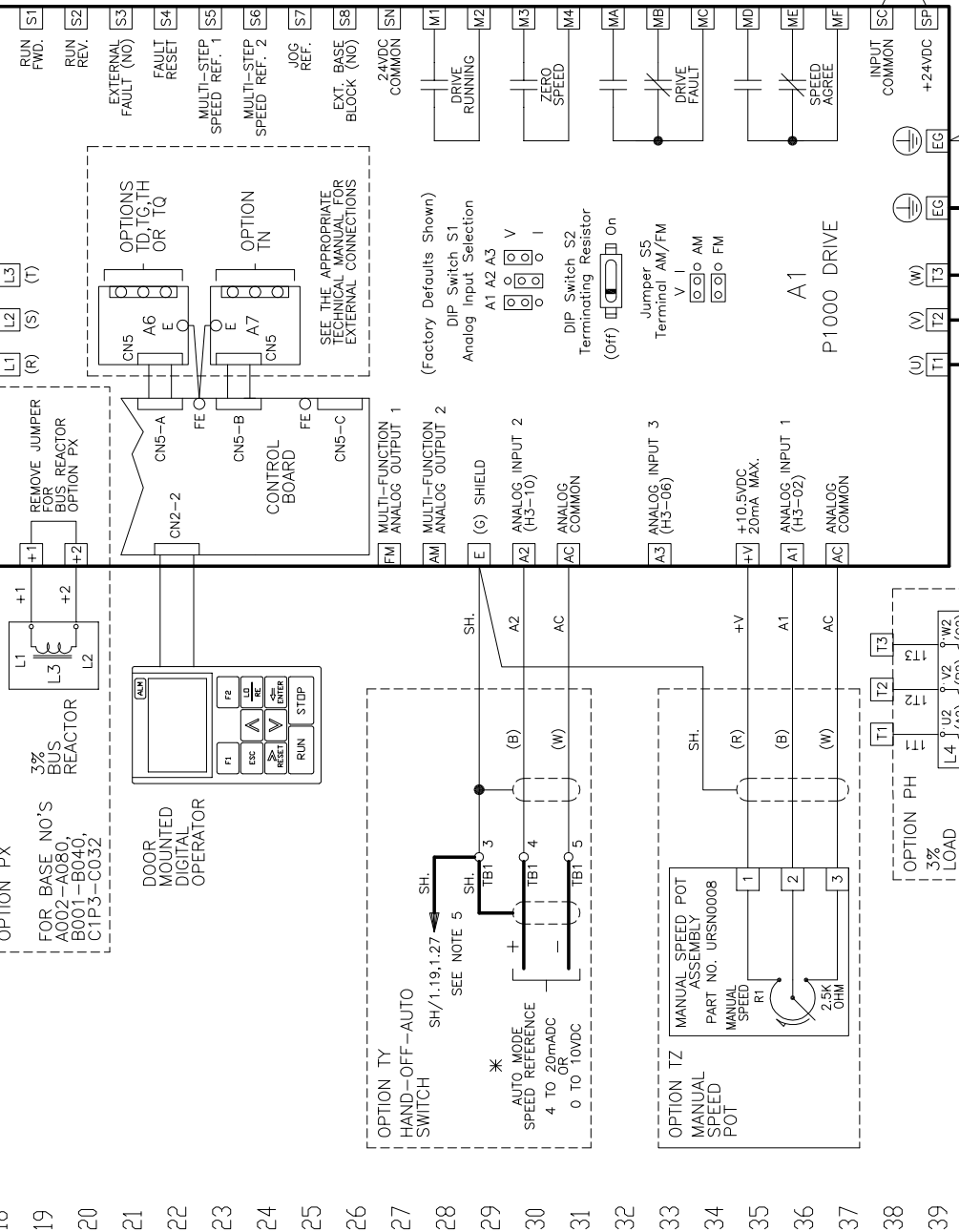
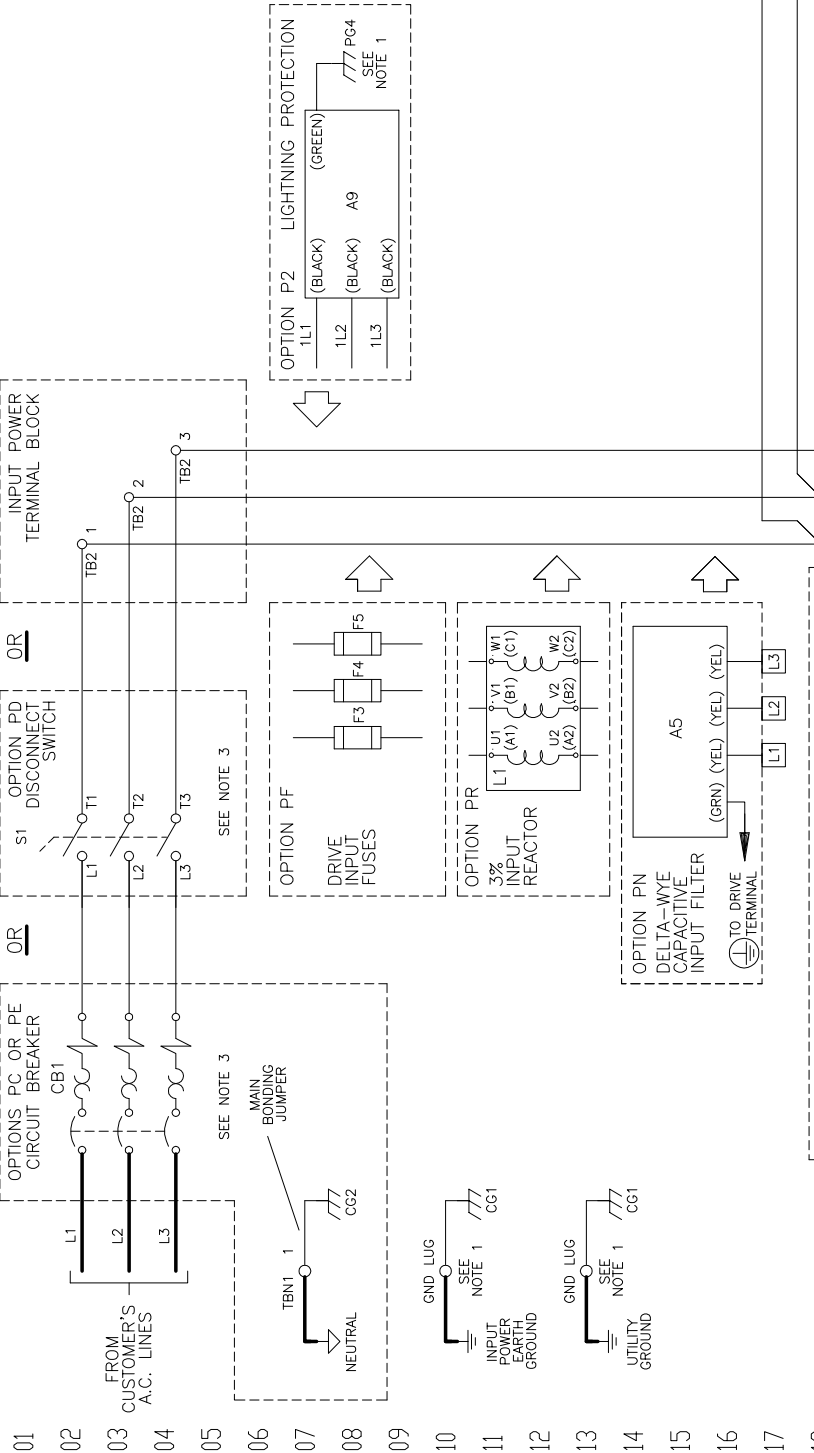


CONTROL TRANSFORMER PRIMARY CONNECTIONS			
INPUT VOLTS	TERMINALS		JUMPER LOCATION
	A	B	
230/240	(H1)	(H4)	(H1) TO (H3)
480/480	(H1)	(H4)	(H2) TO (H4)
600	(H1)	(H2)	NONE



NOTES:

- CONNECTED TO THE CABINET. CUSTOMER TO CONNECT THE CABINET GROUND LUGS TO EARTH GROUND AND UTILITY GROUND.
- CONDUIT FITTINGS/HUBS SHALL COMPLY WITH THE 'STANDARD FOR CONDUIT, TUBING, AND CABLE FITTINGS, UL 514B' OR CONDUIT FITTINGS HAVING THE SAME ENVIRONMENTAL RATING AS THE ENCLOSURE SHALL BE USED.
- WITHOUT THE CIRCUIT BREAKER (OPTION PC OR PE), OR DISCONNECT SWITCH OPTION PD, THE DISCONNECT MEANS MUST BE SUPPLIED BY THE CUSTOMER.
- BRANCH CIRCUIT PROTECTION TO BE SUPPLIED BY THE CUSTOMER WHEN NOTED ON THE CABINET DATA NAMEPLATE.
- INSULATED TWISTED SHIELDED WIRE IS REQUIRED. SHIELD TO CONNECT TO PROPER TERMINALS AS SHOWN. CONNECT THE SHIELD ONLY AT THIS END. STUB AND ISOLATE THE OTHER END. DO NOT RUN THESE WIRES IN THE SAME CONDUIT AS THE AC POWER AND AC CONTROL WIRES. KEEP ALL WIRING UNDER 50m IN LENGTH.
- CUSTOMER TO ADJUST THE THERMOSTAT ON THE SPACE HEATER HRT FOR THE MINIMUM DESIRED TEMPERATURE INSIDE THE DRIVE CABINET. THIS SET TEMPERATURE IS NORMALLY SELECTED TO BE SLIGHTLY HIGHER THAN THE MINIMUM AMBIENT TEMPERATURE OF THE AIR SURROUNDING THE CABINET, AND IS THE TEMPERATURE AT WHICH THE SPACE HEATER HRT WILL SHUT OFF.
- FOR A CONTROL TRANSFORMER T1 POWER RATING OF 350VA OR GREATER, SECONDARY FUSE F6 IS ADDED.
- IF AC MOTOR IS FURNISHED WITH A N.C. THERMAL SWITCH THEN SET DRIVE PARAMETER H1-08 TO 27. THIS WILL CAUSE THE DRIVE TO COAST TO STOP UPON AN AC MOTOR THERMAL FAULT.
- ALONG WITH THIS, ADD THE FOLLOWING CUSTOMER WIRING:
WIRE THE N.C. THERMAL SWITCH BETWEEN DRIVE TERMINALS S8 AND SN, AS PER NOTE 5 ABOVE.
- OPTIONS TD, TG, TH OR TQ CONTROL (SEE UDE00370 FOR MORE INFORMATION)



SEE DRAWING UDE00368 FOR CUSTOMER CONNECTION TABLES. SEE DRAWING UDE00370 FOR DRIVE PARAMETER SETTINGS.

* - INDICATES COMPONENTS NOT SUPPLIED BY YASKAWA.

- - INDICATES CUSTOMER WIRING.

SEE DRAWING UDE00370 FOR DRIVE PARAMETER SETTINGS.



THIS DOCUMENT AND INFORMATION CONTAINED HEREIN IS CONFIDENTIAL AND CANNOT BE REPRODUCED OR DISCLOSED IN WHOLE OR IN PART WITHOUT THE EXPRESS WRITTEN CONSENT OF YASKAWA AMERICA, INC. D.R. CMELAK

REV.	DESCRIPTION	ECO #	DRAWN BY	DATE	REVISIONS
01	CHG. _L_ WIRE NO.'S AND WIRING TO SPEED POT	3907	DRC	1/23/13	
00	INITIAL RELEASE	-	KM	9/4/12	

DATE	DATE	DATE	DATE	DATE	DATE
9/4/12	9/4/12	9/4/12	9/4/12	9/4/12	9/4/12

DRAWN BY	CHECKED BY	APPROVED BY	DATE	DATE	DATE
K. MALUSIC	D.R. CMELAK	K. FLIERL	9/4/12	9/4/12	9/4/12

TITLE	DATE	DATE	DATE	DATE	DATE
SCHEMATIC DIAGRAM P1000 CONFIGURED TYPE 3R	9/4/12	9/4/12	9/4/12	9/4/12	9/4/12

SIZE	REVISION	PAGE
D	01	1 of 1