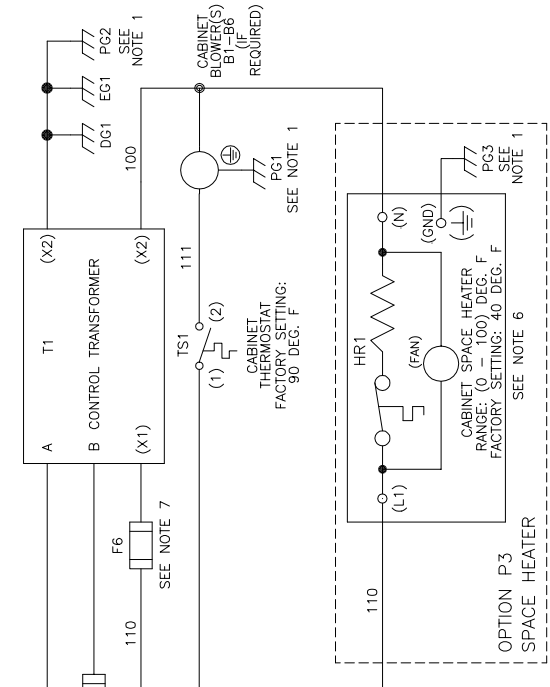


CONTROL TRANSFORMER PRIMARY CONNECTIONS		
INPUT VOLTS	TERMINALS	JUMPER LOCATION
230/240	(H1)	(H1) TO (H3)
480/480	(H1)	(H2) TO (H4)
600	(H1)	(H2) TO (H3)
		NONE



OPTION TY HAND-OFF-AUTO SWITCH CONTACT SEQUENCE CHART FOR S2
 X - INDICATES CONTACT CLOSED

CONTACT	POSITION			MANUF. LOCATION /TYPE
	HAND	OFF	AUTO	
1	X			1R0
2			X	1L0
3	X			2R0

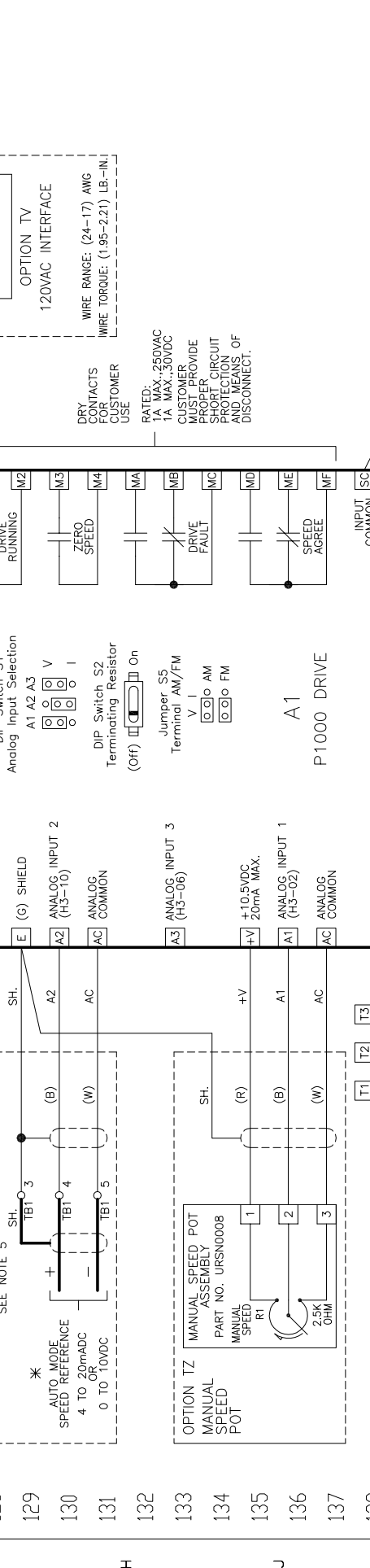
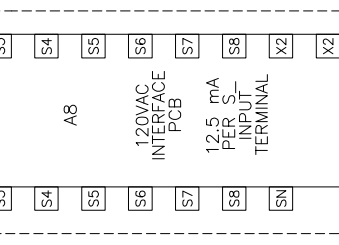
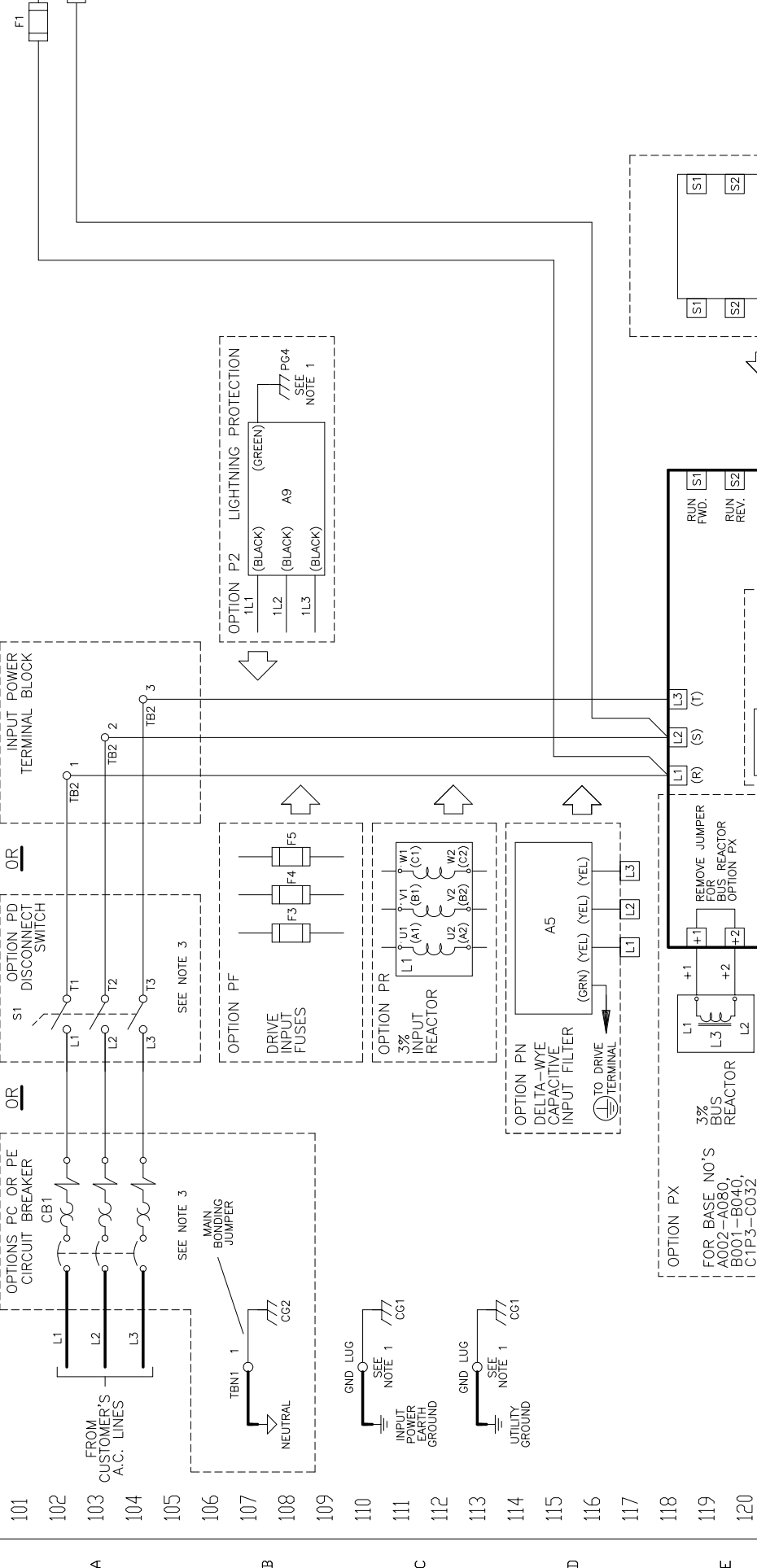
* SCHEMATIC SHOWS THIS POSITION.

OPTION TY HAND-OFF-AUTO SWITCH CONTACT SEQUENCE CHART FOR S2
 X - INDICATES CONTACT CLOSED

CONTACT	POSITION			MANUF. LOCATION /TYPE
	HAND	OFF	AUTO	
1	X			1R0
2			X	1L0
3			X	2L0

* SCHEMATIC SHOWS THIS POSITION.

- NOTES:**
- CONNECTED TO THE CABINET. CUSTOMER TO CONNECT THE CABINET GROUND LUGS TO EARTH GROUND AND UTILITY GROUND.
 - CONDUIT FITTINGS/HUBS SHALL COMPLY WITH THE 'STANDARD FOR CONDUIT, TUBING, AND CABLE FITTINGS, UL 514B'.
 - WITHOUT THE CIRCUIT BREAKER (OPTION PC OR PE), OR DISCONNECT SWITCH OPTION PD, THE DISCONNECT MEANS MUST BE SUPPLIED BY THE CUSTOMER.
 - BRANCH CIRCUIT PROTECTION TO BE SUPPLIED BY THE CUSTOMER WHEN NOTED ON THE CABINET DATA NAMEPLATE.
 - INSULATED TWISTED SHIELDED WIRE IS REQUIRED. SHIELD TO CONNECT TO PROPER TERMINALS AS SHOWN. CONNECT THE SHIELD ONLY AT THIS END. STUB AND ISOLATE THE OTHER END. DO NOT RUN THESE WIRES IN THE SAME CONDUIT AS THE AC POWER AND AC CONTROL WIRES. KEEP ALL WIRING UNDER 50m IN LENGTH.
 - CUSTOMER TO ADJUST THE THERMOSTAT ON THE SPACE HEATER HR1 FOR THE MINIMUM DESIRED TEMPERATURE INSIDE THE DRIVE CABINET. THIS SET TEMPERATURE IS NORMALLY SELECTED TO BE SLIGHTLY HIGHER THAN THE MINIMUM AMBIENT TEMPERATURE OF THE AIR SURROUNDING THE CABINET, AND IS THE TEMPERATURE AT WHICH THE SPACE HEATER HR1 WILL SHUT OFF.
 - FOR A CONTROL TRANSFORMER T1 POWER RATING OF 350VA OR GREATER, SECONDARY FUSE F6 IS ADDED.
 - IF AC MOTOR IS FURNISHED WITH A N.C. THERMAL SWITCH THEN SET DRIVE PARAMETER H1-08 TO 27. THIS WILL CAUSE THE DRIVE TO COAST TO STOP UPON AN AC MOTOR THERMAL FAULT.
 - ALONG WITH THIS, ADD THE FOLLOWING CUSTOMER WIRING:
 WIRE THE N.C. THERMAL SWITCH BETWEEN DRIVE TERMINAL S8 OF THE 120VAC INTERFACE CARD AND ONE SIDE OF 120VAC SOURCE.
 - CUSTOMER MUST PROVIDE PROPER SHORT CIRCUIT PROTECTION AND MEANS OF DISCONNECT.
 - OPTIONS TD, TG, TH OR TQ CONTROL (SEE UDE00370 FOR MORE INFORMATION)



YASKAWA

THIS DOCUMENT AND INFORMATION CONTAINED HEREIN IS CONFIDENTIAL AND CANNOT BE COPIED OR DISCLOSED IN WHOLE OR IN PART WITHOUT THE EXPRESS WRITTEN CONSENT OF YASKAWA AMERICA, INC.

REV.	DESCRIPTION	ECO #	DRAWN BY	DATE
01	CHG. _L_ WIRE NO.'S AND WIRING TO SPEED POT	3907	DRC	1/23/13
00	INITIAL RELEASE	-	KM	9/4/12

SEE DRAWING UDE00368 FOR CUSTOMER CONNECTION TABLES.
 SEE DRAWING UDE00370 FOR DRIVE PARAMETER SETTINGS.

DRAWN BY:	K. MALUSIC	DATE:	9/4/12	TITLE:	SCHEMATIC DIAGRAM
CHECKED:	D.R. CMELAK	DATE:	9/4/12	TYPE:	P1000 CONFIGURED
APPROVED:	K. FLIERL	DATE:	9/4/12	SIZE:	D
DATE:	9/4/12	DRAWING NO.:	DS.P1C3R.05	PAGE:	1 of 1