

CONTROL TRANSFORMER PRIMARY CONNECTIONS	INPUT VOLTS	TERMINALS	JUMPER LOCATION
208	(H1)	(H2)	NONE
230/240	(H1)	(H4)	(H1) TO (H3)
460/480	(H1)	(H4)	(H2) TO (H3)
600	(H1)	(H2)	NONE

- NOTES:
- CONNECTED TO THE CABINET. CUSTOMER TO CONNECT THE CABINET GROUND LUGS TO EARTH GROUND AND UTILITY GROUND.
  - CONDUIT FITTINGS/HUBS SHALL COMPLY WITH THE STANDARD FOR CONDUIT, TUBING, AND CABLE FITTINGS. UL 514B, OR CONDUIT FITTINGS HAVING THE SAME ENVIRONMENTAL RATING AS THE ENCLOSURE SHALL BE USED.
  - LIGHTNING PROTECTION OPTION P2 IS TO BE INSTALLED ON THE VOLTAGE TAP OFFS AT THE BREAKER IF REQUIRED.
  - BRANCH CIRCUIT PROTECTION TO BE SUPPLIED BY THE CUSTOMER WHEN NOTED ON THE CABINET DATA NAMEPLATE.
  - INSULATED TWISTED SHIELDED WIRE IS REQUIRED. SHIELD TO CONNECT TO PROPER TERMINALS AS SHOWN. CONNECT THE SHIELD ONLY AT THIS END. STUB AND ISOLATE THE OTHER END. DO NOT RUN THESE WIRES IN THE SAME CONDUIT AS THE AC POWER AND AC CONTROL WIRES. KEEP ALL WIRING UNDER 50cm IN LENGTH.
  - CUSTOMER TO ADJUST THE THERMOSTAT ON THE SPACE HEATER HR1 FOR THE MINIMUM DESIRED TEMPERATURE INSIDE THE DRIVE CABINET. THIS SET TEMPERATURE IS NORMALLY SELECTED TO BE SLIGHTLY HIGHER THAN THE MINIMUM AMBIENT TEMPERATURE OF THE AIR SURROUNDING THE CABINET, AND IS THE TEMPERATURE AT WHICH THE SPACE HEATER HR1 WILL SHUT OFF.
  - FOR A CONTROL TRANSFORMER T1 POWER RATING OF 350VA OR GREATER, SECONDARY FUSE F6 IS ADDED.
  - IF AC MOTOR IS FURNISHED WITH A N.C. THERMAL SWITCH THEN SET DRIVE PARAMETER HI-08 TO 27. THIS WILL CAUSE THE DRIVE TO COAST TO STOP UPON AN AC MOTOR THERMAL FAULT.
  - ALONG WITH THIS, ADD THE FOLLOWING CUSTOMER WIRING:
  - OPTIONS TD, TG, TH, TL, TU, OR TV CONTROL. (SEE UDE003922 FOR MORE INFORMATION)
  - CUSTOMER TO REPLACE THE JUMPER WITH NORMALLY CLOSED SAFETY INTERLOCKS, IF APPLICABLE.

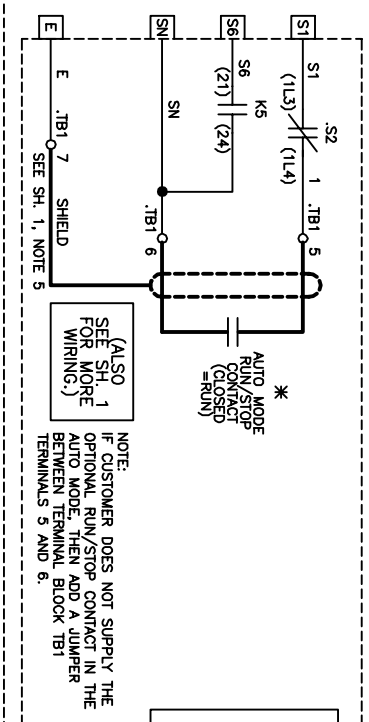
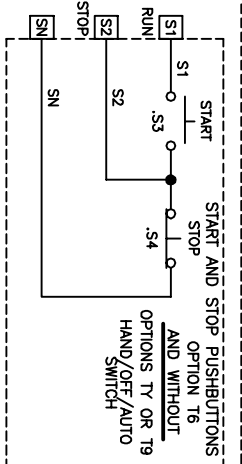
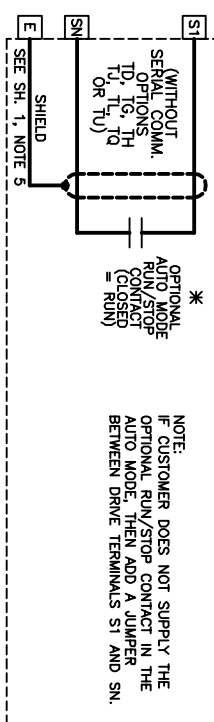
\* - INDICATES CUSTOMER WIRING.  
 \* - INDICATES COMPONENTS NOT SUPPLIED BY YASKAWA.  
 SEE DRAWING UDE00451 FOR CUSTOMER CONNECTION TABLES.  
 SEE DRAWING UDE00453 FOR DRIVE PARAMETER SETTINGS.

REV.	DESCRIPTION	ECO #	DRAWN BY	DATE
02	ADD MISSING REF NUMBERS 201-241 ON PAGE 2	6330	DJP	6/12/15
01	CORRECTED CONTACT LOCATION REFERENCE	5186	NSL	4/01/14
00	INITIAL RELEASE	-	NSL	1/30/14

DESIGNED BY	N. LAWS	DATE	1/30/14
CHECKED	D. PACKER	DATE	1/30/14
IN/T/AE CONSENT	K. FLIERL	DATE	1/31/14
WITHOUT THE EXPRESS WRITTEN CONSENT OF YASKAWA AMERICA INC.	N. LAWS	DATE	1/30/14

SCHEMATIC DIAGRAM	DATE	1/30/14
IQPUMP1000 CONFIGURED	TYPE	3R
IMPEDANCE READY	SIZE	D
	REVISION	02
	PAGE	1 of 2

RUN/STOP CONTROL (FROM SHEET 1)

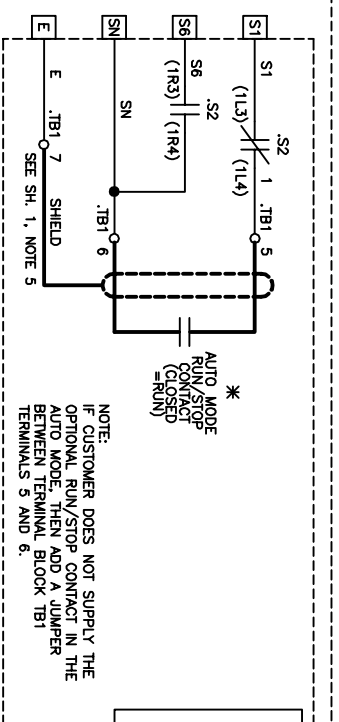


CONTACT SEQUENCE CHART FOR S2  
X - INDICATES CONTACT CLOSED

CONTACT	POSITION		MANUF. LOCATION /TYPE
	HAND	AUTO*	
1	X		1R0
2		X	1L0

\* SCHEMATIC SHOWS THIS POSITION.

OPTION T6  
START AND STOP PUSHBUTTONS  
AND WITH  
OPTION T9, OR PART OF OPTION T9  
HAND/OFF/AUTO SWITCH

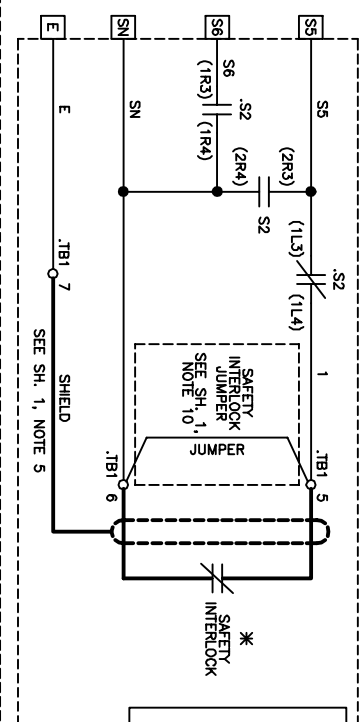


CONTACT SEQUENCE CHART FOR S2  
X - INDICATES CONTACT CLOSED

CONTACT	POSITION		MANUF. LOCATION /TYPE
	HAND	AUTO*	
1	X		1R0
2		X	1L0

\* SCHEMATIC SHOWS THIS POSITION.

OPTION T9, OR PART OF OPTION T9  
HAND/OFF/AUTO SWITCH  
AND WITHOUT  
OPTIONS T0, T1, T2, T3, T4, T5, T6 OR T7  
SERIAL COMMUNICATIONS



CONTACT SEQUENCE CHART FOR S2  
X - INDICATES CONTACT CLOSED

CONTACT	POSITION		MANUF. LOCATION /TYPE
	HAND	AUTO*	
1	X		1R0
2		X	1L0
3	X		2R0

\* SCHEMATIC SHOWS THIS POSITION.

OPTION T9, OR PART OF OPTION T9  
HAND/OFF/AUTO SWITCH  
AND WITH  
OPTIONS T0, T1, T2, T3, T4, T5, T6 OR T7  
SERIAL COMMUNICATIONS

SEE SHEET 1 FOR NOTES.

**YASKAWA**

THIS DOCUMENT AND INFORMATION CONTAINED HEREIN ARE CONFIDENTIAL AND SHALL REMAIN SO UNLESS OTHERWISE INDICATED. ANY DISCLOSURE OR REPRODUCTION OF THIS DOCUMENT WITHOUT THE EXPRESS WRITTEN CONSENT OF YASKAWA AMERICA INC. IS PROHIBITED.

DESIGNED BY N. LAWS	DATE 1/30/14	TITLE SCHEMATIC DIAGRAM
CHECKED BY D. PACKER	DATE 1/30/14	TYPE IQUM P1000 CONFIGURED
APPROVED BY K. FLIERL	DATE 1/31/14	IMPEDANCE READY
ORIGINAL DESIGNER N. LAWS	DATE 1/30/14	SIZE D
		REVISION 02
		PAGE 2 of 2

DS-Q1C3R.19