

- NOTES:**
- CONNECTED TO THE CABINET. CUSTOMER TO CONNECT THE CABINET GROUND LUGS TO EARTH GROUND AND UTILITY GROUND.
 - INSULATED TWISTED SHIELDED WIRE IS REQUIRED. SHIELD TO CONNECT TO PROPER TERMINAL AS SHOWN. CONNECT THE SHIELD ONLY AT THIS END. STUB AND ISOLATE THE OTHER END. DO NOT RUN THESE WIRES IN THE SAME CONDUIT AS THE AC POWER AND THE AC CONTROL WIRES. KEEP ALL WIRING UNDER 50mm IN LENGTH.
 - WITH A CONTROL TRANSFORMER, T1, POWER RATING 350VA OR GREATER, SECONDARY FUSE F6 IS ADDED.
 - WITHOUT THE INPUT CIRCUIT BREAKER OPTION PC, OR WHEN NOTED ON THE CABINET NAMEPLATE, BRANCH CIRCUIT PROTECTION MUST BE SUPPLIED BY THE INSTALLER.
 - CUSTOMER TO ADJUST THE THERMOSTAT ON THE SPACE HEATER HR1 FOR THE MINIMUM DESIRED TEMPERATURE INSIDE THE DRIVE CABINET. THIS SET TEMPERATURE IS NORMALLY SELECTED TO BE SLIGHTLY HIGHER THAN THE MINIMUM AMBIENT TEMPERATURE OF THE AIR SURROUNDING THE CABINET AND IS THE TEMPERATURE AT WHICH THE SPACE HEATER HR1 WILL SHUT OFF.
 - CONDUIT FITTINGS/HUBS SHALL COMPLY WITH THE 'STANDARD FOR CONDUIT, TUBING AND CABLE FITTINGS, UL 514B' OR CONDUIT FITTINGS HAVING THE SAME ENVIRONMENTAL RATING AS THE ENCLOSURE SHALL BE USED.
 - TERMINALS p1 AND n1 ARE FOR MOMENTARY POWER LOSS RECOVERY UNIT. DO NOT CONNECT TO AC POWER SUPPLY.
 - CUSTOMER TO REPLACE THE JUMPER WITH NORMALLY CLOSED SAFETY INTERLOCKS, IF APPLICABLE.

— - INDICATES COMPONENTS NOT SUPPLIED BY YASKAWA
 * - INDICATES CUSTOMER WIRING
 ⚡ - CONNECTED TO THE CABINET OR PANEL

SEE DRAWING UDE00538 FOR DRIVE PARAMETERS.
 SEE DRAWING UDE00539 FOR CUSTOMER CONNECTIONS.

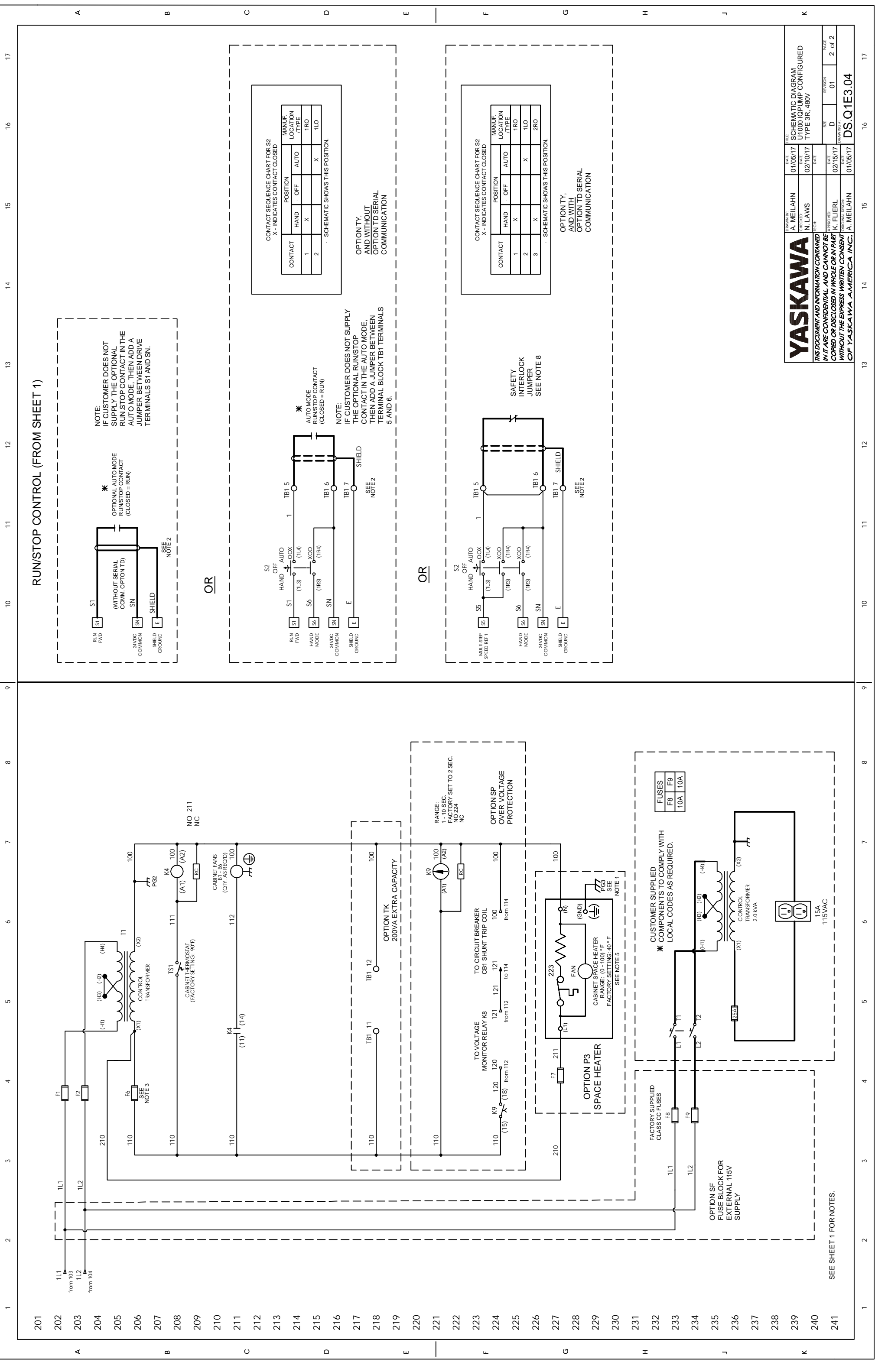
YASKAWA

THIS DOCUMENT AND INFORMATION CONTAINED HEREIN IS CONFIDENTIAL AND CANNOT BE COPIED OR DISCLOSED IN WHOLE OR IN PART WITHOUT THE EXPRESS WRITTEN CONSENT OF YASKAWA AMERICA, INC.

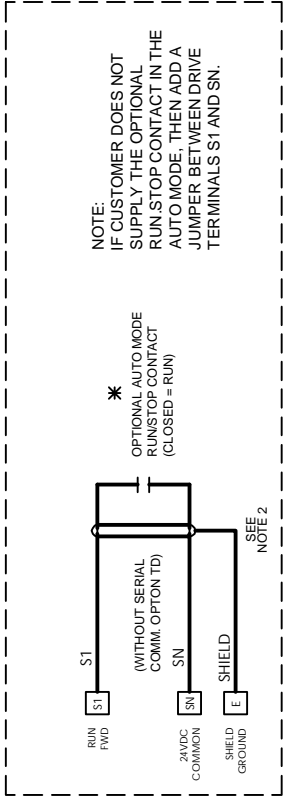
| REV. | DESCRIPTION | ECO # | DRAWN BY | DATE |
|------|-----------------------|-------|------------|----------|
| 01 | FIXED CB1 CONNECTIONS | 9683 | N. LAWS | 06/24/19 |
| 00 | INITIAL RELEASE | | A. MEILAHN | 02/15/17 |

| REV. | DATE | BY | DESCRIPTION | SIZE | REVISION # | PAGE |
|------|----------|------------|-------------------|------|------------|--------|
| 01 | 01/05/17 | A. MEILAHN | SCHEMATIC DIAGRAM | D | 01 | 1 of 2 |
| 02 | 02/10/17 | N. LAWS | SCHEMATIC DIAGRAM | D | 01 | 1 of 2 |
| 02 | 02/15/17 | K. FLIERL | SCHEMATIC DIAGRAM | D | 01 | 1 of 2 |
| 01 | 01/05/17 | A. MEILAHN | SCHEMATIC DIAGRAM | D | 01 | 1 of 2 |

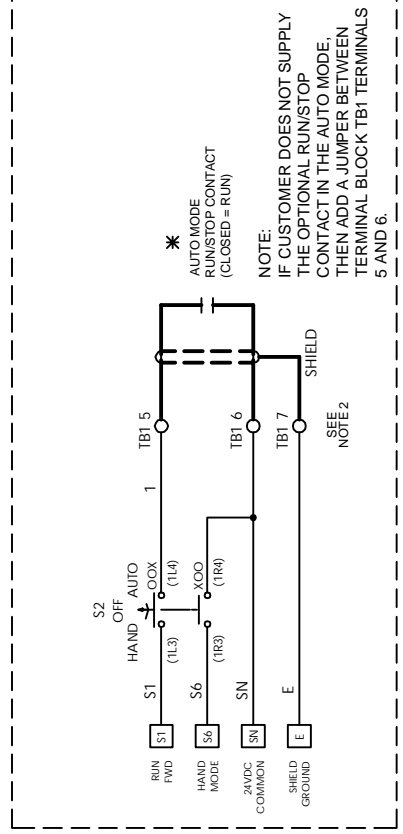
DS.Q1E3.04



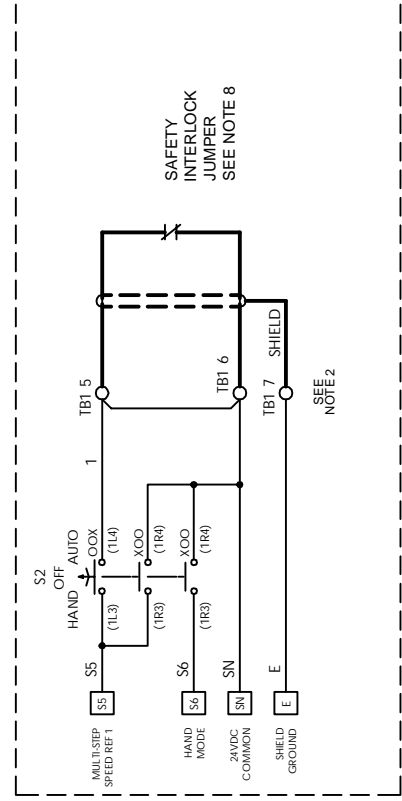
RUN/STOP CONTROL (FROM SHEET 1)



OR



OR



CONTACT SEQUENCE CHART FOR S2
X - INDICATES CONTACT CLOSED

| CONTACT | POSITION | | MANUF. LOCATION /TYPE |
|---------|----------|------|-----------------------|
| | HAND | AUTO | |
| 1 | X | | 1RO |
| 2 | | X | 1LO |

OPTION TY. AND WITHOUT OPTION TD SERIAL COMMUNICATION

CONTACT SEQUENCE CHART FOR S2
X - INDICATES CONTACT CLOSED

| CONTACT | POSITION | | MANUF. LOCATION /TYPE |
|---------|----------|------|-----------------------|
| | HAND | AUTO | |
| 1 | X | | 1RO |
| 2 | | X | 1LO |
| 3 | X | | 2RO |

OPTION TY. AND WITH OPTION TD SERIAL COMMUNICATION

FUSES

| | |
|----|-----|
| F8 | 10A |
| F9 | 10A |

SEE SHEET 1 FOR NOTES.

YASKAWA

THIS DOCUMENT AND INFORMATION CONTAINED IN IT ARE CONFIDENTIAL AND CANNOT BE COPIED OR DISCLOSED IN WHOLE OR IN PART WITHOUT THE EXPRESS WRITTEN CONSENT OF YASKAWA AMERICA, INC.

| | | | | | |
|-------------|------------|------|----------|------|-------------------------|
| DESIGNED BY | A. MEILAHN | DATE | 01/05/17 | REV. | SCHEMATIC DIAGRAM |
| DESIGNED BY | N. LAWS | DATE | 02/10/17 | REV. | LOGIC JUMPER CONFIGURED |
| DESIGNED BY | K. FLIERL | DATE | 02/15/17 | REV. | TYPE 3R - 480V |
| DESIGNED BY | A. MEILAHN | DATE | 01/05/17 | REV. | |

SIZE: D
PAGE: 2 of 2
DRAWING #: DS.Q1E3.04