

- NOTES:
- CONNECTED TO THE CABINET. CUSTOMER TO CONNECT THE CABINET GROUND LUGS TO EARTH GROUND AND UTILITY GROUND. INSULATED TWISTED SHIELDED WIRE IS REQUIRED. SHIELD TO CONNECT TO PROPER TERMINAL AS SHOWN. CONNECT THE SHIELD ONLY AT THIS END. STUB AND ISOLATE THE OTHER END. DO NOT RUN THESE WIRES IN THE SAME CONDUIT AS THE AC POWER AND THE AC CONTROL WIRES. KEEP ALL WIRING UNDER 50mm IN LENGTH.
 - WITH A CONTROL TRANSFORMER, T1, POWER RATING 350VA OR GREATER, SECONDARY FUSE F6 IS ADDED.
 - WITHOUT THE INPUT CIRCUIT BREAKER OPTION PC, OR WHEN NOTED ON THE CABINET NAMEPLATE, BRANCH CIRCUIT PROTECTION MUST BE SUPPLIED BY THE INSTALLER. CUSTOMER TO ADJUST THE THERMOSTAT ON THE SPACE HEATER HR1 FOR THE MINIMUM DESIRED TEMPERATURE INSIDE THE DRIVE CABINET. THIS SET TEMPERATURE IS NORMALLY SELECTED TO BE SLIGHTLY HIGHER THAN THE MINIMUM AMBIENT TEMPERATURE OF THE AIR SURROUNDING THE CABINET AND IS THE TEMPERATURE AT WHICH THE SPACE HEATER HR1 WILL SHUT OFF.
 - CONDUIT FITTINGS/HUBS SHALL COMPLY WITH THE 'STANDARD FOR CONDUIT, TUBING AND CABLE FITTINGS, UL 514B' OR CONDUIT FITTINGS HAVING THE SAME ENVIRONMENTAL RATING AS THE ENCLOSURE SHALL BE USED. TERMINALS p1 AND n1 ARE FOR MOMENTARY POWER LOSS RECOVERY UNIT. DO NOT CONNECT TO AC POWER SUPPLY. CUSTOMER TO REPLACE THE JUMPER WITH NORMALLY CLOSED SAFETY INTERLOCKS, IF APPLICABLE.

— - INDICATES COMPONENTS NOT SUPPLIED BY YASKAWA
 * - INDICATES CUSTOMER WIRING
 ⚡ - CONNECTED TO THE CABINET OR PANEL

SEE DRAWING UDE00538 FOR DRIVE PARAMETERS.
 SEE DRAWING UDE00539 FOR CUSTOMER CONNECTIONS.

YASKAWA

THIS DOCUMENT AND INFORMATION CONTAINED HEREIN ARE CONFIDENTIAL AND CANNOT BE COPIED OR DISCLOSED IN WHOLE OR IN PART WITHOUT THE EXPRESS WRITTEN CONSENT OF YASKAWA AMERICA, INC.

REV.	DESCRIPTION	ECO #	DRAWN BY	DATE
04	FIXED CB1 CONNECTIONS	9683	N. LAWS	06/24/19
03	UPDATED WIRE NUMBER TO SPACE HEATER	9447	N. LAWS	03/14/19

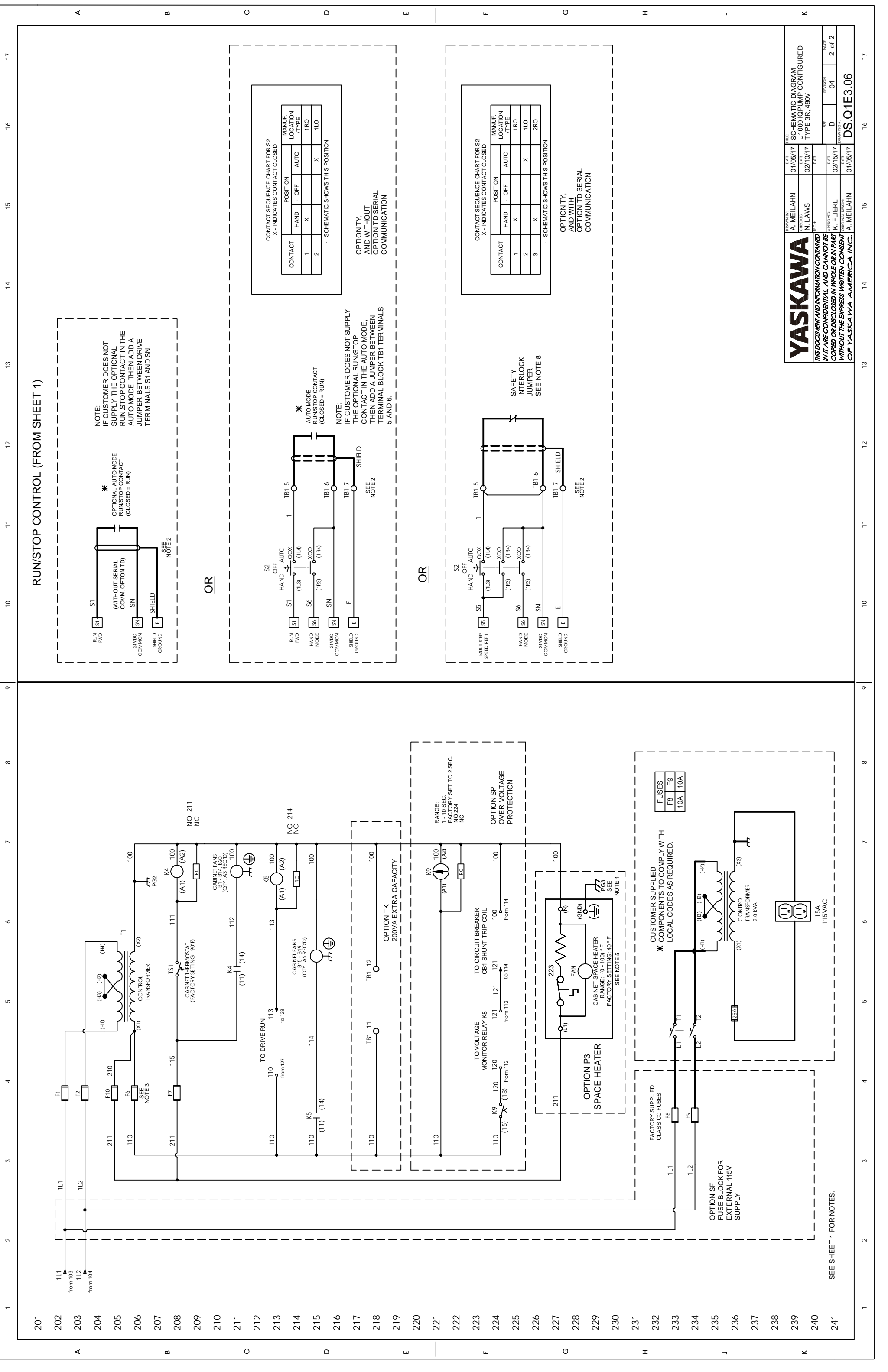
REV.	DATE	BY	CHK'D	DATE	BY
01/05/17	01/05/17	A. MEILAHN	N. LAWS	02/10/17	K. FLIERL
02/10/17	02/15/17	N. LAWS	K. FLIERL	02/15/17	A. MEILAHN

SCHEMATIC DIAGRAM
 U1000 IQPUMP CONFIGURED
 TYPE 3R, 480V

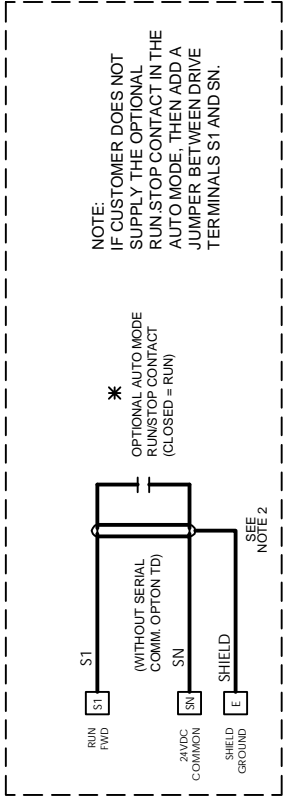
SIZE: 04
 REVISION: D
 DRAWING #
 DATE: 01/05/17

DS.Q1E3.06

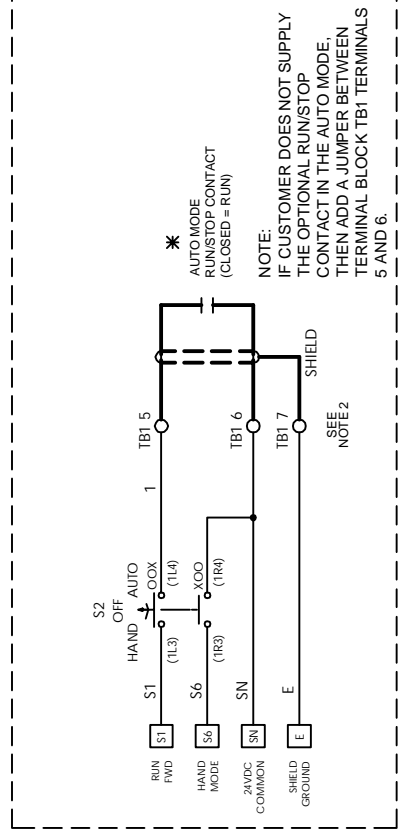
REV.	DESCRIPTION	ECO #	DRAWN BY	DATE
04	FIXED CB1 CONNECTIONS	9683	N. LAWS	06/24/19
03	UPDATED WIRE NUMBER TO SPACE HEATER	9447	N. LAWS	03/14/19



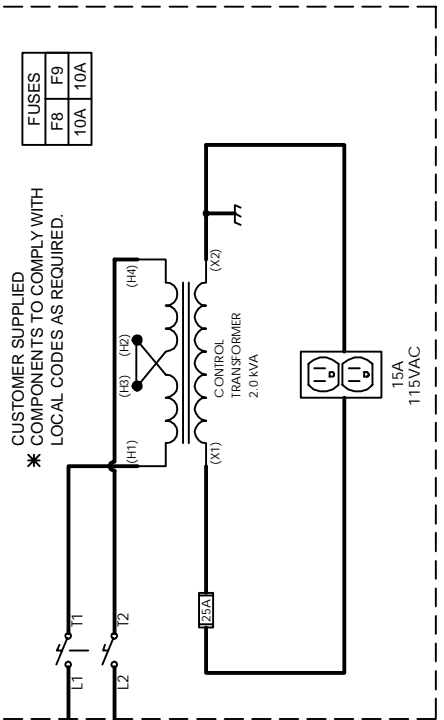
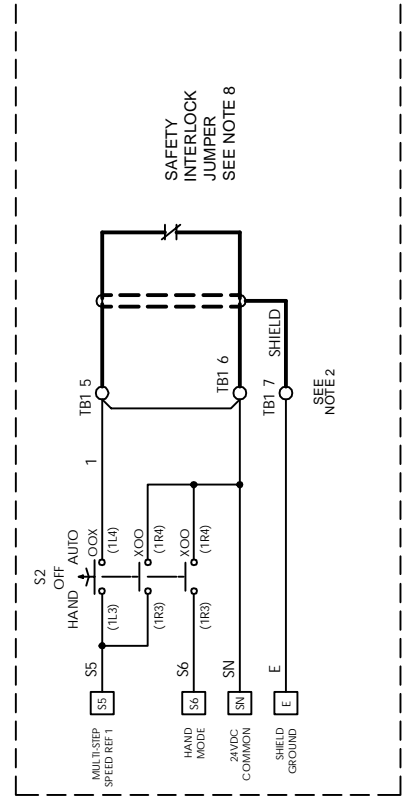
RUN/STOP CONTROL (FROM SHEET 1)



OR



OR



YASKAWA

THIS DOCUMENT AND INFORMATION CONTAINED IN IT ARE CONFIDENTIAL AND CANNOT BE COPIED OR DISCLOSED IN WHOLE OR IN PART WITHOUT THE EXPRESS WRITTEN CONSENT OF YASKAWA AMERICA, INC.

REVISED BY	DATE	REVISION	DESCRIPTION
A. MEILAHN	01/05/17		SCHEMATIC DIAGRAM
N. LAWS	02/10/17		LOGIC OPTION CONFIGURED
K. FLIERL	02/15/17		TYPE 3R - 480V

DATE: 01/05/17
DRAWING #: DS.Q1E3.06
PAGE: 2 of 2