

- NOTES:**
- CONNECTED TO THE CABINET. CUSTOMER TO CONNECT THE CABINET GROUND LUGS TO EARTH GROUND AND UTILITY GROUND. INSULATED TWISTED SHIELDED WIRE IS REQUIRED. SHIELD TO CONNECT TO PROPER TERMINAL AS SHOWN. CONNECT THE SHIELD ONLY AT THIS END. STUB AND ISOLATE THE OTHER END. DO NOT RUN THESE WIRES IN THE SAME CONDUIT AS THE AC POWER AND THE AC CONTROL WIRES. KEEP ALL WIRING UNDER 50mm IN LENGTH.
 - WITH A CONTROL TRANSFORMER, T1, POWER RATING 350VA OR GREATER, SECONDARY FUSE F6 IS ADDED.
 - WITHOUT THE INPUT CIRCUIT BREAKER OPTION PC, OR WHEN NOTED ON THE CABINET NAMEPLATE, BRANCH CIRCUIT PROTECTION MUST BE SUPPLIED BY THE INSTALLER. CUSTOMER TO ADJUST THE THERMOSTAT ON THE SPACE HEATER HR1 FOR THE MINIMUM DESIRED TEMPERATURE INSIDE THE DRIVE CABINET. THIS SET TEMPERATURE IS NORMALLY SELECTED TO BE SLIGHTLY HIGHER THAN THE MINIMUM AMBIENT TEMPERATURE OF THE AIR SURROUNDING THE CABINET AND IS THE TEMPERATURE AT WHICH THE SPACE HEATER HR1 WILL SHUT OFF.
 - CONDUIT FITTINGS/HUBS SHALL COMPLY WITH THE 'STANDARD FOR CONDUIT, TUBING AND CABLE FITTINGS, UL 514B' OR CONDUIT FITTINGS HAVING THE SAME ENVIRONMENTAL RATING AS THE ENCLOSURE SHALL BE USED. TERMINALS p1 AND n1 ARE FOR MOMENTARY POWER LOSS RECOVERY UNIT. DO NOT CONNECT TO AC POWER SUPPLY. CUSTOMER TO REPLACE THE JUMPER WITH NORMALLY CLOSED SAFETY INTERLOCKS, IF APPLICABLE.

— - INDICATES COMPONENTS NOT SUPPLIED BY YASKAWA
 * - INDICATES CUSTOMER WIRING
 ⚡ - CONNECTED TO THE CABINET OR PANEL

SEE DRAWING UDE00538 FOR DRIVE PARAMETERS.
 SEE DRAWING UDE00539 FOR CUSTOMER CONNECTIONS.

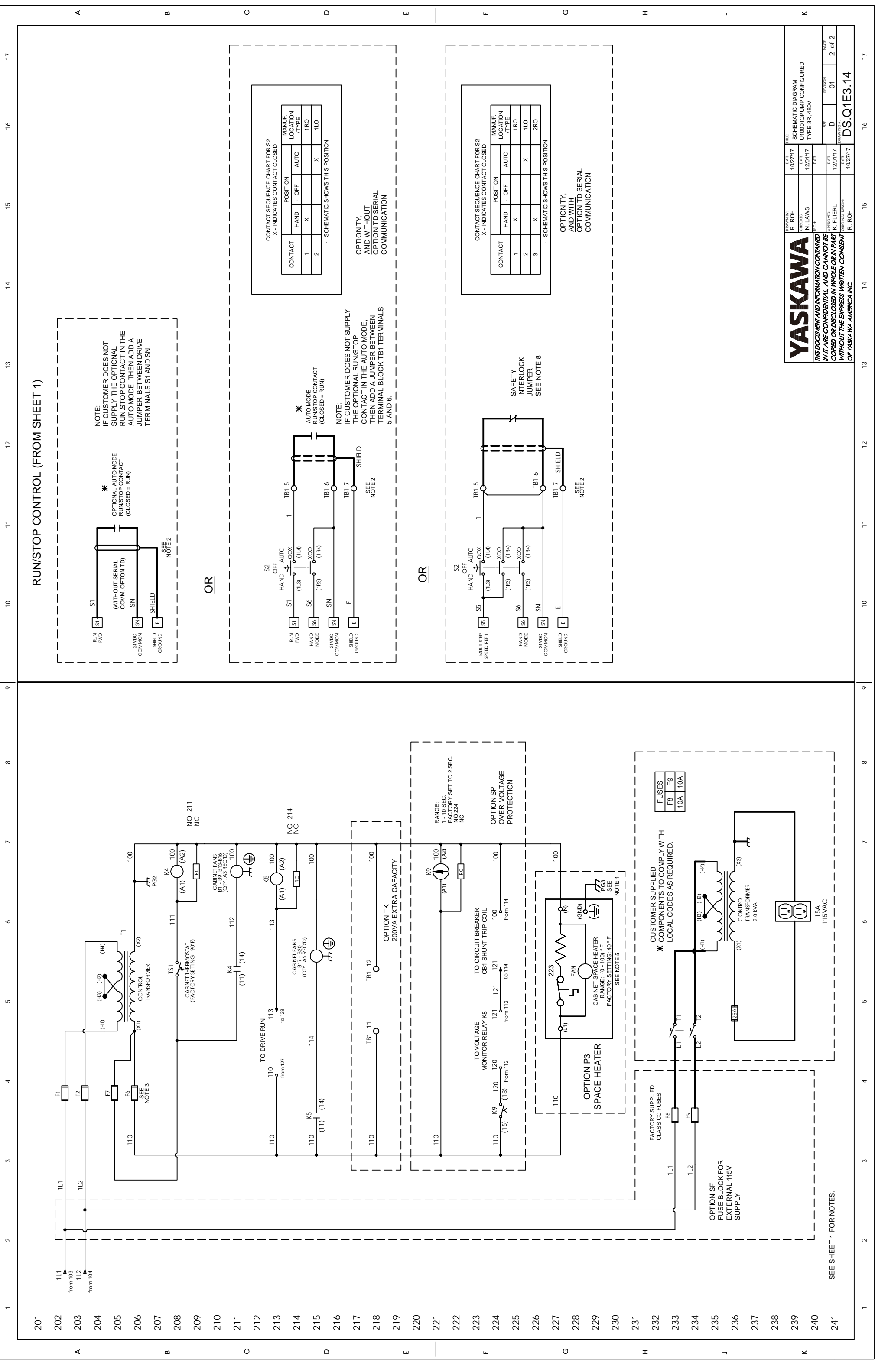
YASKAWA
 THIS DOCUMENT AND INFORMATION CONTAINED
 HEREIN ARE CONFIDENTIAL AND CANNOT BE
 COPIED OR DISCLOSED IN WHOLE OR IN PART
 WITHOUT THE EXPRESS WRITTEN CONSENT
 OF YASKAWA-AMERICA, INC.

REV.	DESCRIPTION	ECO #	DATE	DRAWN BY
01	FIXED CB1 CONNECTIONS	96B3	06/24/19	N. LAWS
00	INITIAL RELEASE	---	12/29/17	R. ROH

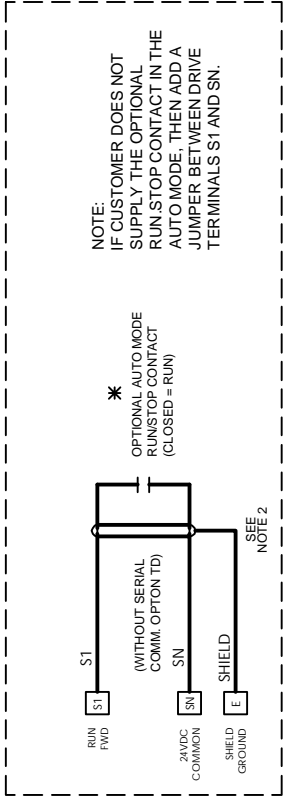
REV.	DESCRIPTION	ECO #	DATE	DRAWN BY
01	FIXED CB1 CONNECTIONS	96B3	06/24/19	N. LAWS
00	INITIAL RELEASE	---	12/29/17	R. ROH

REV.	DESCRIPTION	ECO #	DATE	DRAWN BY
01	FIXED CB1 CONNECTIONS	96B3	06/24/19	N. LAWS
00	INITIAL RELEASE	---	12/29/17	R. ROH

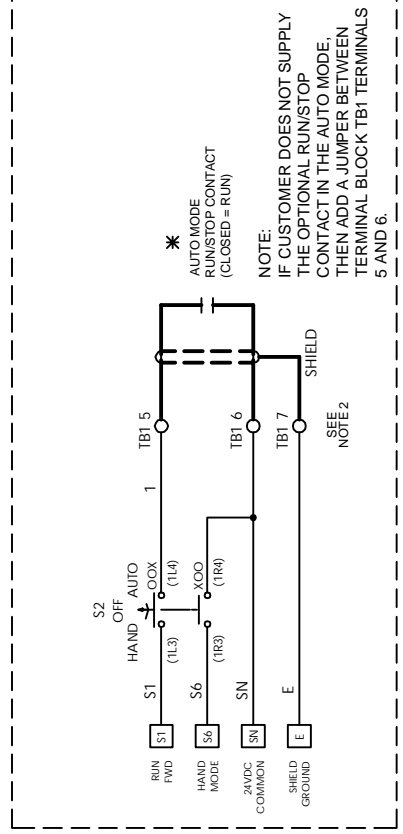
REV.	DESCRIPTION	ECO #	DATE	DRAWN BY
01	FIXED CB1 CONNECTIONS	96B3	06/24/19	N. LAWS
00	INITIAL RELEASE	---	12/29/17	R. ROH



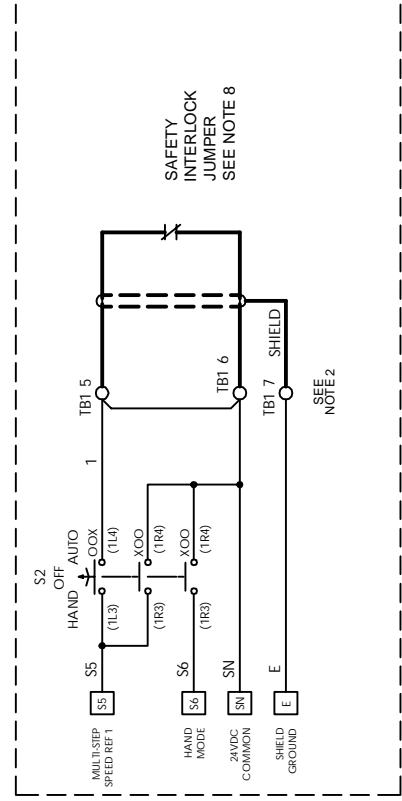
RUN/STOP CONTROL (FROM SHEET 1)



OR



OR



CONTACT SEQUENCE CHART FOR S2
X - INDICATES CONTACT CLOSED

CONTACT	POSITION		MANUF. LOCATION / TYPE
	HAND	AUTO	
1	X		1RO
2		X	1LO

OPTION TY. AND WITHOUT OPTION TD SERIAL COMMUNICATION

CONTACT SEQUENCE CHART FOR S2
X - INDICATES CONTACT CLOSED

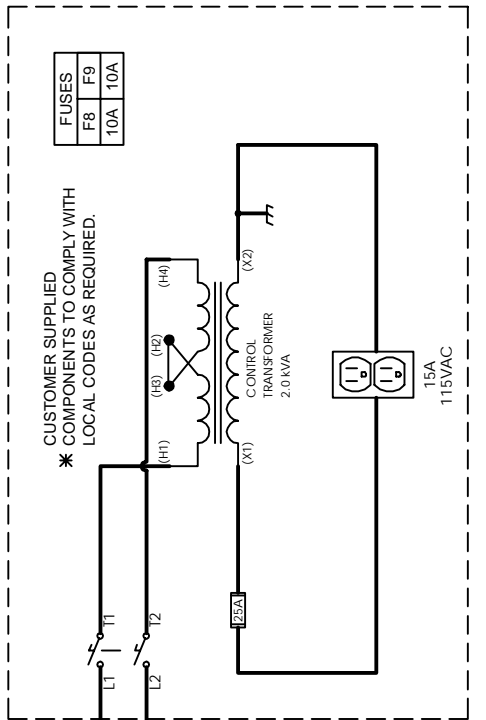
CONTACT	POSITION		MANUF. LOCATION / TYPE
	HAND	AUTO	
1	X		1RO
2		X	1LO
3	X		2RO

OPTION TY. AND WITH OPTION TD SERIAL COMMUNICATION

FUSES

F8	10A
F9	10A

CUSTOMER SUPPLIED COMPONENTS TO COMPLY WITH LOCAL CODES AS REQUIRED.



SEE SHEET 1 FOR NOTES.

YASKAWA

THIS DOCUMENT AND INFORMATION CONTAINED IN IT ARE CONFIDENTIAL AND CANNOT BE COPIED OR DISCLOSED IN WHOLE OR IN PART WITHOUT THE EXPRESS WRITTEN CONSENT OF YASKAWA-AMERICA, INC.

REVISED BY	R. ROH	DATE	10/27/17
DESIGNED BY	N. LAWS	DATE	12/01/17
REVIEWED BY	K. FLIERL	DATE	12/01/17
APPROVED BY	R. ROH	DATE	10/27/17

TITLE: SCHEMATIC DIAGRAM
U1000/IGPUMP-CONFIGURED
TYPE 3R, 480V

SIZE: D
DRAWING #

DS-Q1E3.14

PAGE: 2 of 2