

- NOTES:**
- CONNECTED TO THE CABINET. CUSTOMER TO CONNECT THE CABINET GROUND LUGS TO EARTH GROUND AND UTILITY GROUND.
  - INSULATED TWISTED SHIELDED WIRE IS REQUIRED. SHIELD TO CONNECT TO PROPER TERMINAL AS SHOWN. CONNECT THE SHIELD ONLY AT THIS END. STUB AND ISOLATE THE OTHER END. DO NOT RUN THESE WIRES IN THE SAME CONDUIT AS THE AC POWER AND THE AC CONTROL WIRES. KEEP ALL WIRING UNDER 50m IN LENGTH.
  - WITH A CONTROL TRANSFORMER, T1, POWER RATING 350VA OR GREATER, SECONDARY FUSE FB IS ADDED.
  - WITHOUT THE INPUT CIRCUIT BREAKER OPTION PC, OR WHEN NOTED ON THE CABINET NAMEPLATE, BRANCH CIRCUIT PROTECTION MUST BE SUPPLIED BY THE INSTALLER.
  - CUSTOMER TO ADJUST THE THERMOSTAT ON THE SPACE HEATER HR1 FOR THE MINIMUM DESIRED TEMPERATURE INSIDE THE DRIVE CABINET. THIS SET TEMPERATURE IS NORMALLY SELECTED TO BE SLIGHTLY HIGHER THAN THE MINIMUM AMBIENT TEMPERATURE OF THE AIR SURROUNDING THE CABINET AND IS THE TEMPERATURE AT WHICH THE SPACE HEATER HR1 WILL SHUT OFF.
  - CONDUIT FITTINGS/HUBS SHALL COMPLY WITH THE STANDARD FOR CONDUIT, TUBING, AND CABLE FITTINGS, UL 514B OR CONDUIT FITTINGS HAVING THE SAME ENVIRONMENTAL RATING AS THE ENCLOSURE SHALL BE USED.
  - TERMINALS P1 AND P1 ARE FOR MOMENTARY POWER LOSS RECOVERY UNIT. DO NOT CONNECT TO AC POWER SUPPLY.
  - CUSTOMER TO REPLACE THE JUMPER WITH NORMALLY CLOSED SAFETY INTERLOCKS, IF APPLICABLE.

— INDICATES COMPONENTS NOT SUPPLIED BY YASKAWA  
 \* INDICATES CUSTOMER WIRING  
 ⚡ - CONNECTED TO THE CABINET OR PANEL

SEE DRAWING UDE00538 FOR DRIVE PARAMETERS.  
 SEE DRAWING UDE00539 FOR CUSTOMER CONNECTIONS.



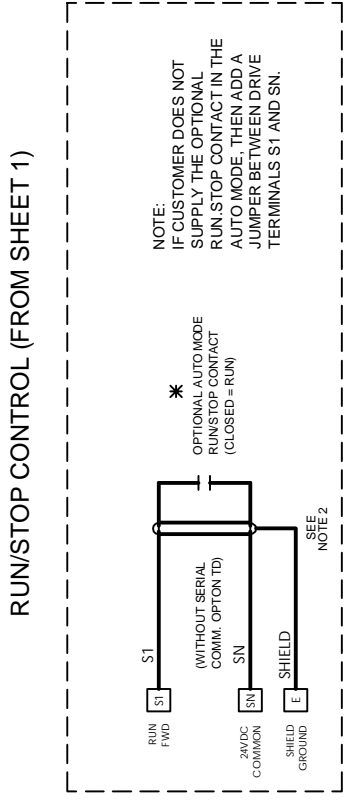
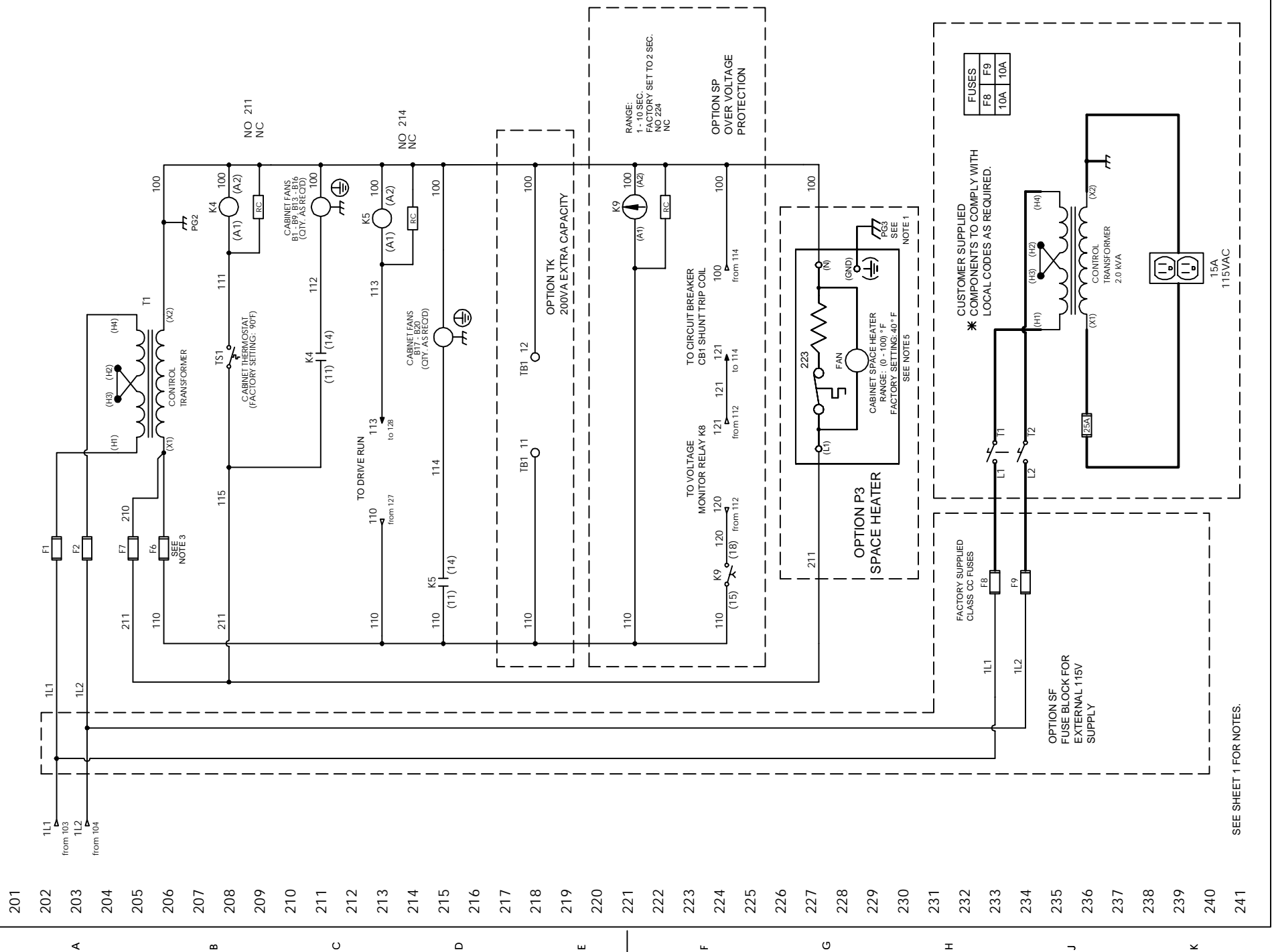
**THIS DOCUMENT AND INFORMATION CONTAINED HEREIN ARE CONFIDENTIAL AND CANNOT BE COPIED OR DISCLOSED IN WHOLE OR IN PART WITHOUT THE EXPRESS WRITTEN CONSENT OF YASKAWA AMERICA INC.**

REV.	DESCRIPTION	ECO#	DRAWN BY	DATE
02	FIXED CB1 CONNECTIONS	9683	NSL	06/24/19
01	UPDATED WIRE NUMBER TO SPACE HEATER	9447	NSL	03/15/19
00	INITIAL RELEASE	-	RCR	12/29/17

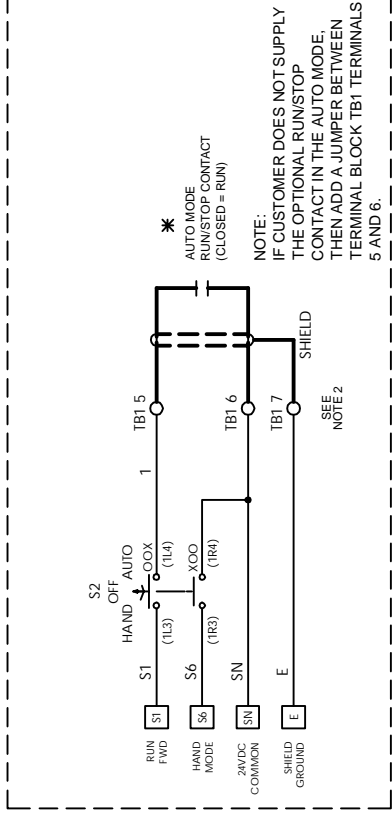
DATE	DATE	DATE	DATE
10/27/17	12/01/17	12/01/17	10/27/17

DATE	DATE	DATE	DATE
10/27/17	12/01/17	12/01/17	10/27/17

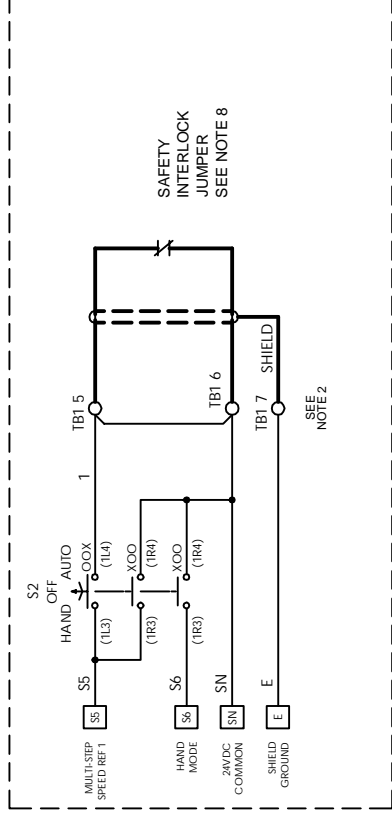
DATE	DATE	DATE	DATE
10/27/17	12/01/17	12/01/17	10/27/17



OR



OR



CONTACT SEQUENCE CHART FOR S2  
X - INDICATES CONTACT CLOSED

CONTACT	POSITION		MANUF. LOCATION /TYPE
	HAND	AUTO	
1	X		1RO
2		X	1LO

SCHEMATIC SHOWS THIS POSITION.

OPTION TY, AND WITH OPTION TD SERIAL COMMUNICATION

CONTACT SEQUENCE CHART FOR S2  
X - INDICATES CONTACT CLOSED

CONTACT	POSITION		MANUF. LOCATION /TYPE
	HAND	AUTO	
1	X		1RO
2		X	1LO
3	X		2RO

SCHEMATIC SHOWS THIS POSITION.

OPTION TY, AND WITH OPTION TD SERIAL COMMUNICATION

**YASKAWA**  
THIS DOCUMENT AND INFORMATION CONTAINED IN IT ARE CONFIDENTIAL AND CANNOT BE COPIED OR DISCLOSED IN WHOLE OR IN PART WITHOUT THE EXPRESS WRITTEN CONSENT OF YASKAWA AMERICA INC.

DRAWN BY R. ROH	CHECKED N. LAWS	DATE 10/27/17	DATE 12/01/17
APPROVED K. FLIERL	DATE 12/01/17	DATE 10/27/17	DATE 10/27/17

SCHEMATIC DIAGRAM  
U1000 IQJUMP CONFIGURED  
TYPE 3R, 480V

SIZE D 02  
PAGE 2 OF 2  
DRAWING # DS.Q1E3.15

SEE SHEET 1 FOR NOTES.