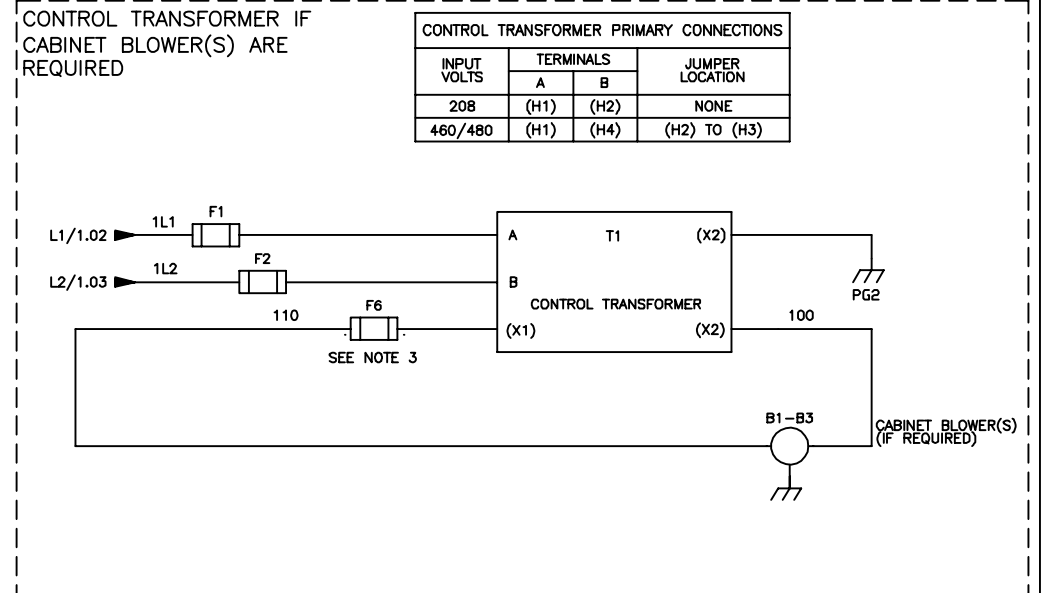


- NOTES:
- CONNECTED TO THE CABINET. CUSTOMER TO CONNECT THE CABINET GROUND LUG TO EARTH GROUND.
  - WITHOUT THE INPUT CIRCUIT BREAKER OPTION PC BRANCH CIRCUIT PROTECTION MUST BE SUPPLIED BY THE INSTALLER.
  - WITH A CONTROL TRANSFORMER, T1, POWER RATING 350VA OR GREATER, SECONDARY FUSE F6 IS ADDED.
  - INSULATED TWISTED SHIELDED WIRE IS REQUIRED. SHIELD TO CONNECT TO PROPER TERMINAL AS SHOWN. CONNECT THE SHIELD ONLY AT THIS END. STUB AND ISOLATE THE OTHER END. DO NOT RUN THESE WIRES IN THE SAME CONDUIT AS THE AC POWER AND THE AC CONTROL WIRES.
  - CONDUIT FITTINGS/HUBS SHALL COMPLY WITH THE 'STANDARD FOR CONDUIT, TUBING, AND CABLE FITTINGS, UL 514B'. OR CONDUIT FITTINGS HAVING THE SAME ENVIRONMENTAL RATING AS THE ENCLOSURE SHALL BE USED.
  - TERMINALS p1 AND n1 ARE FOR MOMENTARY POWER LOSS RECOVERY UNIT. DO NOT CONNECT TO AC POWER SUPPLY.



\* INDICATES COMPONENTS NOT SUPPLIED BY YASKAWA.

— INDICATES CUSTOMER WIRING.

SEE DRAWING UDE00680 FOR DRIVE PARAMETERS.

SEE DRAWING UDE00686 FOR CUSTOMER CONNECTION TABLES.

REVISIONS				
REV.	DESCRIPTION	ECD #	DRAWN BY	DATE
03	CHANGD PM OPTION TO PC	12906	K.LEIN	2/23/23
02	REMOVED TS1 THERMOSTAT,UPDATED TITLEBLOCK	12656	C. MAREK	10/17/22
01	UPDATE U1000 DRIVE BLOCK	11178	NSL	2/24/21

**YASKAWA**

DRAWN BY: N. LAWS	DATE: 12/23/20	TITLE: SCHEMATIC DIAGRAM U1000 CONFIGURED TYPE 1
CHECKED: K. PEOPLES	DATE: 01/04/21	
APPROVED: R. JENSEN	DATE: 01/05/21	
ORIGINAL DESIGNER: N. LAWS	DATE: 12/23/20	

SIZE: D	REVISION: 03	PAGE: 1 of 1
DRAWING #: DS.U1E1.01		

THIS DOCUMENT AND INFORMATION CONTAINED IN IT ARE CONFIDENTIAL, AND CANNOT BE COPIED OR DISCLOSED IN WHOLE OR IN PART WITHOUT THE EXPRESS WRITTEN CONSENT OF YASKAWA AMERICA INC.