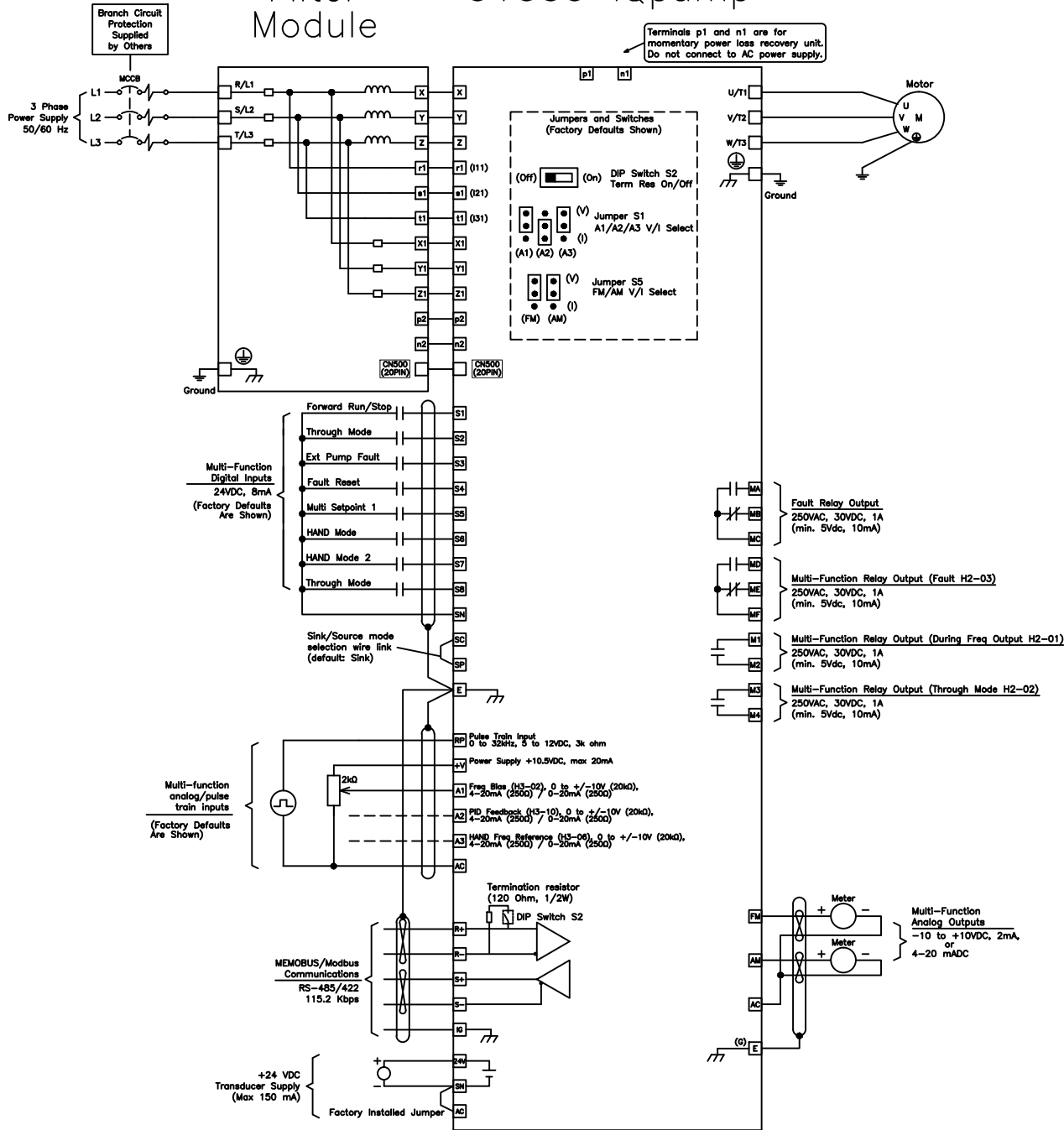


# Filter Module U1000 iQpump



Terminals p1 and n1 are for momentary power loss recovery unit. Do not connect to AC power supply.

Multi-Function Digital Inputs  
24VDC, 8mA  
(Factory Defaults Are Shown)

Multi-function analog/pulse train inputs  
(Factory Defaults Are Shown)

MEMOBUS/Modbus Communications  
RS-485/422  
115.2 Kbps

+24 VDC Transducer Supply  
(Max 150 mA)

MA MB MC MD ME MF  
Multi-Function Relay Output  
250VAC, 30VDC, 1A  
(min. 5Vdc, 10mA)

MA1 MA2 MA3  
Multi-Function Relay Output (Fault H2-03)  
250VAC, 30VDC, 1A  
(min. 5Vdc, 10mA)

MA1 MA2  
Multi-Function Relay Output (During Freq Output H2-01)  
250VAC, 30VDC, 1A  
(min. 5Vdc, 10mA)

MA3 MA4  
Multi-Function Relay Output (Through Mode H2-02)  
250VAC, 30VDC, 1A  
(min. 5Vdc, 10mA)

FM AM AC  
Multi-Function Analog Outputs  
-10 to +10VDC, 2mA,  
or  
4-20 mA DC



DRWN.	J. MATTAS	2-15-18
CHKD.	J. PIOTROWSKI	2-20-18
UNITS	-	-
TECH.	-	-
SCALE	-	-
APRV.	T. UCHINO	2-23-18

TITLE  
U1000 iQpump DRIVE, FRAME 7  
STANDARD CONNECTION DIAGRAM

SIZE A PAGE 1 OF 1  
DWG.NO. DS.UW1000.02

REV 0