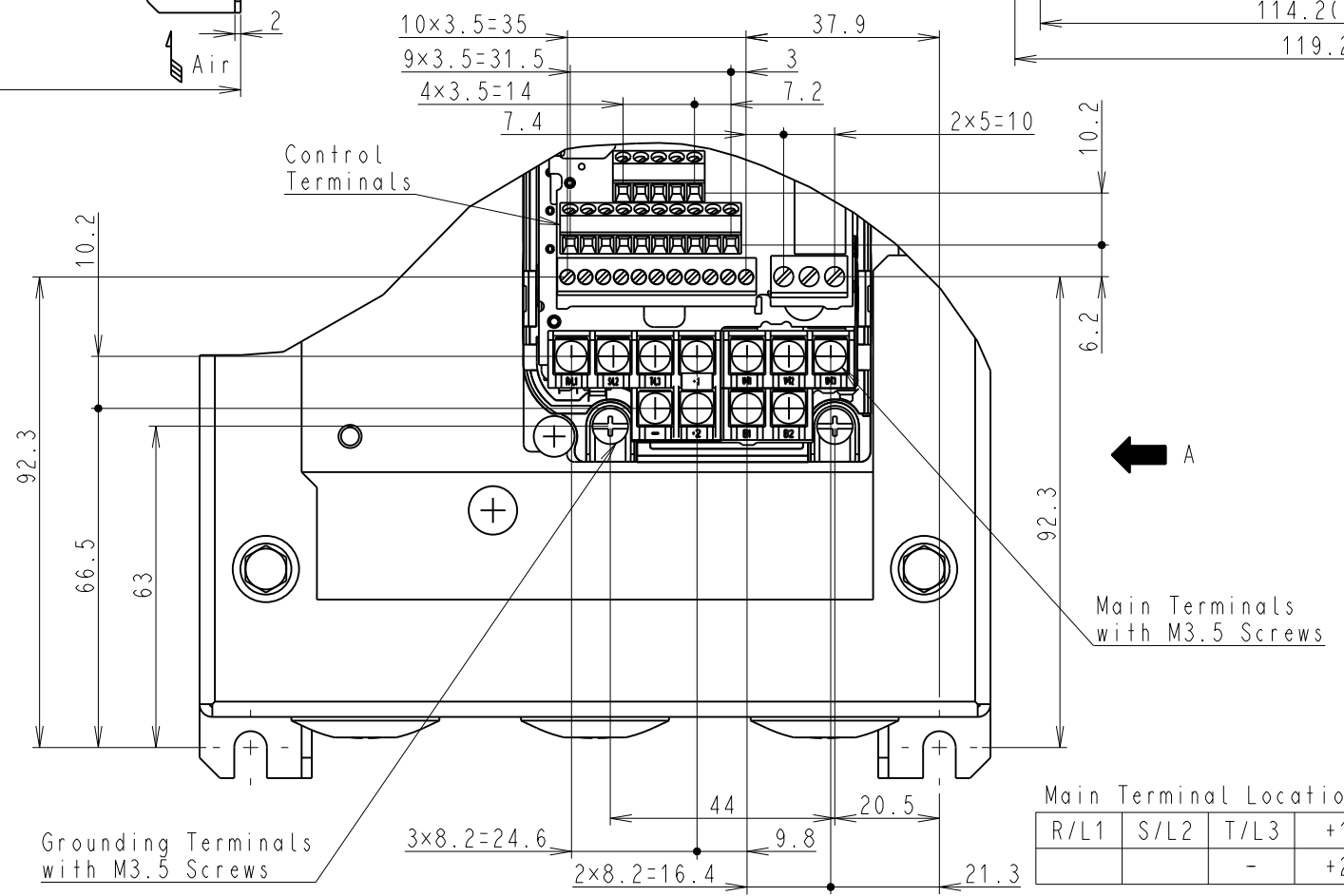
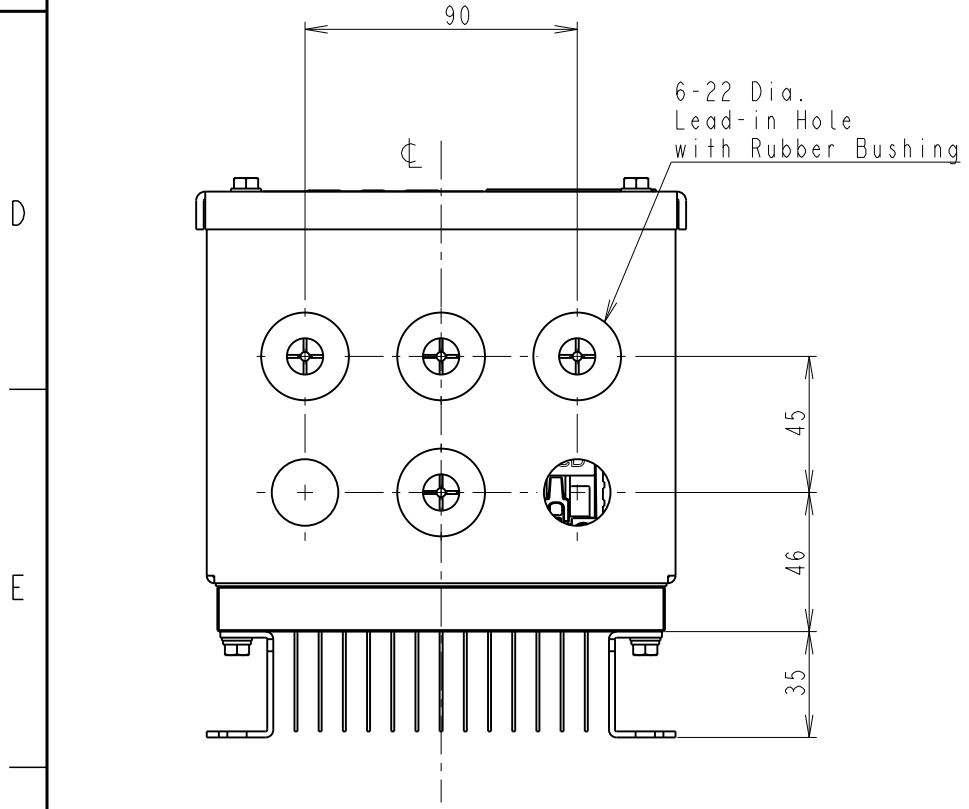
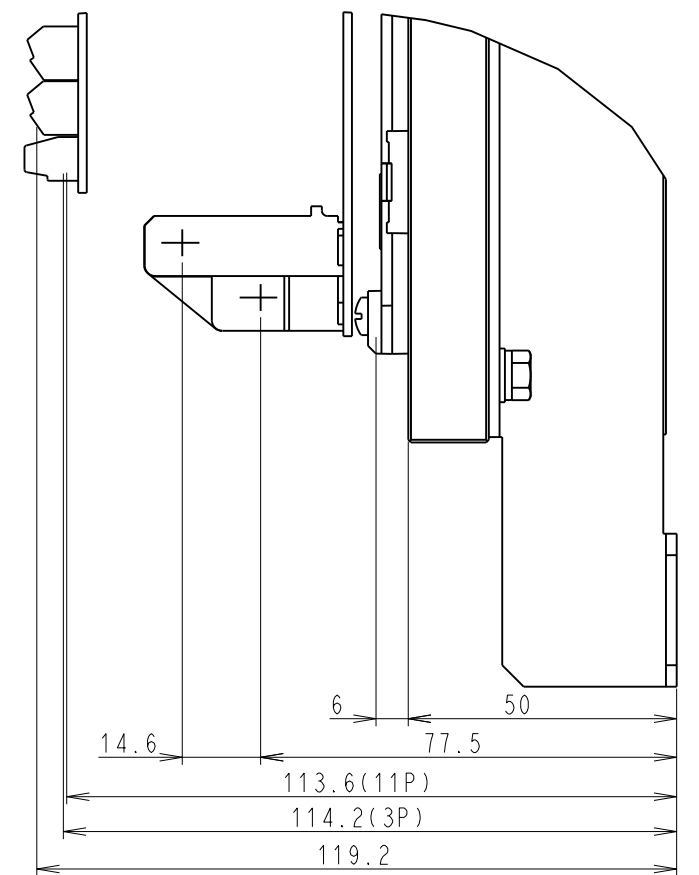
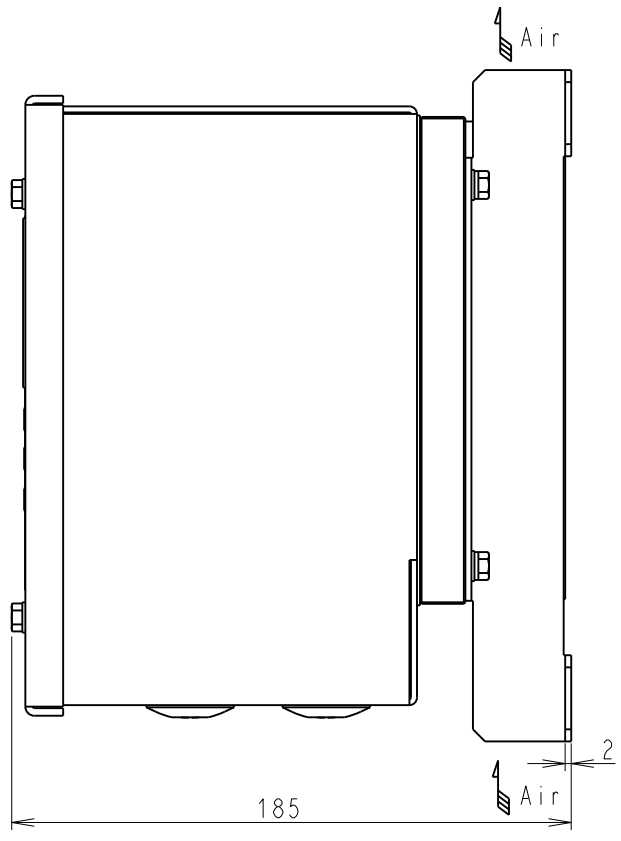
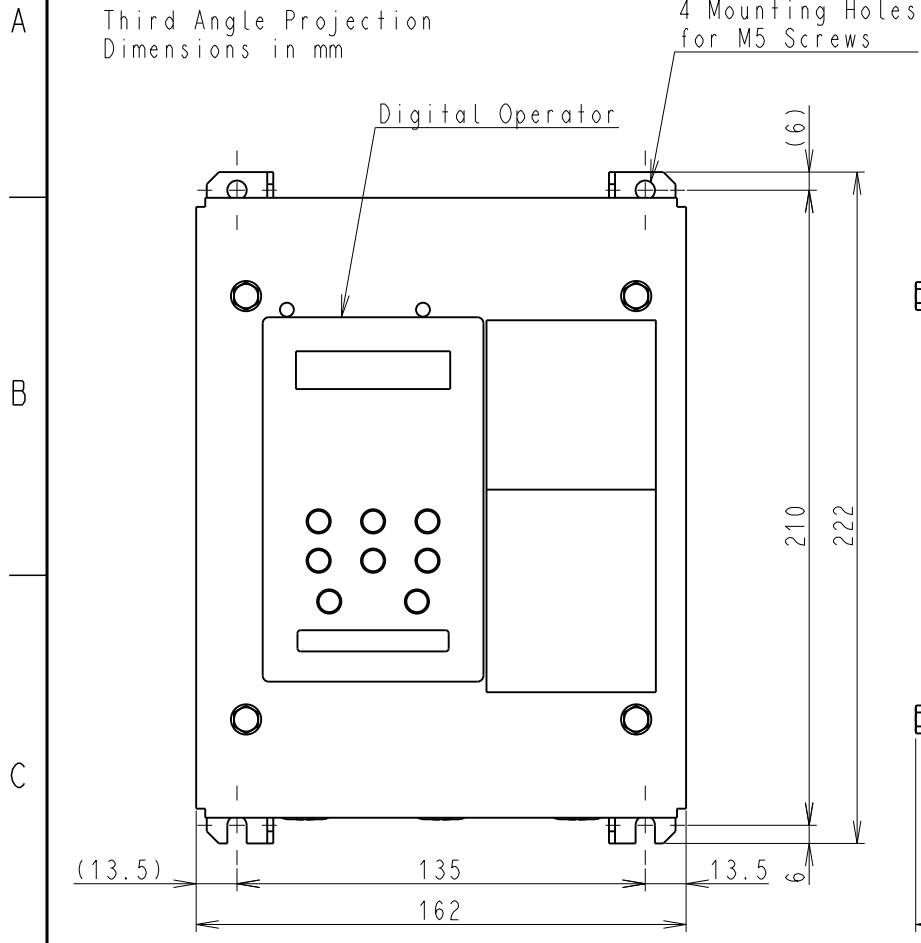


DWG. NO. EZZ901706-1/1

Model No.	Max Appli. Motor (kW)		Terminal Symbol			Cooling Fan	Mass (kg)
	Normal Duty	Heavy Duty	INPUT	OUTPUT(MOTOR)			
CIMR-V#BA0003G	0.75	0.4	R/L1 S/L2	U/T1	V/T2 W/T3	-	4.9



Main Terminal Location

R/L1	S/L2	T/L3	+1	U/T1	V/T2	W/T3
		-	+2	B1	B2	

Detail (without Front cover) SCALE 1:√2

REVISIONS	SCALE 1 : 2.5		DRAW. Jul.17,2008 A.Yoshimoto CHECK Jul.17,2008 K.Fukuda APPR. Jul.17,2008 H.Okayama	TITLE V1000 NEMA4X/IP66 TYPE DIMENSION DIAGRAM	DWG. NO. EZZ901706	REV. 1 1
-----------	---------------	--	--	---	--------------------	-------------