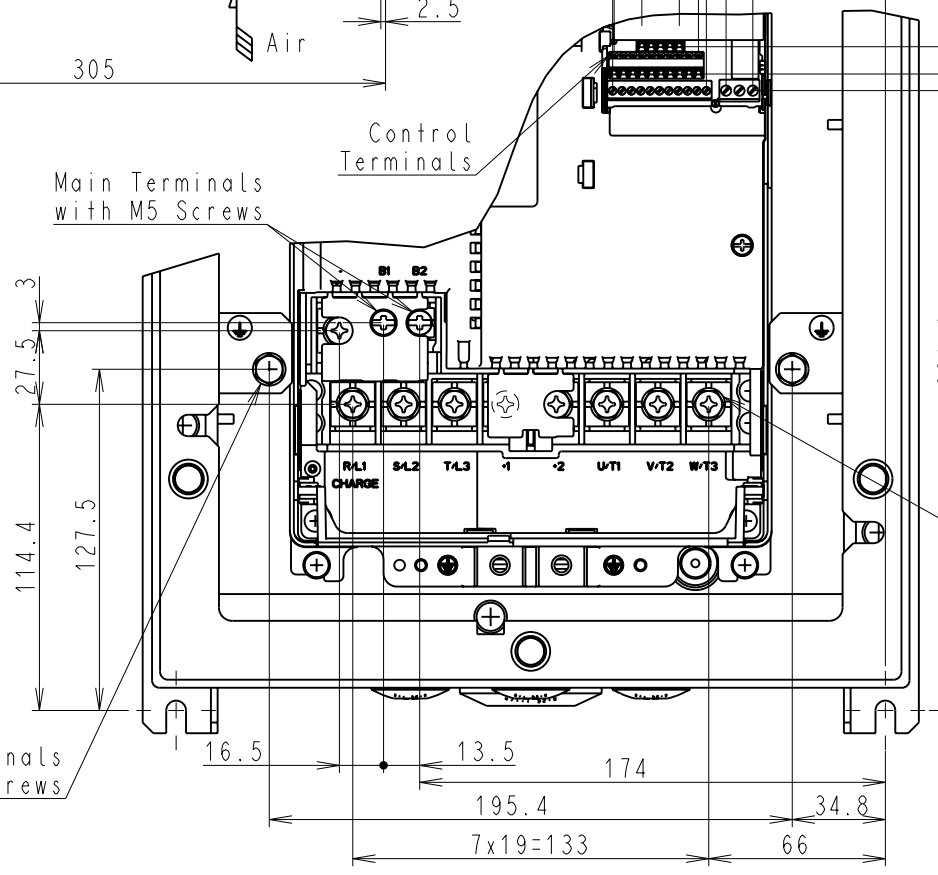
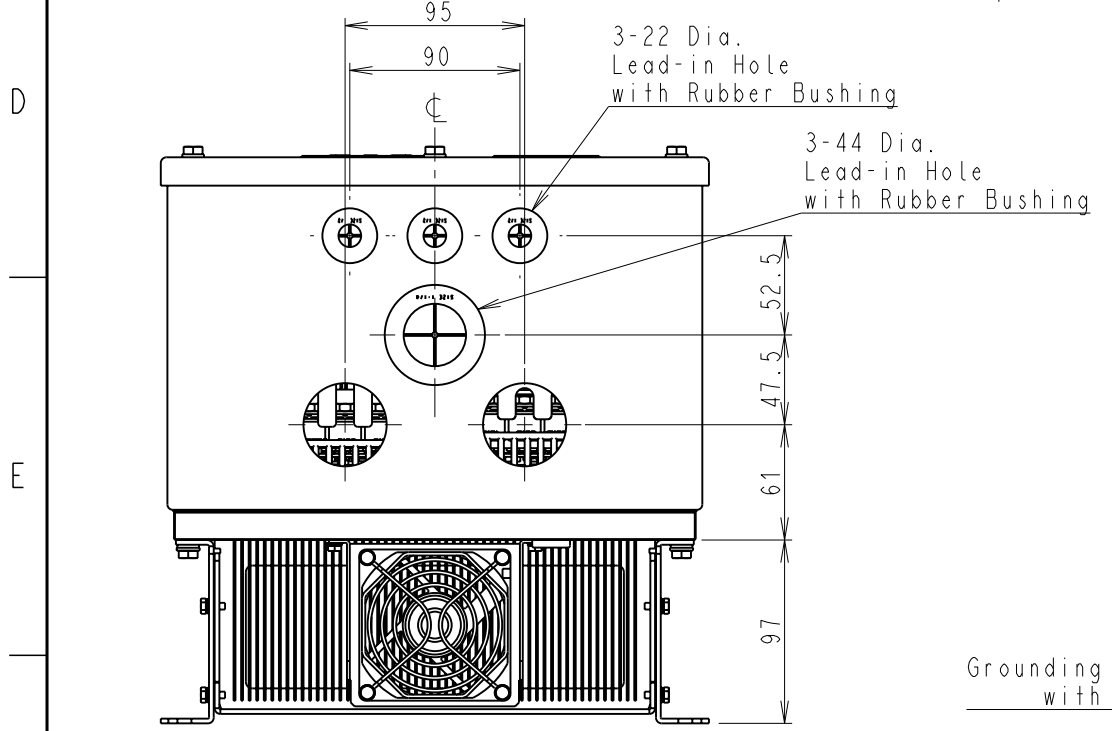
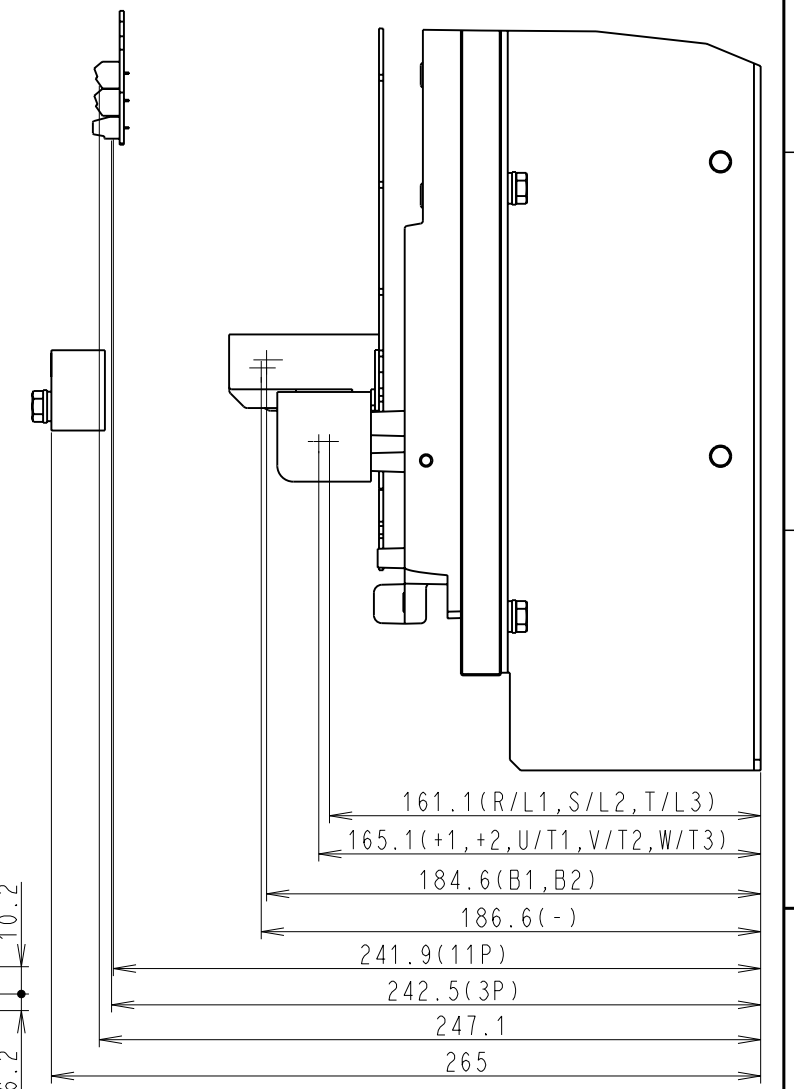
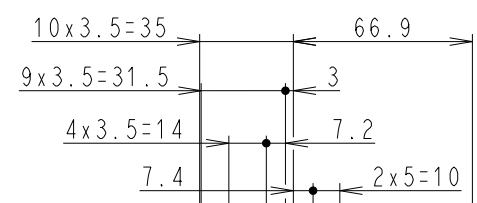
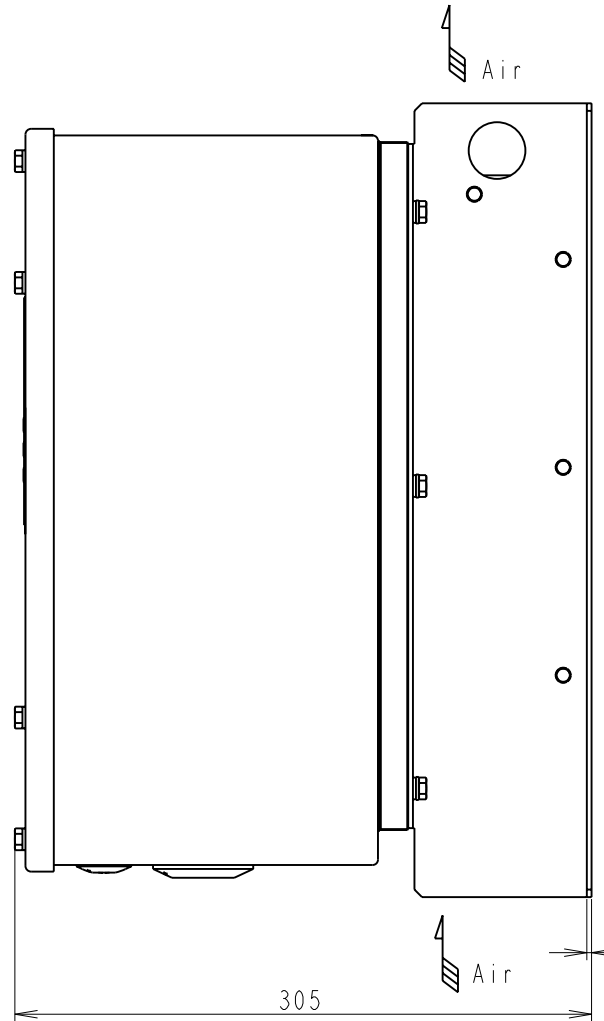
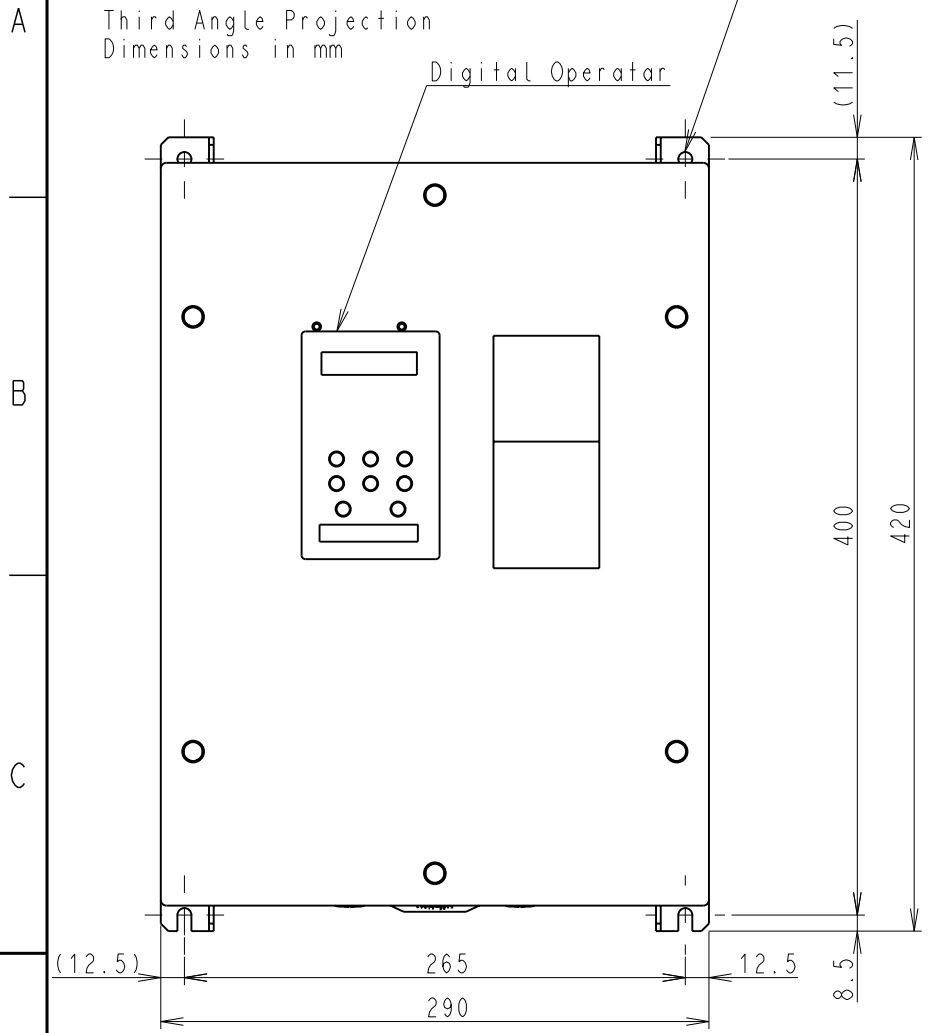


DWG. NO. EZZ901741-1/1

4 Mounting Holes for M6 Screws

Model No.	Max Appli. Motor (kW)		Terminal Symbol			Cooling Fan	Mass (kg)
	Normal Duty	Heavy Duty	INPUT	OUTPUT(MOTOR)			
CIMR-V#2A0056G	15	11	R/L1 S/L2 T/L3	U/T1	V/T2 W/T3	1	23.2

#:A,U



Main Terminal Location

-	B1	B2					
R/L1	S/L2	T/L3	+1	+2	U/T1	V/T2	W/T3

SCALE 1:4

Detail (without Front cover) SCALE 1:2√2

REVISIONS	Nov. 27. 2008	T. Koura		<table border="1"> <tr> <td>DRAW.</td> <td>Jul. 17, 2008</td> <td>M. Aruji</td> </tr> <tr> <td>CHECK</td> <td>Jul. 17, 2008</td> <td>K. Fukuda</td> </tr> <tr> <td>APPR.</td> <td>Jul. 17, 2008</td> <td>H. Okayama</td> </tr> </table>	DRAW.	Jul. 17, 2008	M. Aruji	CHECK	Jul. 17, 2008	K. Fukuda	APPR.	Jul. 17, 2008	H. Okayama	<table border="1"> <tr> <td>TITLE</td> <td>V1000 NEMA4X/IP66 TYPE</td> </tr> <tr> <td>DIMENSION DIAGRAM</td> <td></td> </tr> </table>	TITLE	V1000 NEMA4X/IP66 TYPE	DIMENSION DIAGRAM		<table border="1"> <tr> <td>DWG. NO.</td> <td>EZZ901741</td> <td>REV.</td> <td>1</td> </tr> <tr> <td></td> <td></td> <td></td> <td>1</td> </tr> </table>	DWG. NO.	EZZ901741	REV.	1				1
	DRAW.	Jul. 17, 2008		M. Aruji																							
	CHECK	Jul. 17, 2008		K. Fukuda																							
APPR.	Jul. 17, 2008	H. Okayama																									
TITLE	V1000 NEMA4X/IP66 TYPE																										
DIMENSION DIAGRAM																											
DWG. NO.	EZZ901741	REV.	1																								
			1																								
SCALE - : -																											