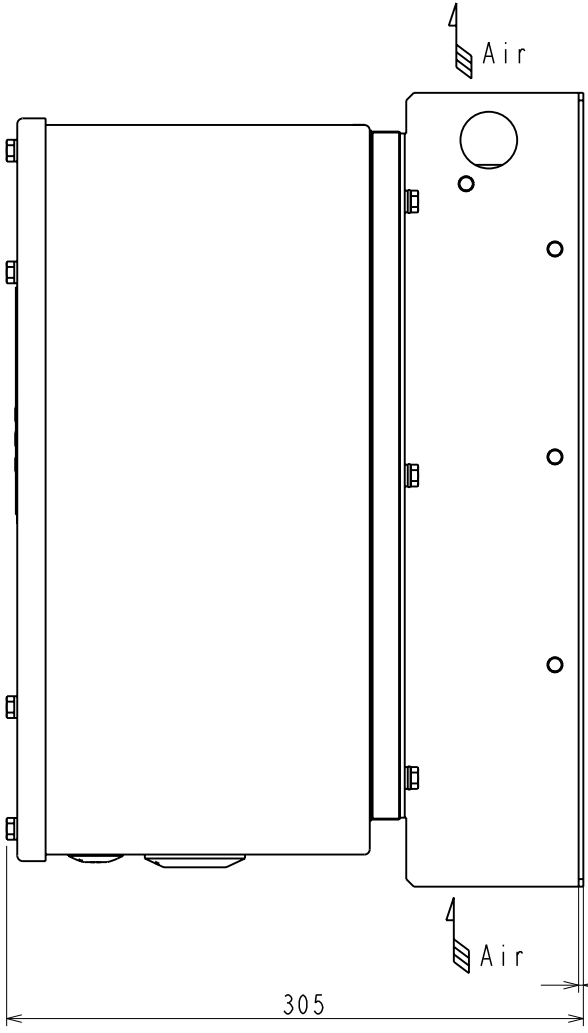
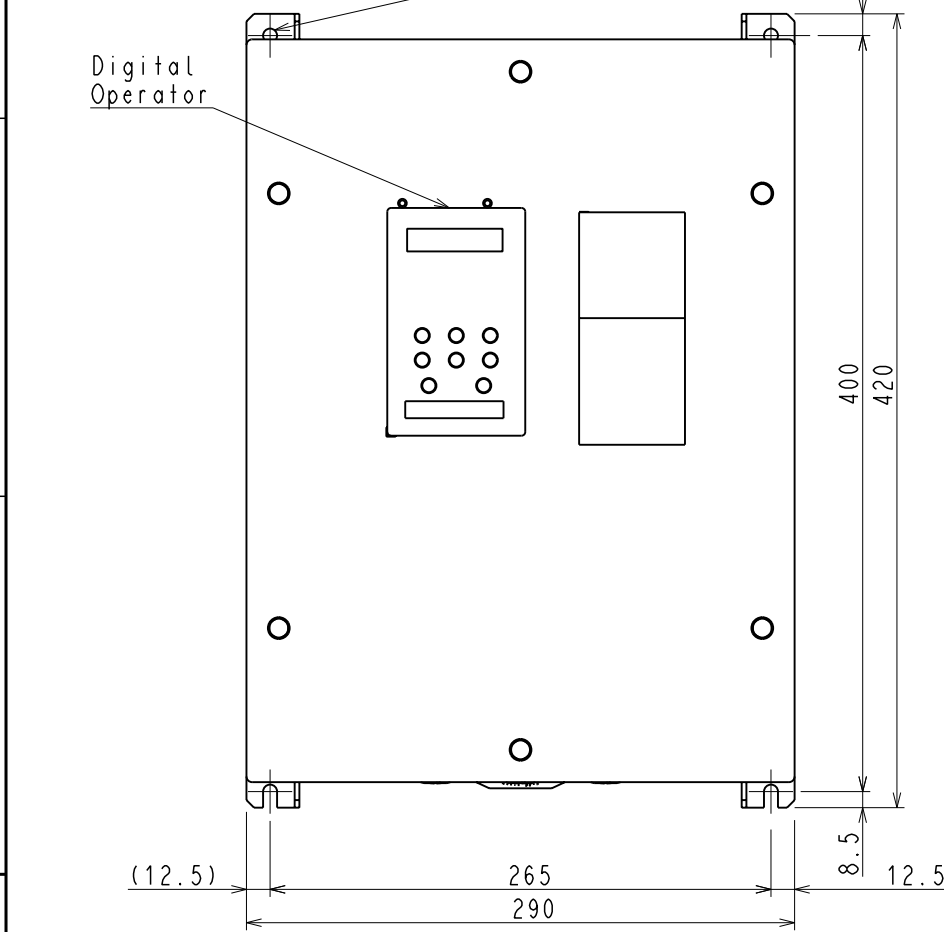


DWG. NO. EZZ901742-1/1

Third Angle Projection
Dimensions in mm

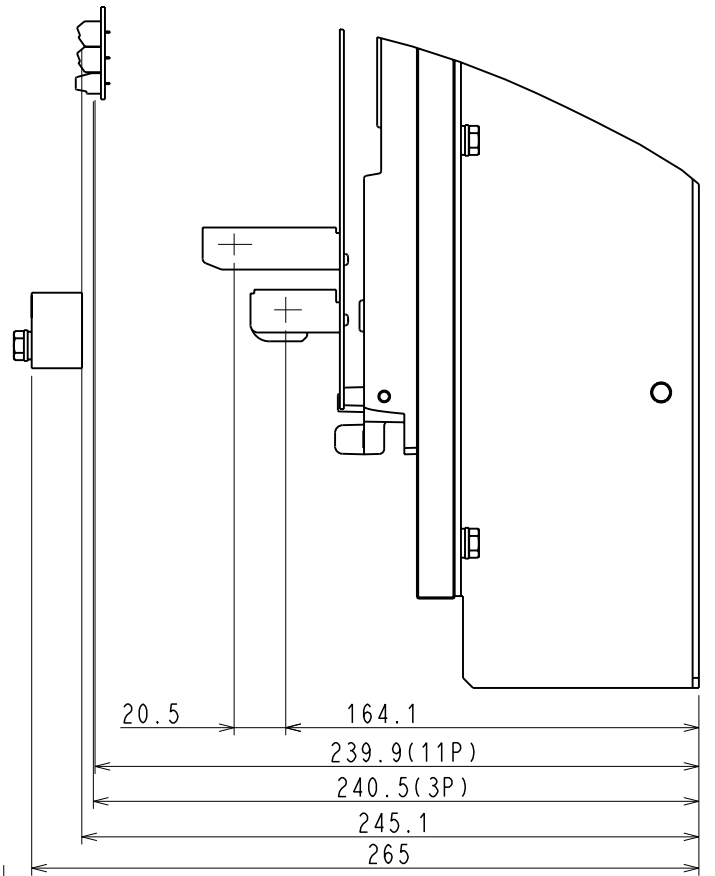
4 Mounting Holes
for M6 Screws

Digital
Operator

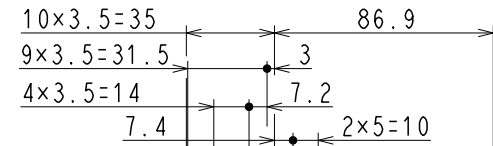


Model No.	Max Appli. Motor (kW)		Terminal Symbol			Cooling Fan	Mass (kg)
	Normal Duty	Heavy Duty	INPUT	OUTPUT(MOTOR)			
CIMR-V#2A0030G	7.5	5.5	R/L1 S/L2 T/L3	U/T1 V/T2 W/T3		1	21.8
CIMR-V#2A0040G	11	7.5					21.8
CIMR-V#4A0018G	7.5	5.5					21.7
CIMR-V#4A0023G	11	7.5					21.8

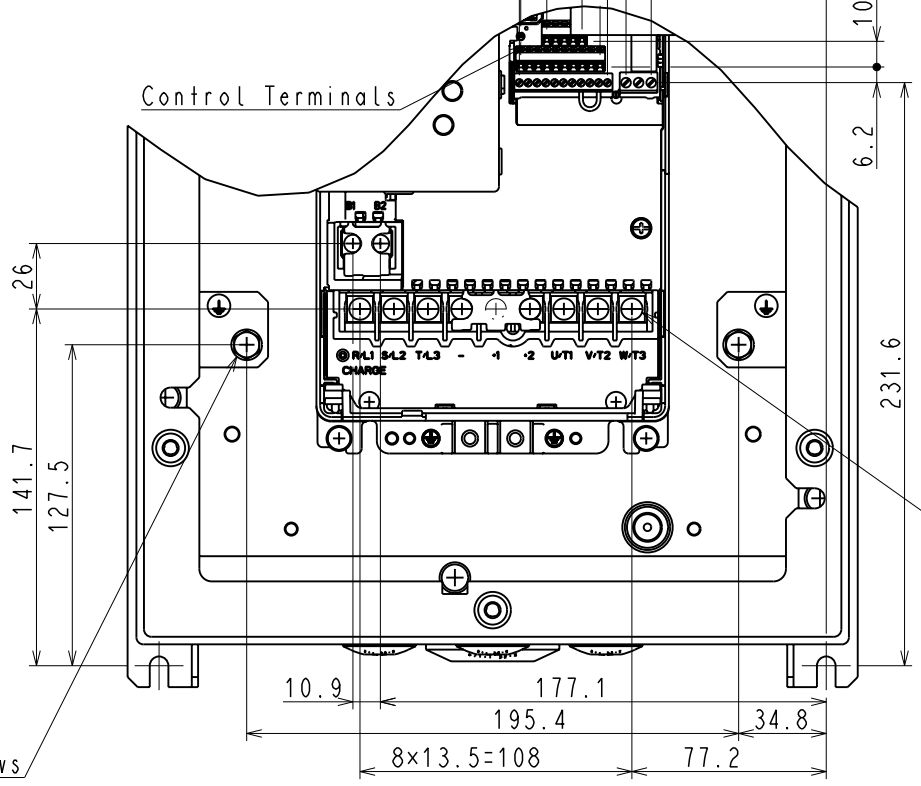
#: A, U



View A



Control Terminals



Grounding
Terminals
with M6 Screws

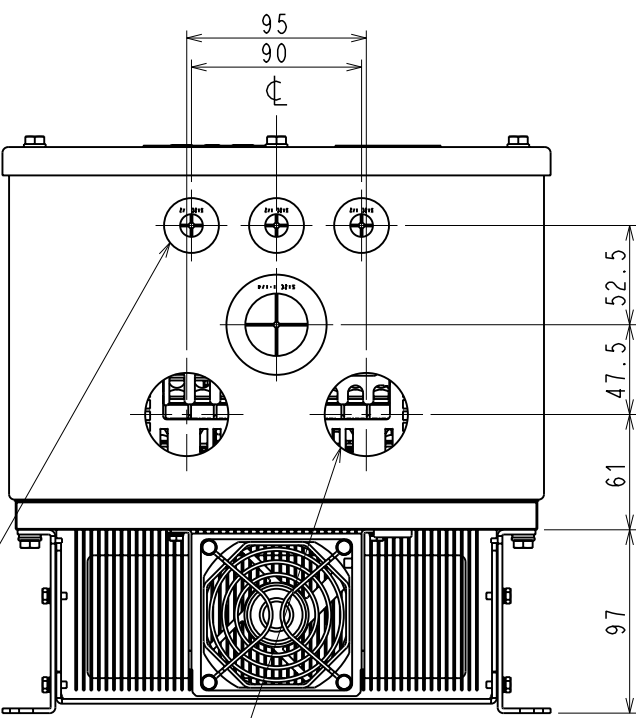
Main Terminal Location

B1	B2									
R/L1	S/L2	T/L3	-	+1	+2	U/T1	V/T2	W/T3		



Main Terminals
with M4 Screws

Detail (without Front cover) SCALE 1:3



3-22 Dia.
Lead-in Hole
with Rubber Bushing

3-44 Dia.
Lead-in Hole
with Rubber Bushing

SCALE 1:4

REVISIONS	1	Nov. 27, 2008	T. Koura		<table border="1"> <tr> <td>DRAW.</td> <td>Jul. 17, 2008</td> <td>Y. Nakano</td> </tr> <tr> <td>CHECK</td> <td>Jul. 17, 2008</td> <td>K. Fukuda</td> </tr> <tr> <td>APPR.</td> <td>Jul. 17, 2008</td> <td>H. Okayama</td> </tr> </table>	DRAW.	Jul. 17, 2008	Y. Nakano	CHECK	Jul. 17, 2008	K. Fukuda	APPR.	Jul. 17, 2008	H. Okayama	<table border="1"> <tr> <td>TITLE</td> <td>V1000 NEMA4X/IP66 TYPE</td> </tr> <tr> <td>DIMENSION DIAGRAM</td> <td></td> </tr> </table>	TITLE	V1000 NEMA4X/IP66 TYPE	DIMENSION DIAGRAM		<table border="1"> <tr> <td>DWG. NO.</td> <td>EZZ901742</td> <td>1</td> </tr> <tr> <td>REV.</td> <td></td> <td>1</td> </tr> </table>	DWG. NO.	EZZ901742	1	REV.		1
	DRAW.	Jul. 17, 2008	Y. Nakano																							
	CHECK	Jul. 17, 2008	K. Fukuda																							
APPR.	Jul. 17, 2008	H. Okayama																								
TITLE	V1000 NEMA4X/IP66 TYPE																									
DIMENSION DIAGRAM																										
DWG. NO.	EZZ901742	1																								
REV.		1																								
SCALE - : -																										