

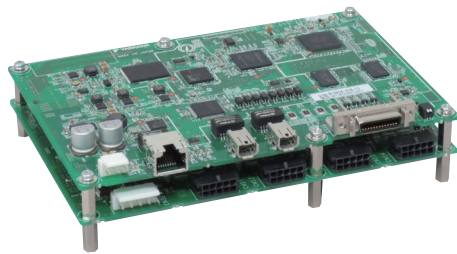
Sigma-MD A01

SERVOPACK: SGD-V-A01E□M3A (DC Power Input)

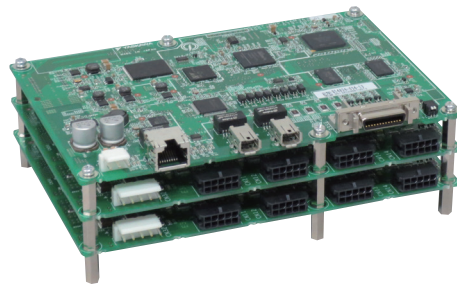
Servomotor: SGM-MV

Flexible SERVOPACK for Multi-Axis Control

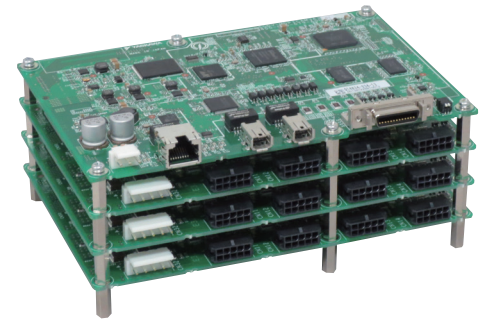
- Save space with this compact SERVOPACK that can be incorporated into mobile parts, such as chip mounters.
- Select configurations of 4 axes, 8 axes, or 12 axes for the same mounting space with this SERVOPACK's compact design with power board extensions.



4 Axes



8 Axes



12 Axes

Features

Flexibility

- The number of axes can be increased by adding power boards (1 power board controls 4 axes.)
- Power boards can be added or reduced depending on the desired application.

Smaller Mounting Space*¹

- Requires about 26% less mounting space with 4-axis configuration
- Requires about 47% less mounting space with 8-axis configuration
- Requires about 52% less mounting space with 12-axis configuration

High Control Performance

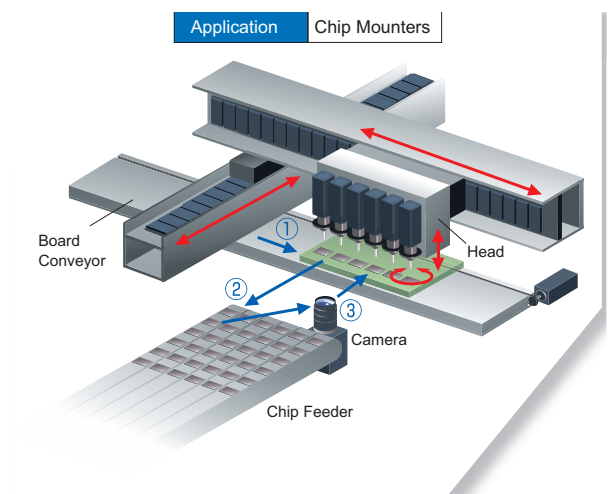
- Delivers the same control performance as a Sigma-5 SERVOPACK.

Less Wiring

- Features a sharp reduction in the number of power and communication cables*².

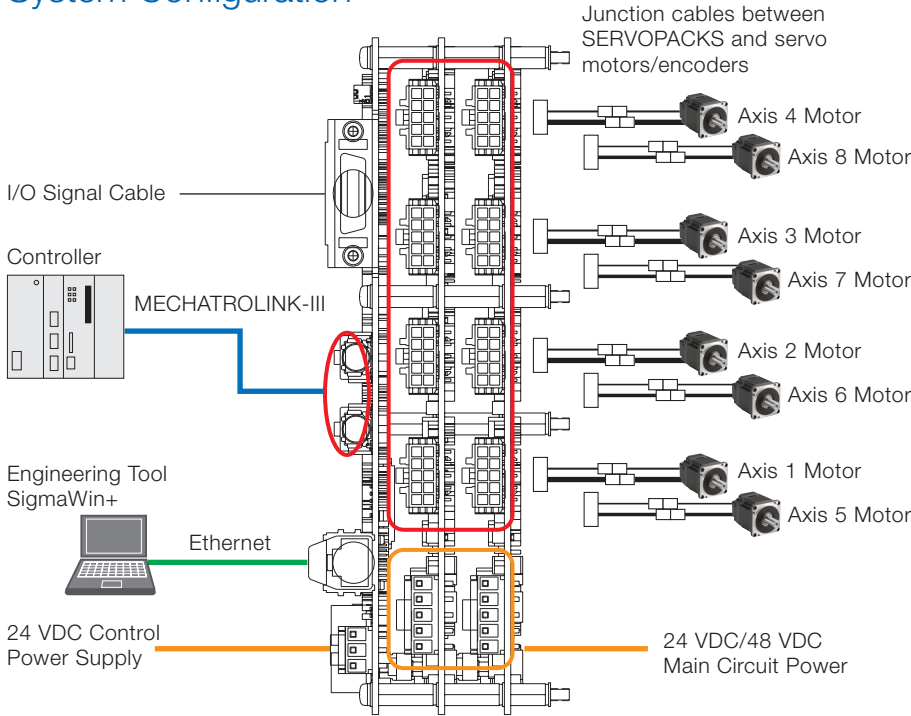
*1: Compared to a configuration of 8 Sigma-5 SERVOPACKS with DC input

*2: Each power board must be connected to the main circuit power supply.



Sigma-MD A01

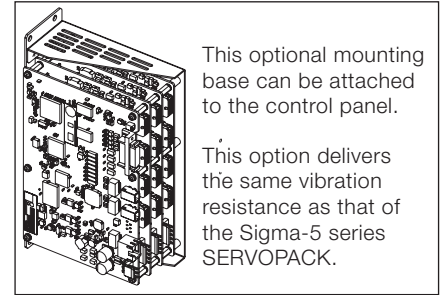
System Configuration



Basic Specifications

SERVOPACK Model	SGDV-MDA01E4M3A	SGDV-MDA01E8M3A	SGDV-MDA01ECM3A
Number of Axes	4	8	12
Interface	MECHATROLINK-III (transmission cycle: 250 μ s to 4 ms)		
Input Power Supply	Main circuit: 24 VDC/48 VDC; Control circuit: 24 VDC		
Operating Conditions*	Surrounding air temperature: 0°C to +55°C Vibration resistance: 49m/s ² (5G) [4.9m/s ² (0.5G) when using optional mounting base] Shock resistance: 147m/s ² (15G) [19.6 m/s ² (2G) when using optional mounting base]		
International Standards	CE, KC, RoHS		
Functions & Control Performance	Equivalent to Sigma-5 SERVOPACKs (does not support the tests without motor function)		
Tools	SigmaWin+ (connected with controller via Ethernet and MECHATROLINK)		
I/O Signals	Input: 8 ch (for overtravel, latch, origin search) Output: 8 ch (for brake control)		
Mass	262 g	388 g	517 g
Size	170 mm × 115 mm × 40 mm	170 mm × 115 mm × 57 mm	170 mm × 115 mm × 79 mm

Optional Mounting Base



SERVOPACK Model with optional base	Number of Axes
SGDV-MDA01E4M3A02	4
SGDV-MDA01E8M3A02	8
SGDV-MDA01ECM3A02	12

Applicable Servo Motors

Servo Motor Model	Rated Output
SGMMV-B3E	3.3 W
SGMMV-B5E	5.5 W
SGMMV-B9E	11 W
SGMMV-A1E	10 W
SGMMV-A2E	20 W
SGMMV-A3E	30 W

Refer to Sigma-7 Technical Supplement (Document No. YAI-KAEPS80000123 for specifications and dimensions

Dimensions in mm

